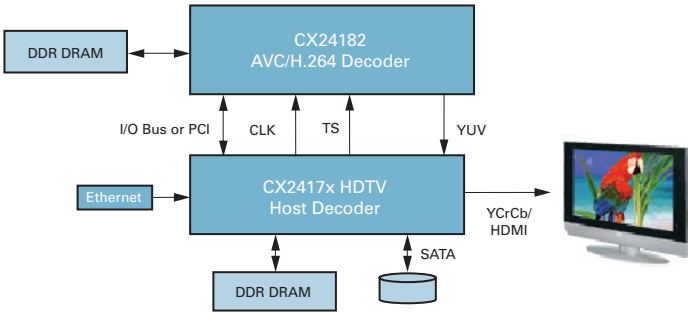


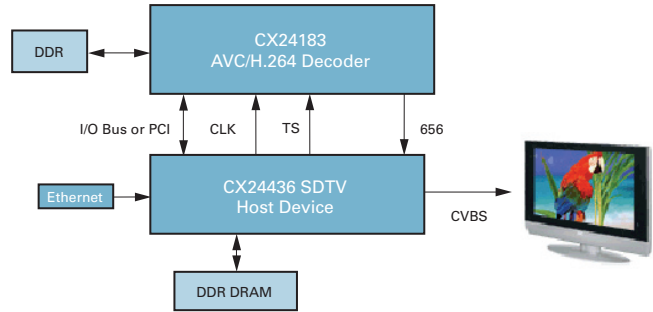


The company's broad portfolio of semiconductor products also includes client-side DSL and cable modem solutions, home network processors, broadcast video encoders and decoders, digital STB components and systems solutions, and dial-up modems. In addition to its IEEE 802.11a/b/g-compliant wireless local area network (WLAN) chipsets, software, and reference

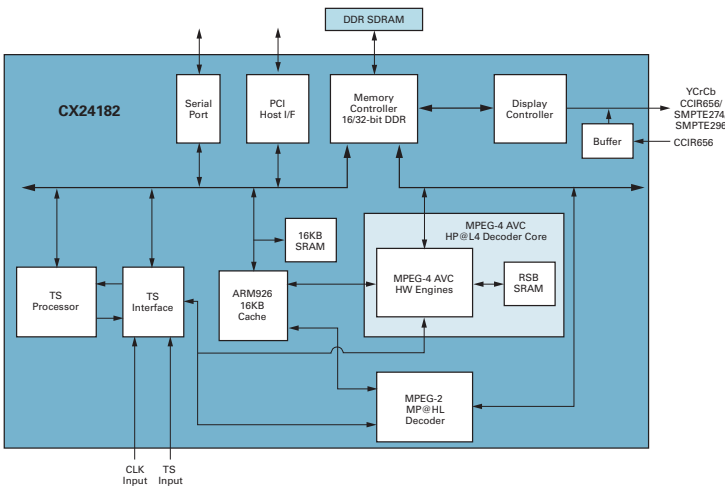
designs, Conexant offers a suite of networking components that includes solutions for applications based on HomePlug® and HomePNA™. Additional products include a complete line of asymmetric and symmetric DSL central office solutions, which are used by service providers worldwide to deliver broadband data, voice, and video over copper telephone lines.



HDTV with AVC/H.264 STB System Diagram



SDTV with AVC/H.264 STB System Diagram



MPEG-4 AVC/H.264 Video Decoder Block Diagram

CX2418x Part Number & Feature Matrix					
Part Number	AVC/H.264 Main Profile	AVC/H.264 High Profile	SDTV Interface	HDTV Interface	MPEG-2 Decode
CX24182		X	X	X	X
CX24183		X	X		X

© 2005, Conexant Systems, Inc. All Rights Reserved. Conexant and the Conexant logo are registered trademarks of Conexant Systems, Inc. All other trademarks are owned by their respective owners. Although Conexant strives for accuracy in all its publications, this material may contain errors or omissions and is subject to change without notice. **THIS MATERIAL IS PROVIDED AS IS AND WITHOUT ANY EXPRESS OR IMPLIED WARRANTIES, INCLUDING MERCHANTABILITY, FITNESS FOR A PARTICULAR PURPOSE AND NON-INFRINGEMENT.** Conexant shall not be liable for any special, indirect, incidental or consequential damages as a result of its use.

www.conexant.com
General Information:
 U.S. and Canada: (888) 855-4562
 International: (732) 345-7500
 Headquarters
 4000 MacArthur Blvd.
 Newport Beach, CA 92660
 Order# 102551B

