

Description

The YB1520 is a step-up DC-DC converter; operates as current source to drive up to 9 white LEDs in series or 30 white LEDs in parallel/series configuration. Series connecting of the LEDs provides identical LED currents resulting in uniform brightness and eliminating the need for ballast resistors. The light intensity of these LEDs is proportional to the current passing through them. The YB1520 switches at a fixed frequency of 700KHz, allowing the use of tiny, low profile inductors and capacitors to minimize footprint and cost in space consideration applications for cellular phone backlighting or other hand held equipment.

The YB1520 can drive up to 9 white LEDs from a single Li-Ion battery and drive up to 30 white LEDs from a 5V. The wide input voltage range from 2.7V to 16V is ideal for portable and automotive (5V/12V) applications with higher conversion efficiency. To control LED brightness, the LED current can be pulsed by applying a PWM (pulse width modulated) signal with a frequency range of 100Hz to 50KHz to the CTRL pin.

YB1520 has integrated Over Voltage Protection that prevents damage to the device in case of a high impedance output due to faulty LED or open circuit caused by abnormal conditions.

Features

- Built-in internal switch
- Adjustable output voltage up to 35V
- 2.7V to 16V input range
- <1uA shutdown current
- High efficiency
- Drives up to 30 white LEDs in
- Parallel/series
- Over voltage protection
- Small 5-Lead SOT-23 package

Applications

- LCD Display Module
- White LED Backlighting
- PDAs, GPS terminals
- Digital Cameras
- Cellular Phone
- Electronic Books
- Portable Applications

Typical Application Circuit

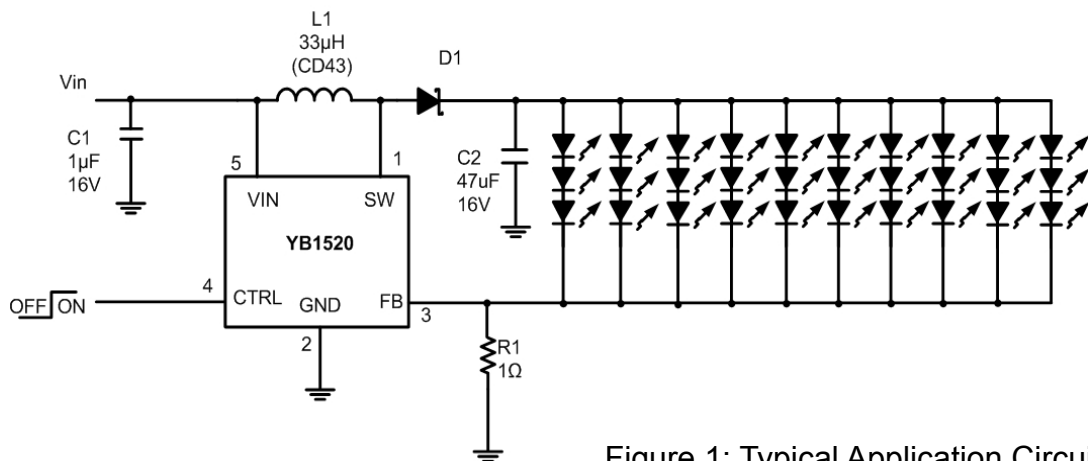
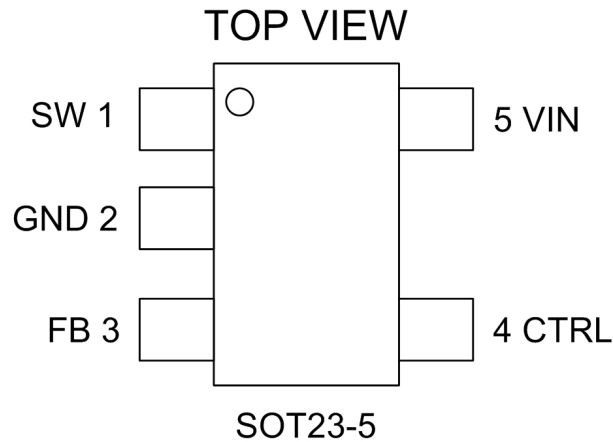


Figure 1: Typical Application Circuit

Pin Configuration



Pin Description

Table 1

Pin	NAME	Description
1	SW	Switching Pin. This is the collector of the internal NPN power switch. Connect to inductor and diode. Minimize the metal trace area connected to this pin to reduce EMI.
2	GND	Ground Pin. Connect directly to local ground plane.
3	FB	Feedback Pin. Reference voltage is 200mV. Connect LEDs and a resistor at this pin. LED current is determined by the resistance and CTRL voltage.
4	CTRL	Shutdown Pin and Dimming Control pin. VCTRL > 1.8V generates full-scale LED current VCTRL < 0.4V chip is off Switching from 0.4V to 2.0V, PWM duty cycle controls the LED current
5	VIN	Input Supply Pin. Bypass this pin with a capacitor as close to the device as possible

Ordering Information

Order Number	Supplied as	Package Marking
YB1520ST25	3000 units Tape & Reel	Y52M

Absolute Maximum Ratings

Vin.....20V
 SW Voltage36V
 FB Voltage5V
 CTRL Voltage.....5V
 Maximum Junction Temp, TJ (not 2).....150°C
 Lead Temperature (Soldering 10 sec)300°C
 Thermal Resistance.....195°C

Recommended Operating Conditions

Operating Temperature (note 3)..... - 40°C~85°C
 Supply Voltage..... 2.5V~16V
 SW Voltage30V

Electricity Characteristics

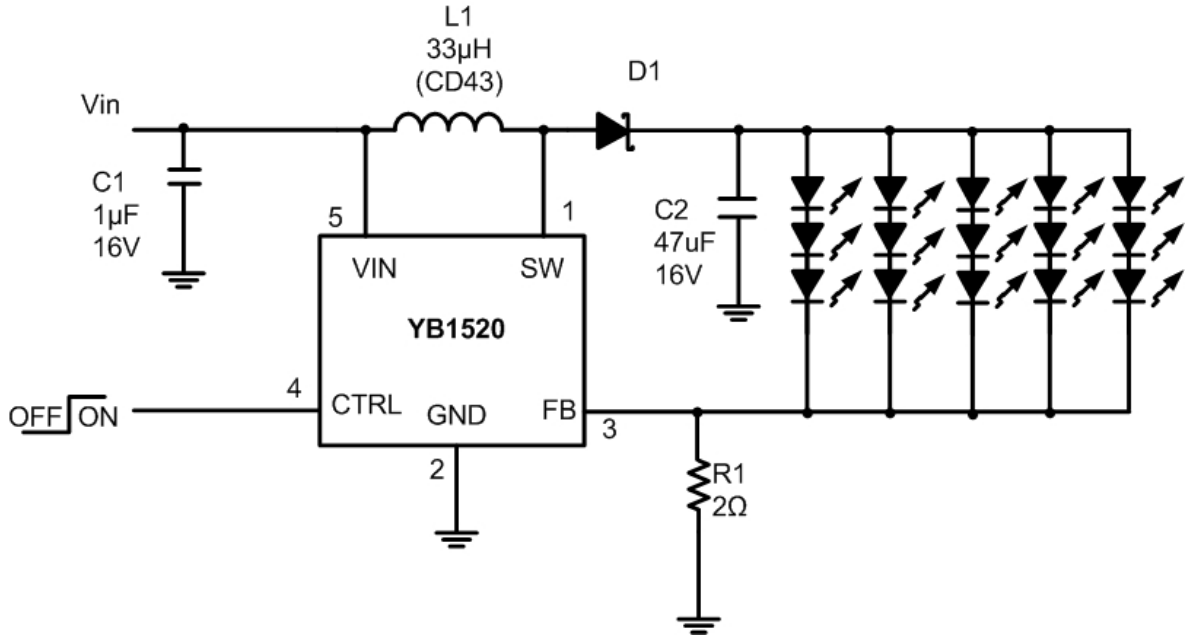
(TA=25°C, Vin=3.3V, Cin=1uF Cout=10uF unless otherwise noted)

Symbol	Function Parameter	Test Conditions	Min	Typ	Max	Units
Vin	Input Voltage Range		2.7		16	V
IQ (Quiescent Current)	Not Switching	Vfb = 0.3V	1.2	1.5	1.7	mA
	Shutdown	CTRL = 0V		0.3	1	uA
VFB	Feedback Voltage	Iout=20mA, Vout=12.5V Circuit of Figure 1	180	200	220	mV
ICL	Switch Current Limit	100% Duty Cycle	850	900	950	mA
ILIM		40% Duty Cycle		600		mA
IB	FB Pin Bias Current	Vfb=200mV	2	10	20	uA
FRSW	Switching Frequency		680	700	720	KHz
DTMX	Maximum Duty Cycle				85	%
DTMN	Minimum Duty Cycle		20		25	%
VSAT	Switch Vcesat	At Isw = 200mA		120		mV
ILKG	Switch Leakage Current	Ctrl = 0.3V		1		uA
VCTL	VCTRL for Full LED Current	Full On		1.7	1.8	V
		Full Off		0.2	0.3	V
ICTL	CTRL Pin Bias Current	Ctrl = 2V		20		uA
OVP	Over Voltage Protection			34		V
θJA	Thermal Resistance			220		°C/W

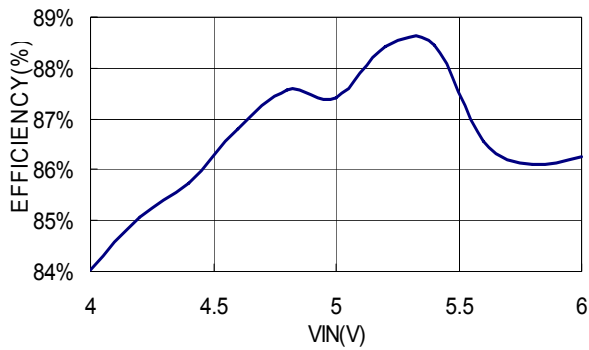
Note:

Absolute maximum ratings are limits beyond which damage to the device may occur. The maximum allowable power dissipation is a function of maximum junction temperature, TJ(max), the junction to ambient thermal resistance, θJA, and the ambient temperature. The maximum allowable, power dissipation at any ambient temperature is calculated using: PD(MAX)= [TJ(max)-TA]/θJA. Exceeding the maximum allowable power dissipation will cause excessive die temperature. All limits at temperature extremes are guaranteed via correlation using standard statistical methods

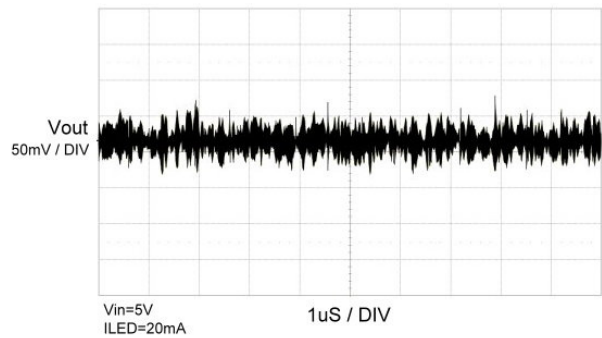
Typical Performance Characteristics

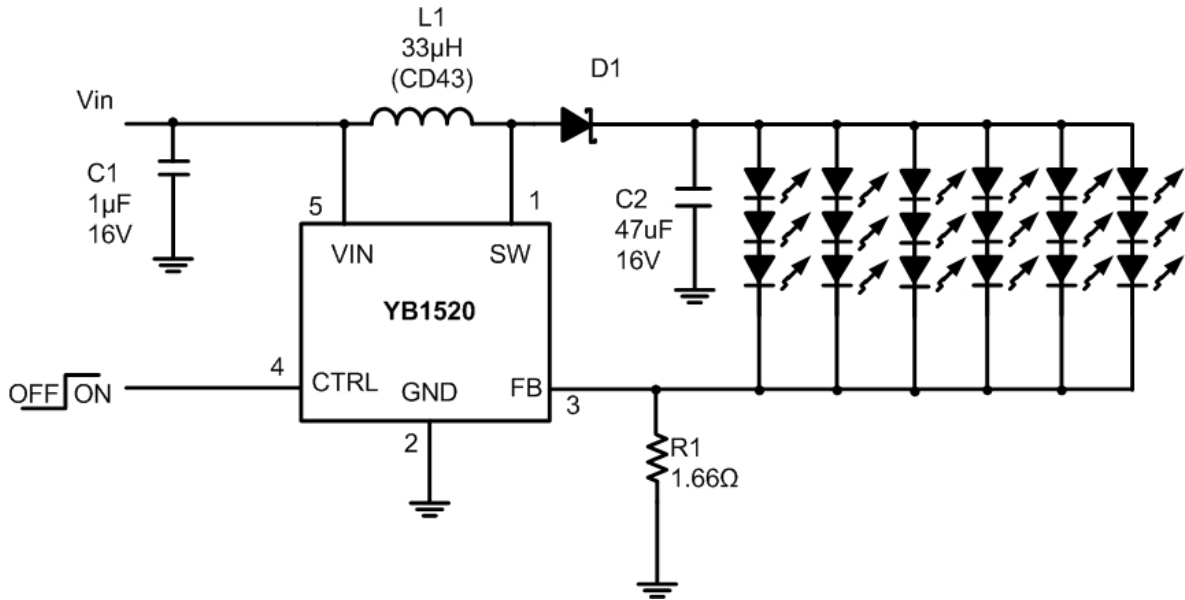


EFFICIENCY

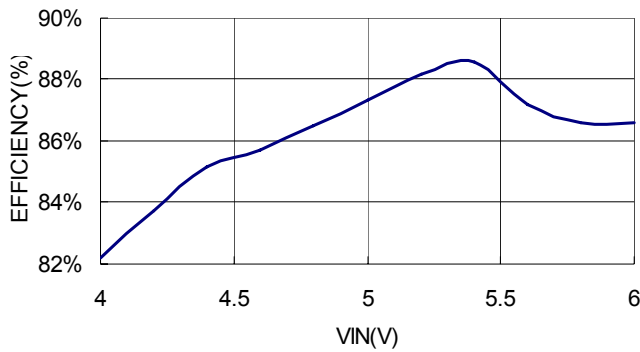


3S5P Output Ripple

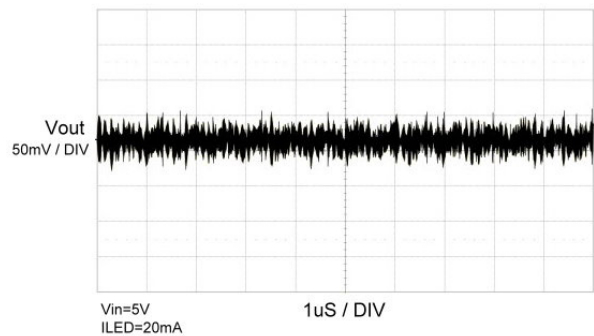


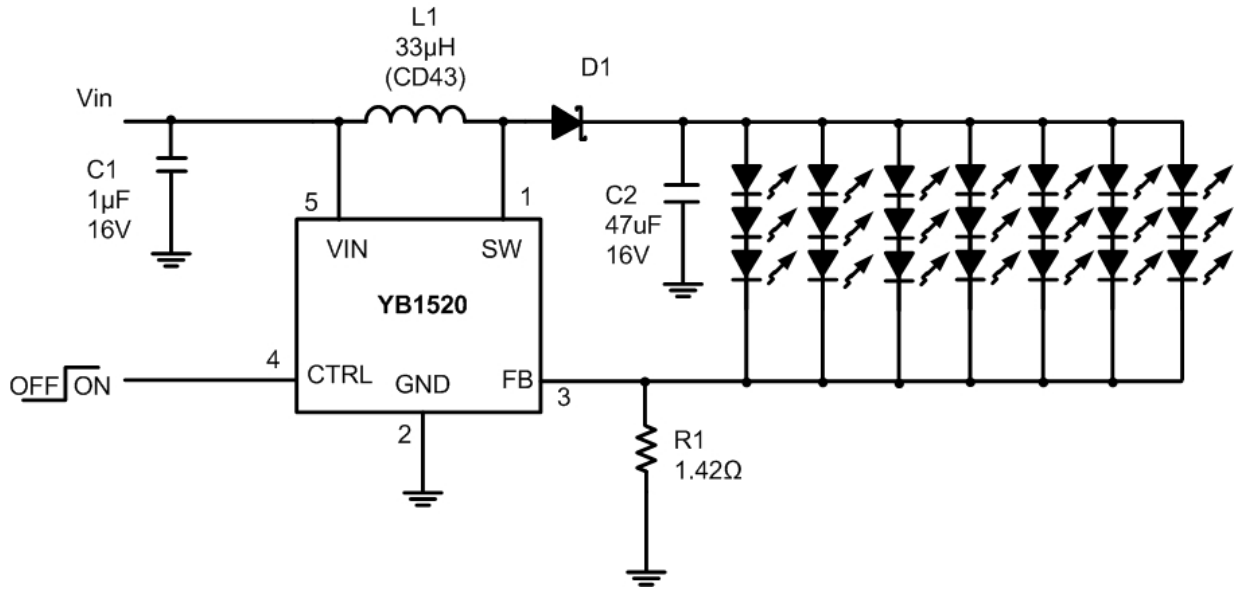


Efficiency

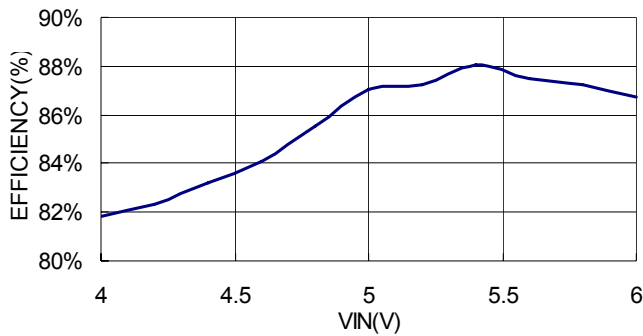


3S6P Output Ripple

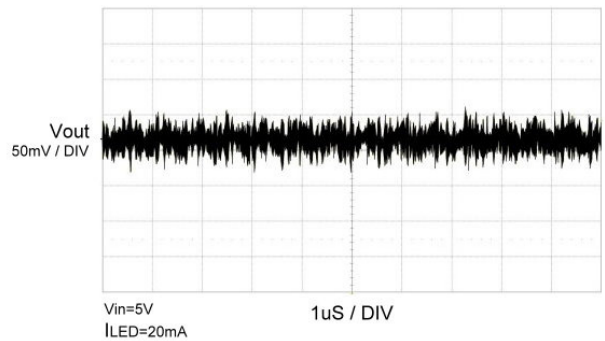


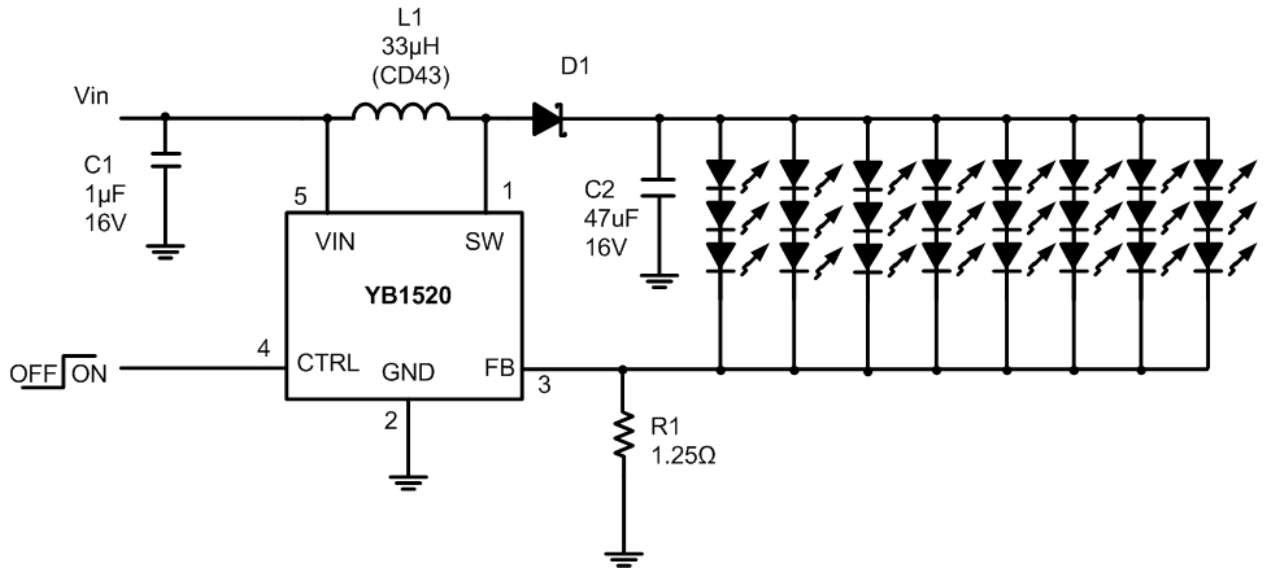


EFFICIENCY

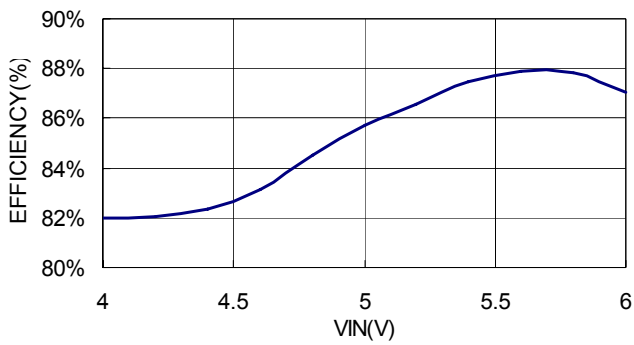


3S7P Output Ripple

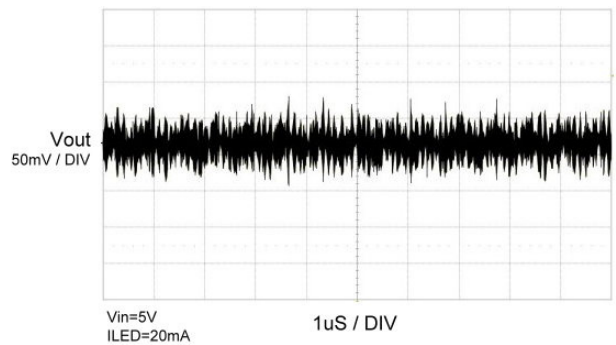


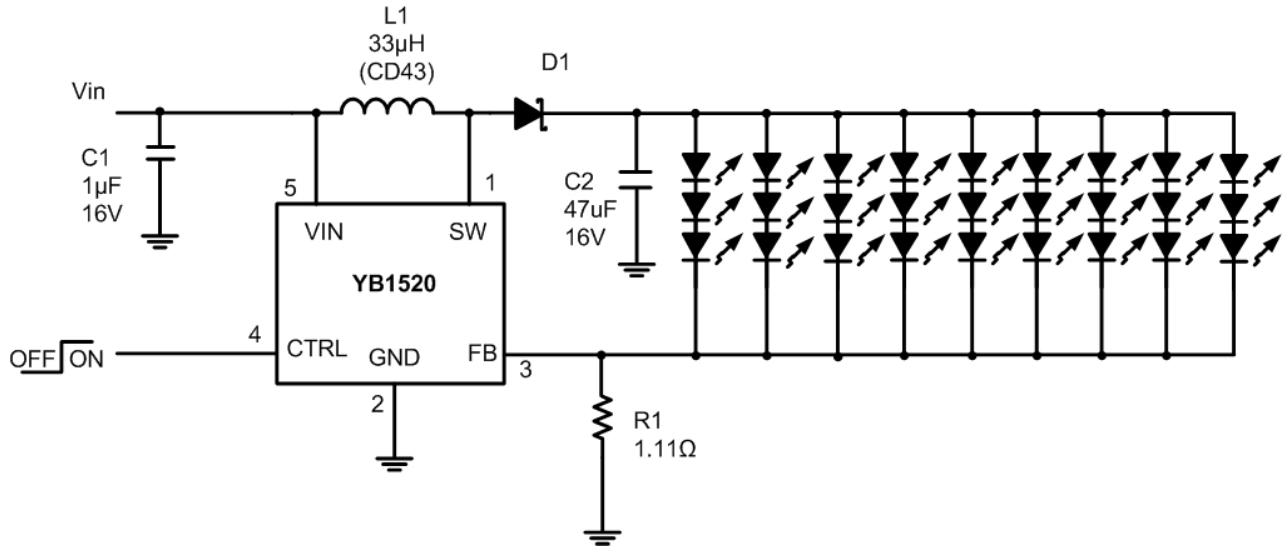


Efficiency

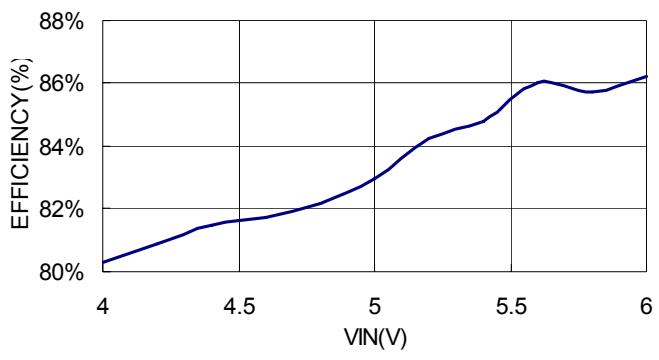


3S8P Output Ripple

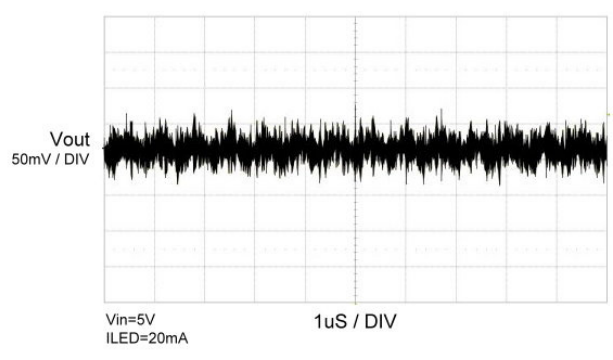


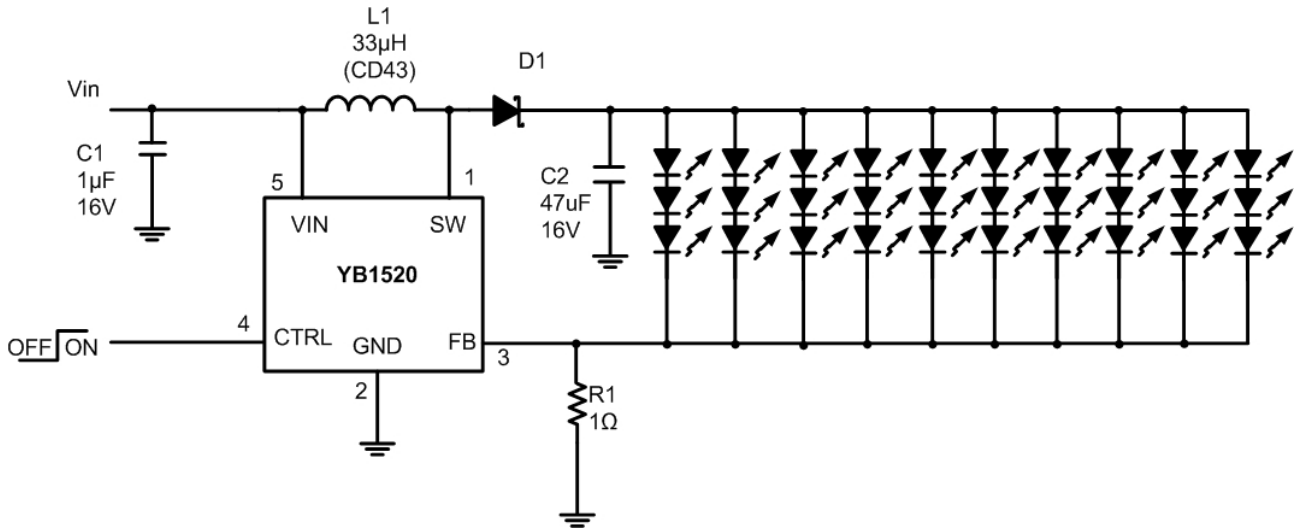


Efficiency

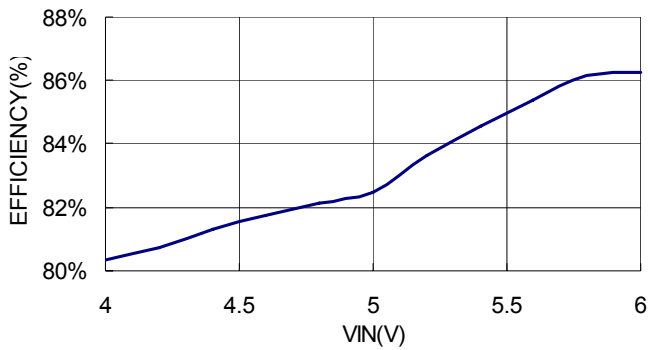


3S9P Output Ripple

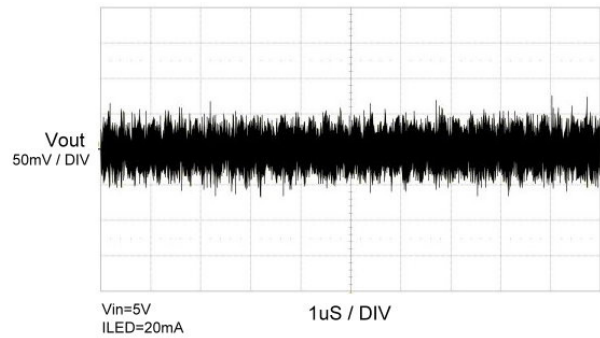


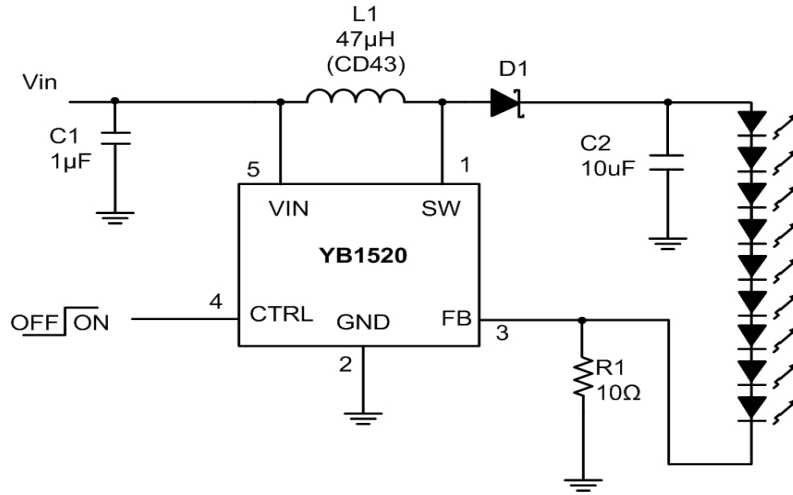


Efficiency

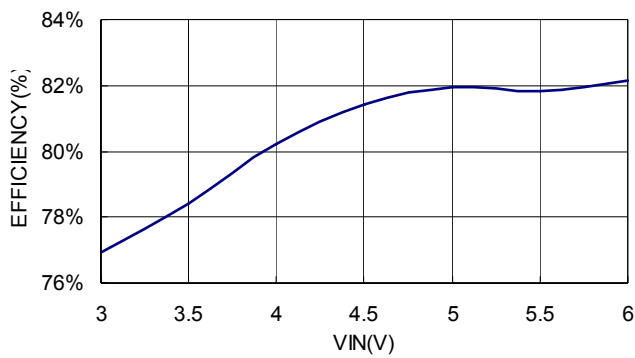


3S10P Output Ripple

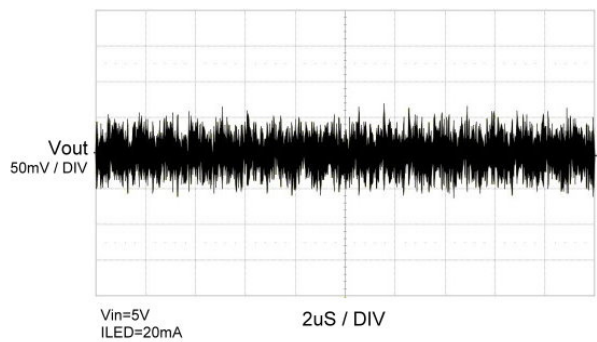


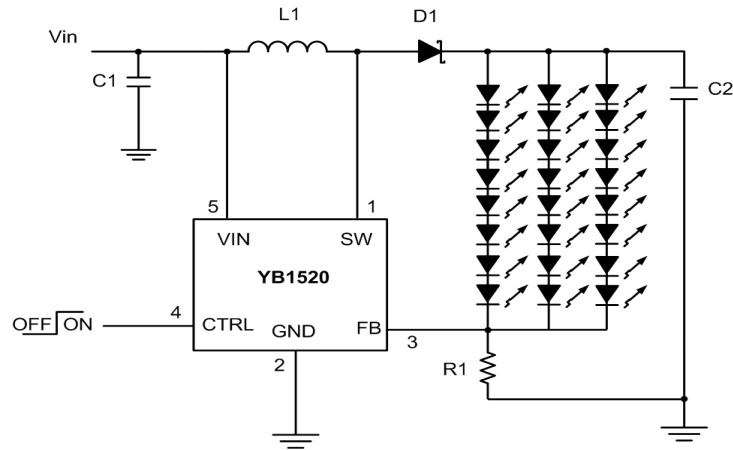


Efficiency

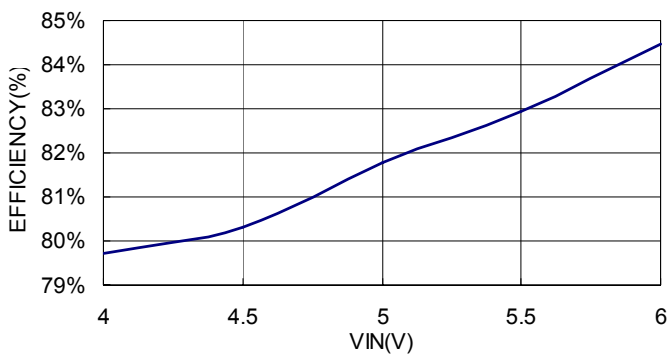


9S Output Ripple

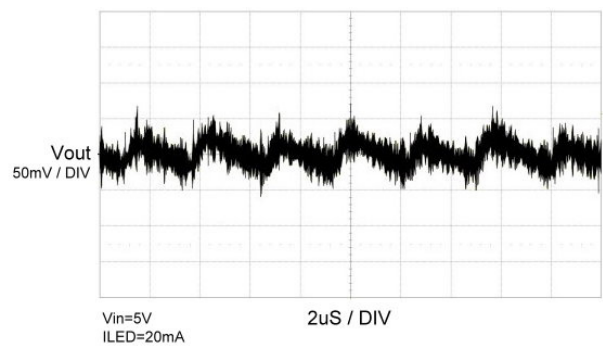


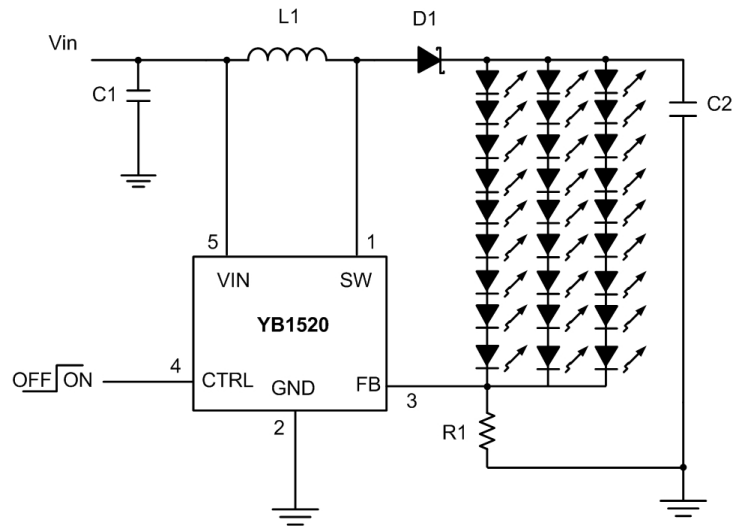


EFFICIENCY

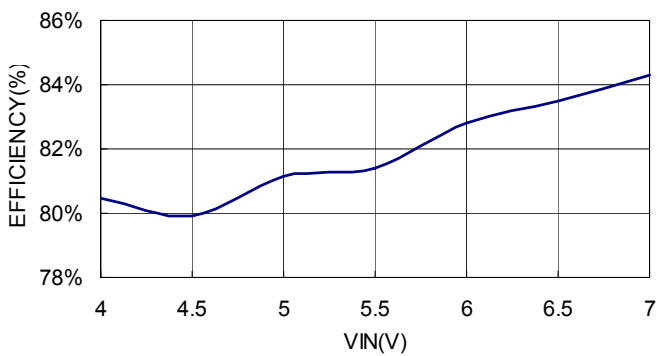


8S3P Output Ripple

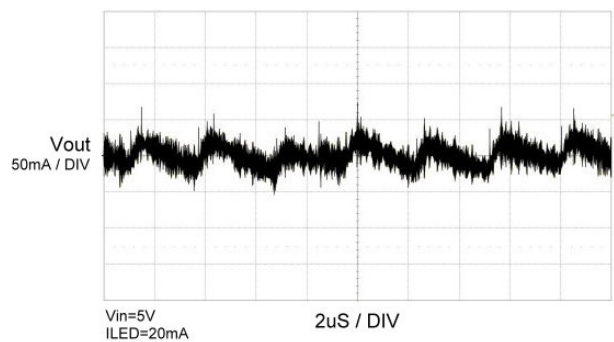




Efficiency

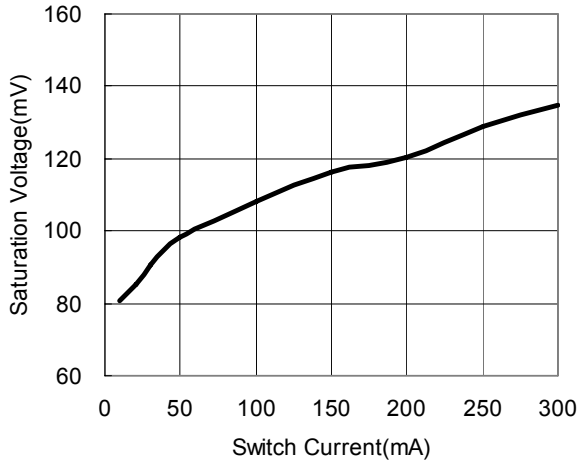


9S3P Output Ripple

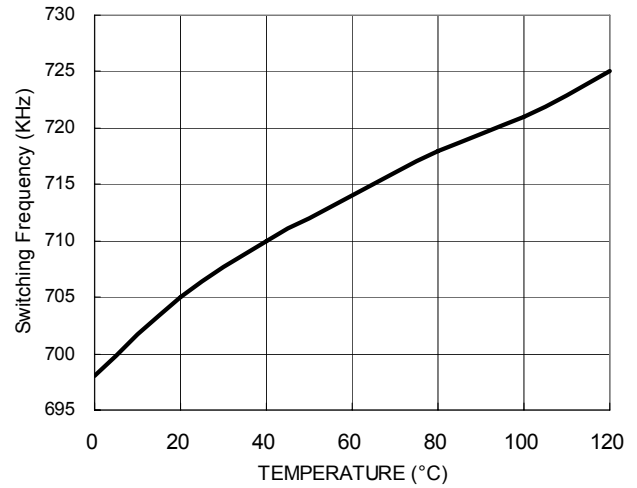


Typical Performance Characteristics

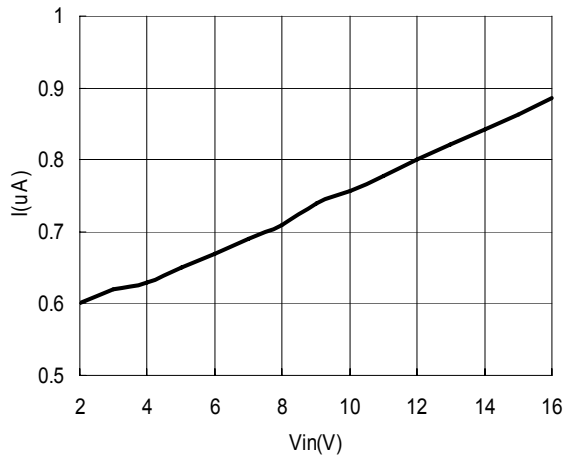
Drive Switch Saturation Voltage(Vcesat)



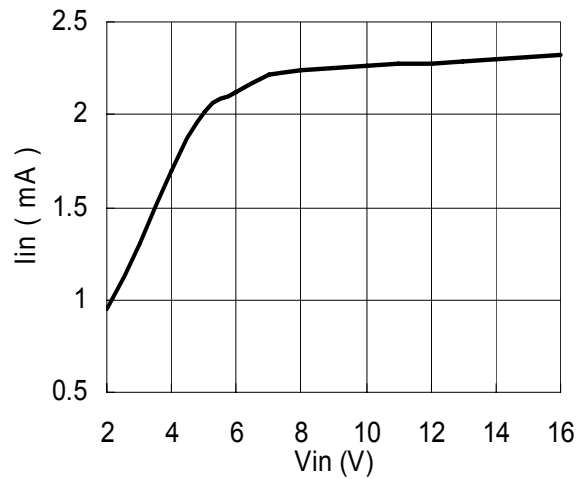
Switching Frequency



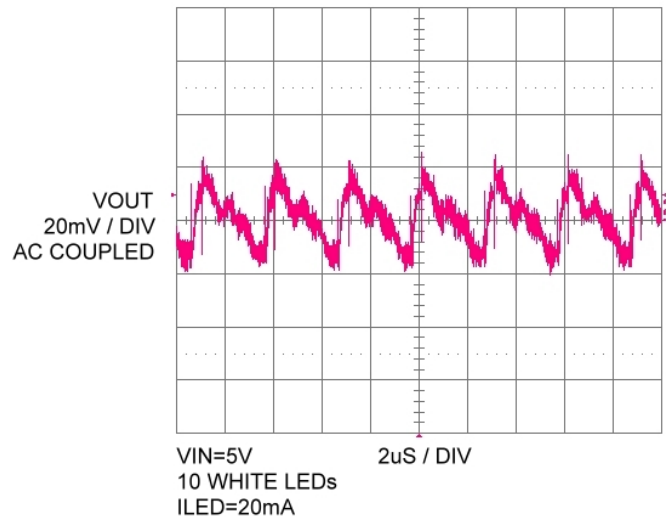
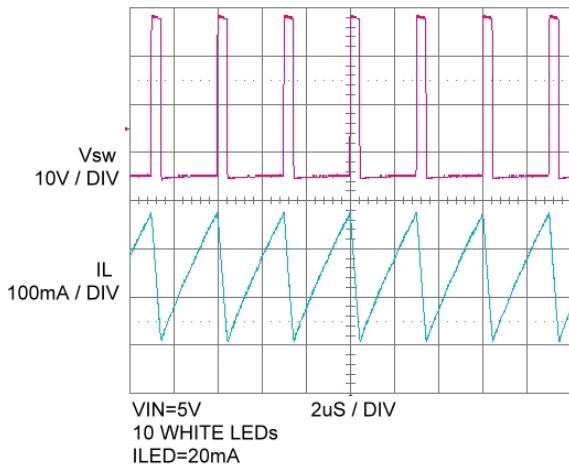
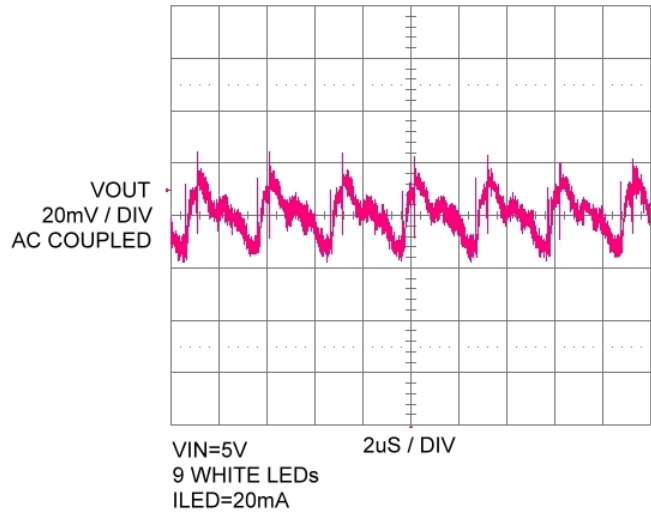
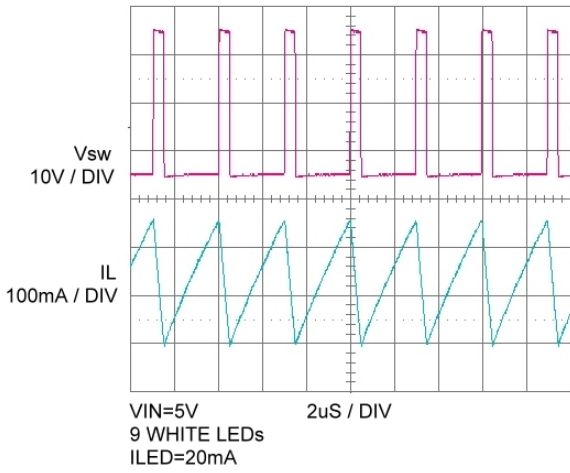
Switch Leakage Current



Supply current test



Switching Waveform



Functional Block

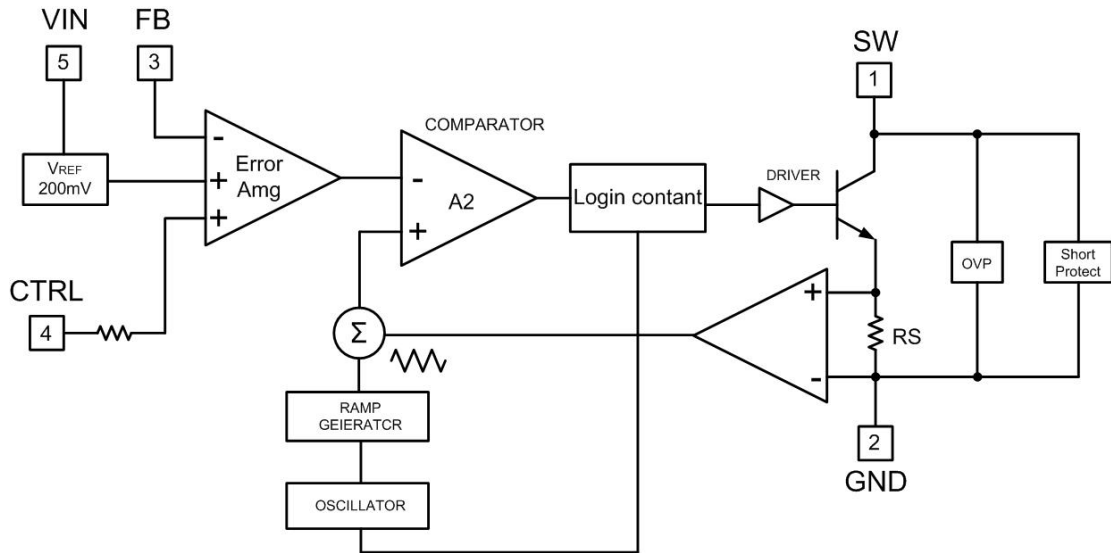


Figure 3: YB1520 Block Diagram

Operation

The YB1520 uses a constant frequency, current mode control scheme to regulate the output LED current. Its operation can be understood by referring to the block diagram in Figure 3. At the start of each oscillator cycle, a voltage proportional to the switch current is added to a ramp output and the resulting sum is fed into the positive terminal of the PWM comparator. When this voltage exceeds the level of the comparator negative input, the peak current has been reached, and the SR latch is reset and turns off the power switch. The voltage at the negative input of the comparator comes from the output of the error amplifier. The error amplifier sets the correct peak current level to keep the output in regulation. If the error amplifier's

output increases, more current is delivered to the output; if it decreases, less current is delivered.

Application Information

Inrush Current

The maximum switch current is limited to about 900 mA by the chip. Typically, a larger C_{out} will increase the duration of high current. However, when V_{in} is first connected, an even larger current can flow into C_{out} . This occurs when the SW pin is open circuit and the C_{out} voltage changes from 0V to V_{in} in a few microseconds. Because the duration of this large current is short, it will usually not cause problems. If this current is not desirable, an external soft-start circuit can be added to significantly reduce this inrush current.

LED Current and Dimming Control

The LED's current is set by a resistor connected at FB pin to GND using:

$$I_{LED} = \frac{200mV}{R_{LED}}$$

The maximum LED current set initially can be reduced by pulse width modulating the CTRL. A better approach is to adjust the feedback voltage for dimming control. Either a DC level signal or a filtered PWM signal can be used to control the LED current as illustrated in Figure 4 and Figure 5 respectively. Using the above different scheme, the LED current can be controlled from 20% to 80% to its maximum value.

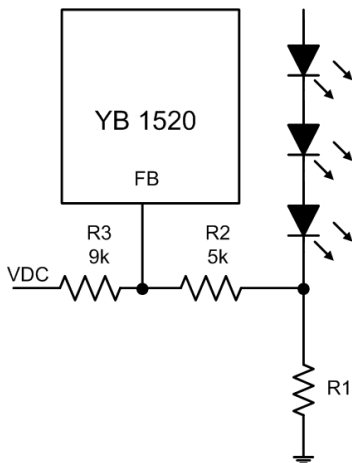


Figure 4. Dimming Control Using a DC Voltage

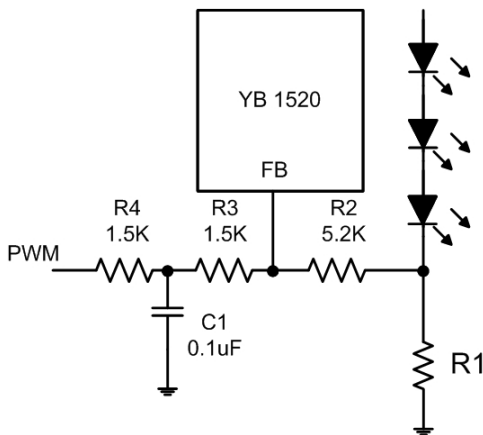


Figure 5. Dimming Control Using a Filtered

PWM Signal(1KHz,2Vp-p,duty 20%~80%)

Over Voltage Protection

The YB1520 has an internal over voltage protection circuit which also acts as an open-circuit protection. In the cases of open circuit or the LEDs failure, the LEDs are disconnected from the circuit, and the feedback voltage will be zero. The YB1520 will then switch to a high duty cycle resulting in a high output voltage, which may cause SW pin voltage to exceed its maximum 34V rating. The YB1520 will shutdown automatically until input condition changes to bring it out of the shutdown mode.

Inductor Selection

A 47uH inductor is recommended for most applications to drive more than 9 LEDs in serials and 33uH inductor is recommended for drive 30 LEDs in serials/parallel. Although small size and high efficiency are major concerns, the inductor should have low core losses at 1MHz and low DCR (copper wire resistance).

Diode Selection

To maintain high efficiency, the average current rating of the Schottky diode should be large than the peak inductor current, IPK. Schottky diode with a low forward drop and fast switching speeds are ideal for increase efficiency in portable application. Choose a reverse breakdown of the Schottky diode large than the output voltage.

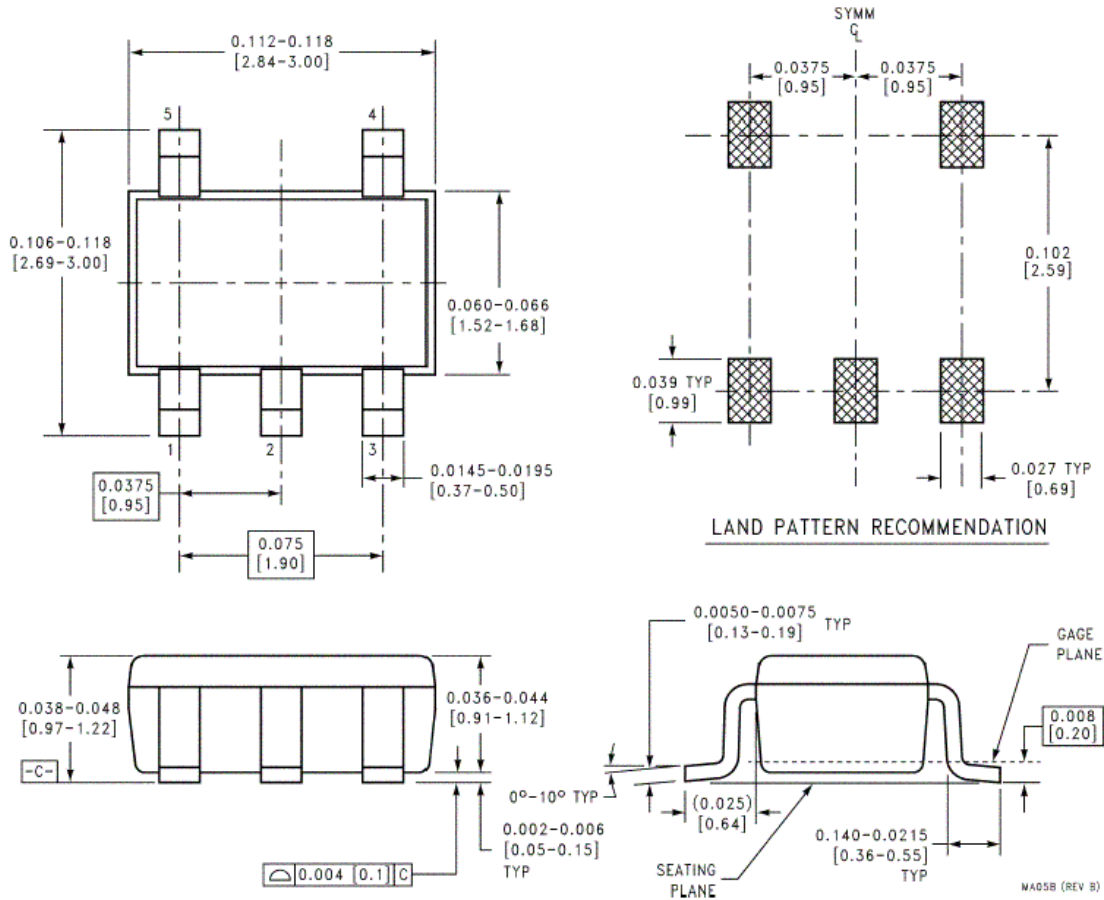
Capacitor Selection

Choose low ESR capacitors for the output to minimize output voltage ripple. Multilayer capacitors are a good choice for this as well. A 47 μ F capacitor is sufficient for most applications. For additional bypassing, a 100nF ceramic capacitor can be used to shunt high frequency ripple on the input.

The input bypass capacitor C_{in} , as shown in Figure 1, must be placed close to the IC. This will reduce copper trace resistance which affects input voltage ripple of the IC. For additional input voltage filtering, a 100nF bypass capacitor can be placed in parallel with C_{in} to shunt any high frequency noise to ground. The output capacitor, C_{out} , should also be placed close to the IC. Any copper trace connections for the C_{out} capacitor can increase the series resistance, which directly effect output voltage ripple.

The feedback network, resistor R2 should be kept close to the FB pin to minimize copper trace connections that can inject noise into the system. The ground connection for the feedback resistor network should connect directly to an analog ground plane. The analog ground plane should tie directly to the GND pin. If no analog ground plane is available, the ground connection for the feedback network should tie directly to the GND pin. Trace connections made to the inductor and Schottky diode should be minimized to reduce power dissipation and increase overall efficiency.

Package Description



All the contains in this datasheet are not assuming any responsibility for use of any circuitry described no circuit patent license are implied and Yobon reserves the right at any time without notice to change said circuitry and specifications.

Yobon Inc. would like to receive your feedback with your recommends and suggestions that is always welcome and with our appreciations.