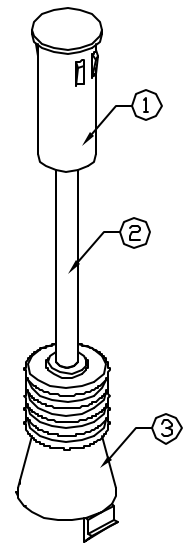
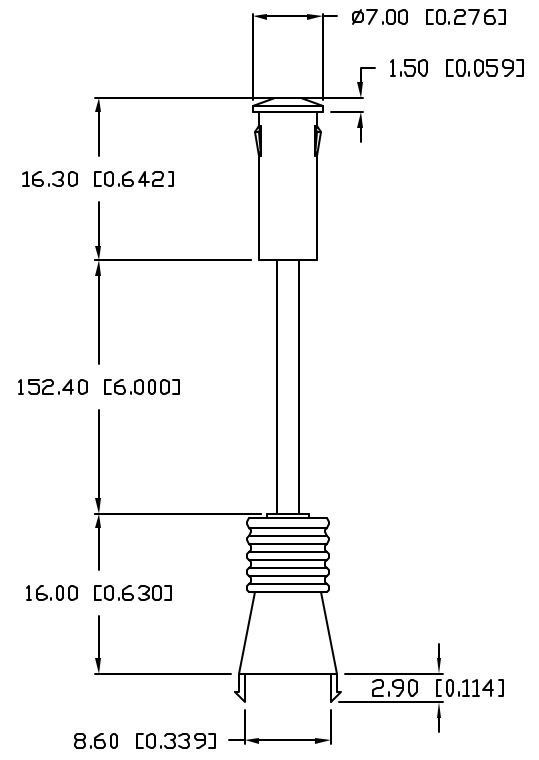


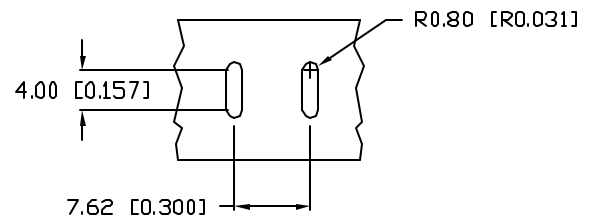
UNCONTROLLED DOCUMENT

PART NUMBER		REV.
LPI-C011701S-150R		A
REV.	E.C.N. NUMBER AND REVISION COMMENTS	DATE
A	E.C.N. #11148.	01.24.07

PANEL CUT OUT: $\phi 6.00\text{mm}$.
 PANEL THICKNESS: 1.80mm ~ 4.80mm.



RECOMMENDED PCB CUT OUT



NOTES:

1. LXP-LXN001701R.
2. LXP-LPI011701-170.
3. LXP-H011701.
4. RECOMMENDED LED: SSL-LX3054XX.



UNCONTROLLED DOCUMENT

*UNLESS OTHERWISE SPECIFIED TOLERANCES PER DECIMAL PRECISION ARE: X=±1 (±0.039), X.X=±0.5 (±0.020), X.XX=±0.25 (±0.010), X.XXX=±0.127 (±0.005). LEAD SIZE=±0.05 (±0.002), LEAD LENGTH=±0.75 (±0.030). MIN.=^{+DECIMAL PRECISION}-0.00 ^{MAX.=+0.00}-DECIMAL PRECISION

REV.	PART NUMBER
A	LPI-C011701S-150R
SINGLE UNIT PANEL MOUNT FLEXIBLE LIGHT TRANSPORTER, RED LENS.	

CONFIDENTIAL INFORMATION
 THE INFORMATION CONTAINED IN THIS DOCUMENT IS THE PROPERTY OF LUMEX INC. EXCEPT AS SPECIFICALLY AUTHORIZED IN WRITING BY LUMEX INC, THE HOLDER OF THIS DOCUMENT SHALL KEEP ALL INFORMATION CONTAINED HEREIN CONFIDENTIAL AND SHALL PROTECT SAME IN WHOLE OR IN PART FROM DISCLOSURE AND DISSEMINATION TO ALL THIRD PARTIES.

RELIABILITY NOTE
 OUR MANY YEARS OF EXPERIENCE DATA ACCUMULATION INDICATE THAT SOLDER HEAT IS A MAJOR CAUSE OF EARLY AND FUTURE FAILURE. PLEASE PAY ATTENTION TO YOUR SOLDERING PROCESS.



290 E. HELEN ROAD
 PALATINE, IL 60067-6976
 PHONE: +1.847.359.2790
 US WEB: www.lumex.com
 TW WEB: www.lumex.com.tw

DRAWN BY:	CHECKED BY:	APPROVED BY:	DATE:
JC			9.16.02
			PAGE: 1 OF 1
			SCALE: N/A