

For Mobile, FET-POS, Debit Card, PDA, ECR 2.7V Print Voltage (B Series)

KA2004-BE51A

Not only hand-held printers, but card payment terminals (EFT-POS) and compact label printers require less than 8.5V of supply voltage.

ROHM's B Series of thermal printheads, developed using cutting-edge LSI technology, can operate on a single lithium ion battery and contribute to end-product miniaturization.

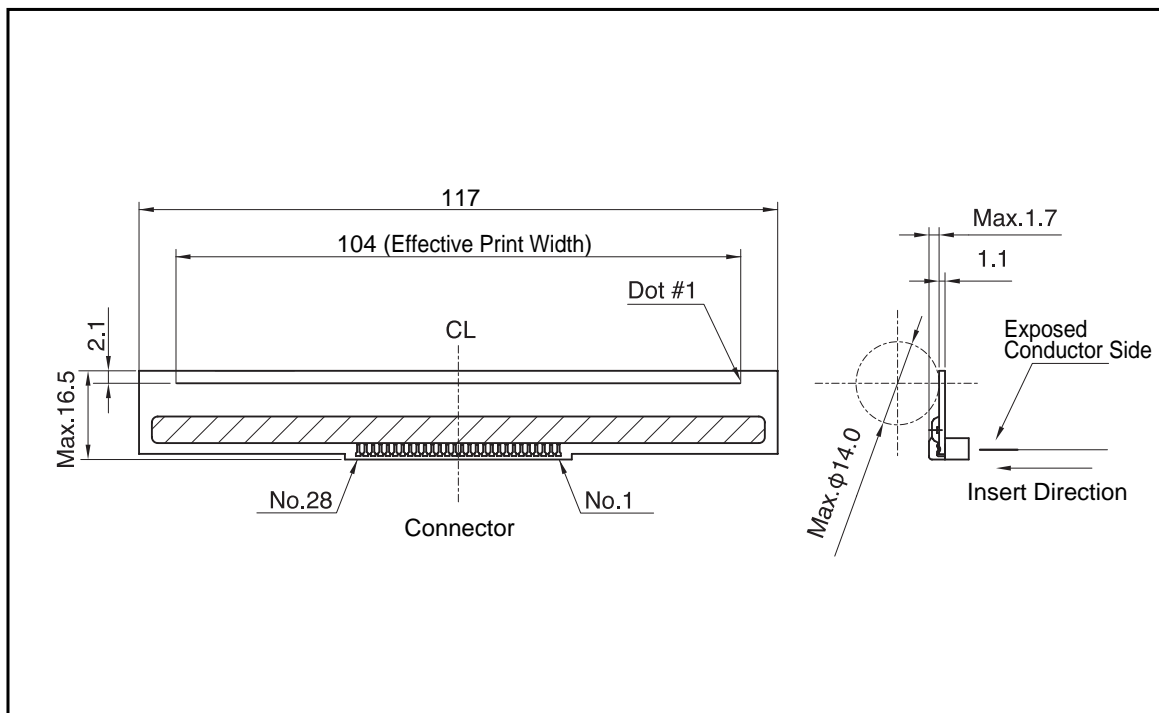
●Applications

Mobile printers
EFT-POS printers
Hand-held printers
Debit printers

●Features

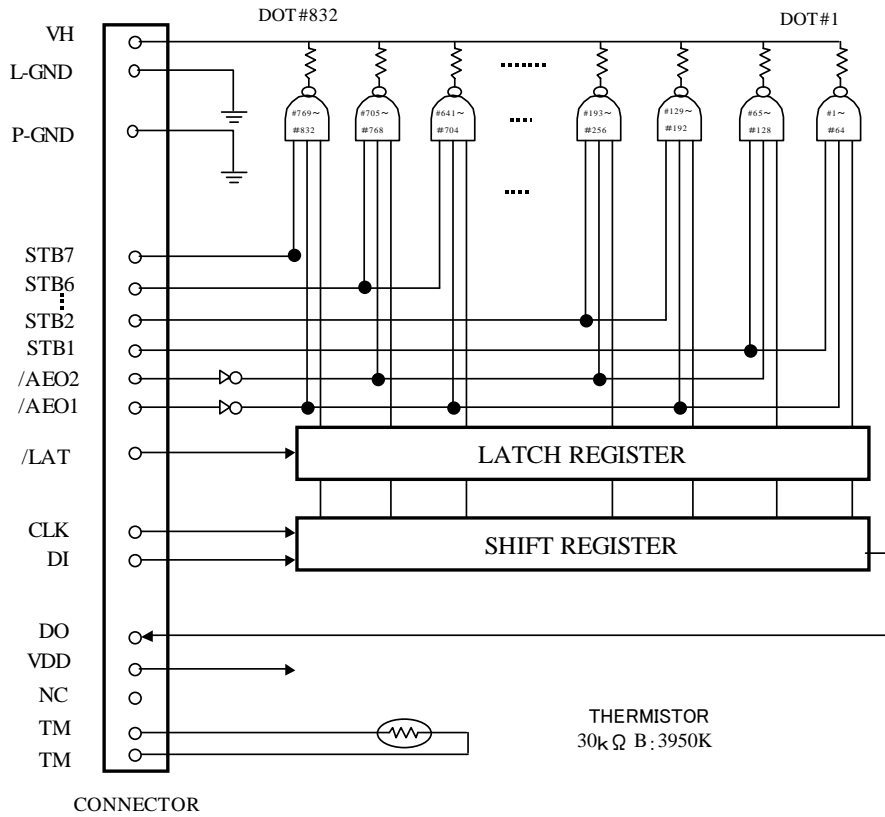
- 1) The B series brings reduced height of protective resin for IC and enlarged paper pathway for thermal papers. Thanks to ROHM's latest LSI high integrated mounting technology and its ultra slim driver IC.
- 2) The B series accede the great world class low energy consumption characteristics of GP series.
- 3) Because the print heads circuits draw 2.7V, the printer can be driven using a single lithium battery.

●Dimensions (Unit : mm)



Printheads

●Equivalent circuit



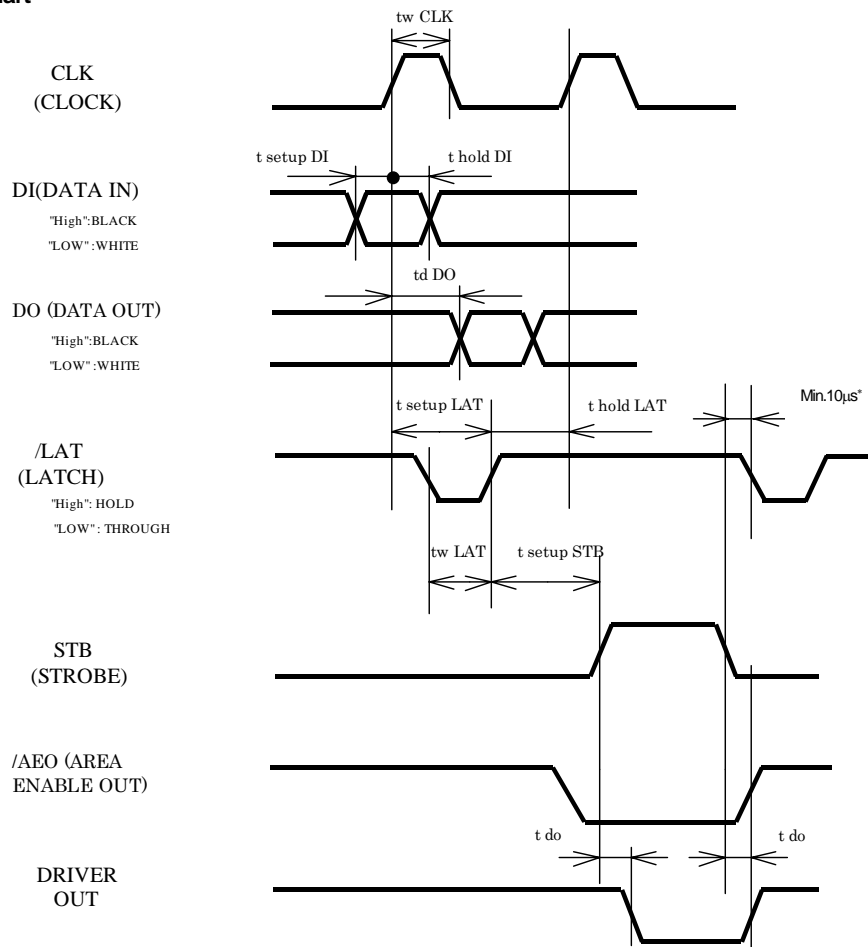
●Pin assignments

No.	Circuit
1	V _H
2	V _H
3	V _H
4	DO
5	/LAT
6	CLK
7	V _{DD}
8	STB1
9	STB2
10	STB3
11	TM
12	TM
13	P-GND
14	P-GND

No.	Circuit
15	P-GND
16	P-GND
17	P-GND
18	L-GND
19	/AEO1
20	/AEO2
21	STB4
22	STB5
23	STB6
24	STB7
25	DI
26	V _H
27	V _H
28	V _H

Printheads

●Timing chart



*If delay time for Driver Out can not be secured enough, there is a possibility that VH would fluctuate greatly. Please design the circuit so that VH does not exceed peak voltage (V_p).

●Characteristics

Parameter	Symbol	Typical	Unit
Effective printing width	—	104	mm
Dot pitch	—	0.125	mm
Total dot number	—	832	dots
Average resistance value	Rave	176	Ω
Applied voltage	V_H	7.2	V
Applied power	P_o	0.24	W/dot
Print cycle	SLT	1.25	ms
Pulse width	T_{ON}	0.55	ms
Maximum number of dots energized simultaneously	—	64	dots
Maximum clock frequency	—	8	MHz
Maximum roller diameter	—	$\phi 14$	mm
Running life / pulse life	—	$50/1 \times 10^8$	km/pulses
Operating temperature	—	5 to 45	$^{\circ}\text{C}$

Printheads

●Electrical characteristic curves

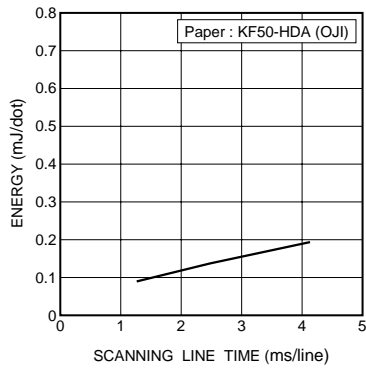


Fig.1 Adaptive speed chart

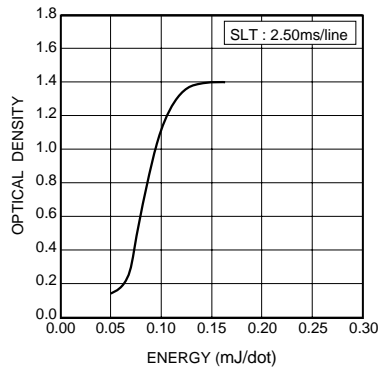


Fig.2 Representative density curve

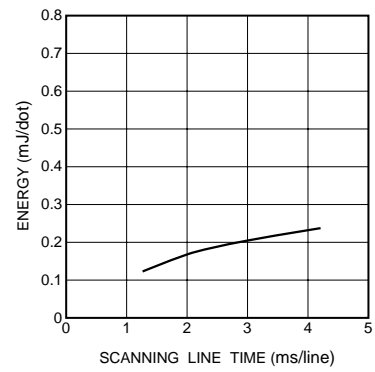


Fig.3 Maximum energy curve

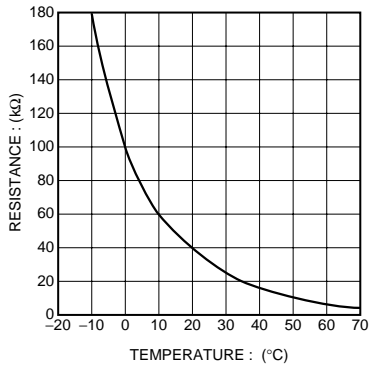


Fig.4 Thermistor curve

Notes

- No technical content pages of this document may be reproduced in any form or transmitted by any means without prior permission of ROHM CO.,LTD.
- The contents described herein are subject to change without notice. The specifications for the product described in this document are for reference only. Upon actual use, therefore, please request that specifications to be separately delivered.
- Application circuit diagrams and circuit constants contained herein are shown as examples of standard use and operation. Please pay careful attention to the peripheral conditions when designing circuits and deciding upon circuit constants in the set.
- Any data, including, but not limited to application circuit diagrams information, described herein are intended only as illustrations of such devices and not as the specifications for such devices. ROHM CO.,LTD. disclaims any warranty that any use of such devices shall be free from infringement of any third party's intellectual property rights or other proprietary rights, and further, assumes no liability of whatsoever nature in the event of any such infringement, or arising from or connected with or related to the use of such devices.
- Upon the sale of any such devices, other than for buyer's right to use such devices itself, resell or otherwise dispose of the same, no express or implied right or license to practice or commercially exploit any intellectual property rights or other proprietary rights owned or controlled by
- ROHM CO., LTD. is granted to any such buyer.
- Products listed in this document are no antiradiation design.

The products listed in this document are designed to be used with ordinary electronic equipment or devices (such as audio visual equipment, office-automation equipment, communications devices, electrical appliances and electronic toys).

Should you intend to use these products with equipment or devices which require an extremely high level of reliability and the malfunction of which would directly endanger human life (such as medical instruments, transportation equipment, aerospace machinery, nuclear-reactor controllers, fuel controllers and other safety devices), please be sure to consult with our sales representative in advance.

It is our top priority to supply products with the utmost quality and reliability. However, there is always a chance of failure due to unexpected factors. Therefore, please take into account the derating characteristics and allow for sufficient safety features, such as extra margin, anti-flammability, and fail-safe measures when designing in order to prevent possible accidents that may result in bodily harm or fire caused by component failure. ROHM cannot be held responsible for any damages arising from the use of the products under conditions out of the range of the specifications or due to non-compliance with the NOTES specified in this catalog.

Thank you for your accessing to ROHM product informations.

More detail product informations and catalogs are available, please contact your nearest sales office.

ROHM Customer Support System

THE AMERICAS / EUROPE / ASIA / JAPAN

www.rohm.com

Contact us : webmaster@rohm.co.jp