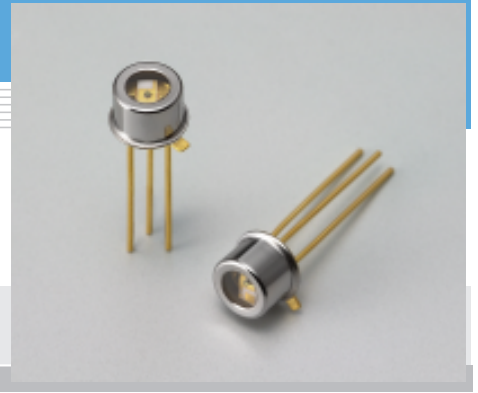


InGaAs APD

G8931-04

Time response characteristics compatible with SONET and G/GE-PON



G8931-04 is an InGaAs APD that delivers a high-speed response of 2.5 Gbps required for trunk line optical fiber communications such as SONET (Synchronous Optical Network), G-PON (Gigabit-capable Passive Optical Network) and GE-PON (Gigabit Ethernet-Passive Optical Network).

Features

- High-speed response: 2.5 Gbps
- Low dark current
- Low capacitance
- Active area: $\phi 0.04$ mm
- High sensitivity

Applications

- Optical fiber communications
- High-speed data links

General ratings

Parameter	Symbol	Value	Unit
Active area	-	$\phi 0.04$	mm

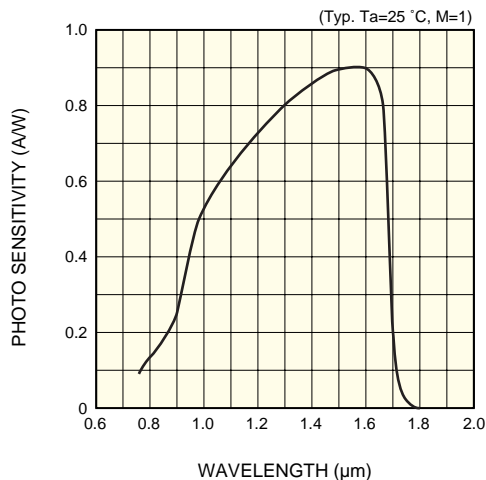
Absolute maximum ratings

Parameter	Symbol	Value	Unit
Forward current	I_F	2	mA
Reverse current	I_R	500	μ A
Operating temperature	T_{opr}	-40 to +85	$^{\circ}$ C
Storage temperature	T_{stg}	-55 to +125	$^{\circ}$ C

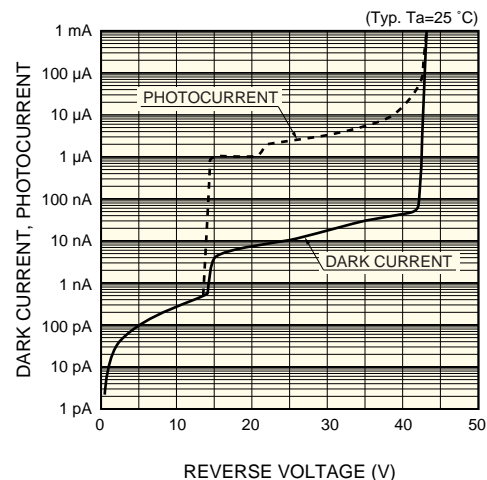
Electrical and optical characteristics ($T_a=25^{\circ}$ C)

Parameter	Symbol	Condition	Min.	Typ.	Max.	Unit
Spectral response range	λ		-	0.9 to 1.7	-	μ m
Peak sensitivity wavelength	λ_p		-	1.55	-	μ m
Photo sensitivity	S	$\lambda=1.55 \mu\text{m}$, $M=1$	0.8	0.9	-	A/W
Breakdown voltage	V_{BR}	$I_D=100 \mu\text{A}$	40	-	60	V
Temperature coefficient of V_{BR}	Γ	-40 to +85 $^{\circ}$ C	-	0.11	0.16	V/ $^{\circ}$ C
Dark current	I_D	$V_R=V_{BR} \times 0.9$	-	40	65	nA
Cut-off frequency	f_c	$M=10$	3	4	-	GHz
Terminal capacitance	C_t	$V_R=V_{BR} \times 0.9$ $f=1 \text{ MHz}$	-	0.35	0.45	pF

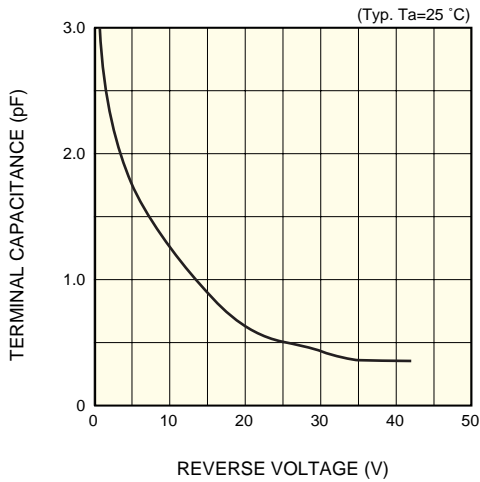
Spectral response



Dark current vs. reverse voltage

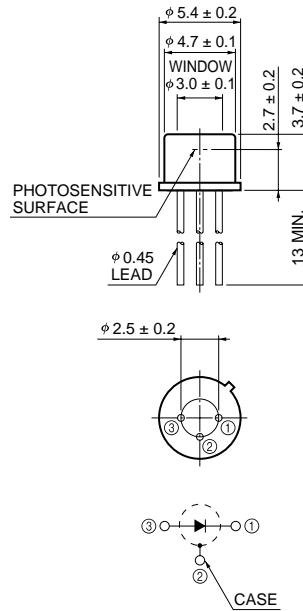


■ Terminal capacitance vs. reverse voltage



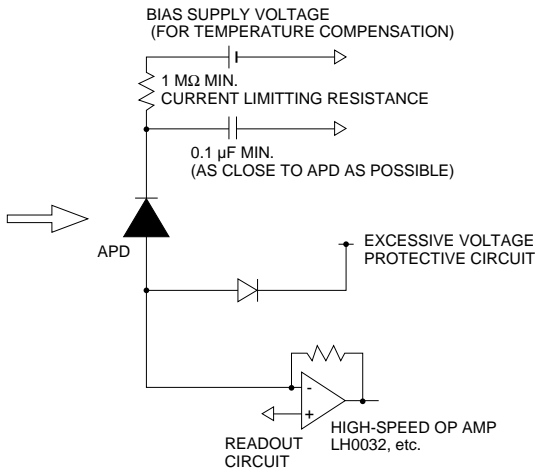
KAPDB0124EA

■ Dimensional outline (unit: mm)



KAPDA0034EA

■ Peripheral circuit example of APD



KAPDC0005EB

HAMAMATSU

Information furnished by HAMAMATSU is believed to be reliable. However, no responsibility is assumed for possible inaccuracies or omissions. Specifications are subject to change without notice. No patent rights are granted to any of the circuits described herein. ©2007 Hamamatsu Photonics K.K.

HAMAMATSU PHOTONICS K.K., Solid State Division

1126-1 Ichino-cho, Higashi-ku, Hamamatsu City, 435-8558 Japan, Telephone: (81) 53-434-3311, Fax: (81) 53-434-5184, www.hamamatsu.com

U.S.A.: Hamamatsu Corporation: 360 Foothill Road, P.O.Box 6910, Bridgewater, N.J. 08807-0910, U.S.A., Telephone: (1) 908-231-0960, Fax: (1) 908-231-1218

France: Hamamatsu Photonics France S.A.R.L.: 19, Rue du Saule Traipu, Parc du Moulin de Massy, 91882 Massy Cedex, France, Telephone: 33-(1) 69 53 71 00, Fax: 33-(1) 69 53 71 10

United Kingdom: Hamamatsu Photonics UK Limited: 2 Howard Court, 10 Tewin Road, Welwyn Garden City, Hertfordshire AL7 1BW, United Kingdom, Telephone: (44) 1707-294888, Fax: (44) 1707-325777

North Europe: Hamamatsu Photonics Norden AB: Smidesvägen 12, SE-171 41 Solna, Sweden, Telephone: (46) 8-509-031-00, Fax: (46) 8-509-031-01

Italy: Hamamatsu Photonics Italia S.R.L.: Strada della Moia, 1/E, 20020 Arese, (Milano), Italy, Telephone: (39) 02-935-81-733, Fax: (39) 02-935-81-741