

2A Sink/Source Bus Termination Regulator

DESCRIPTION

The EUP7171 is a high performance linear regulator designed to provide power for termination of a DDR memory bus. It significantly reduces parts count, board space and overall system cost over previous switching solutions.

The EUP7171 contains a high-speed operational amplifier to provide excellent response to load transients. It also has an independent power source pin (VCNTL) for achieving better output driving capability. The regulator can both sink and source up to 2A current. The output termination voltage can be tightly regulated to track $1/2 V_{DDQ}$ by two external voltage divider resistors.

The EUP7171, used in conjunction with series termination resistors, provides an excellent voltage source for active termination schemes of high speed transmission lines as those seen in high speed memory buses. A typical DDR memory system is seen in Figure 1.

FEATURES

- Compatible with DDR-I (1.25VTT) or DDR-II (0.9VTT) SDRAM Systems.
- Low Quiescent Current (1.1mA)
- Fast Transient Response Time
- Capable of Sourcing and Sinking 2A
- Adjustable VOUT by Two External Resistors
- Current Limiting Protection
- Over-Temperature Protection
- High Accuracy Output Voltage at Full-Load
- Low External Component Count
- Available in SOP-8 Exposed Pad Package
- RoHS Compliant and 100% Lead (Pb)-Free

APPLICATIONS

- DDR SDRAM Termination Voltage

Simplified System Diagram

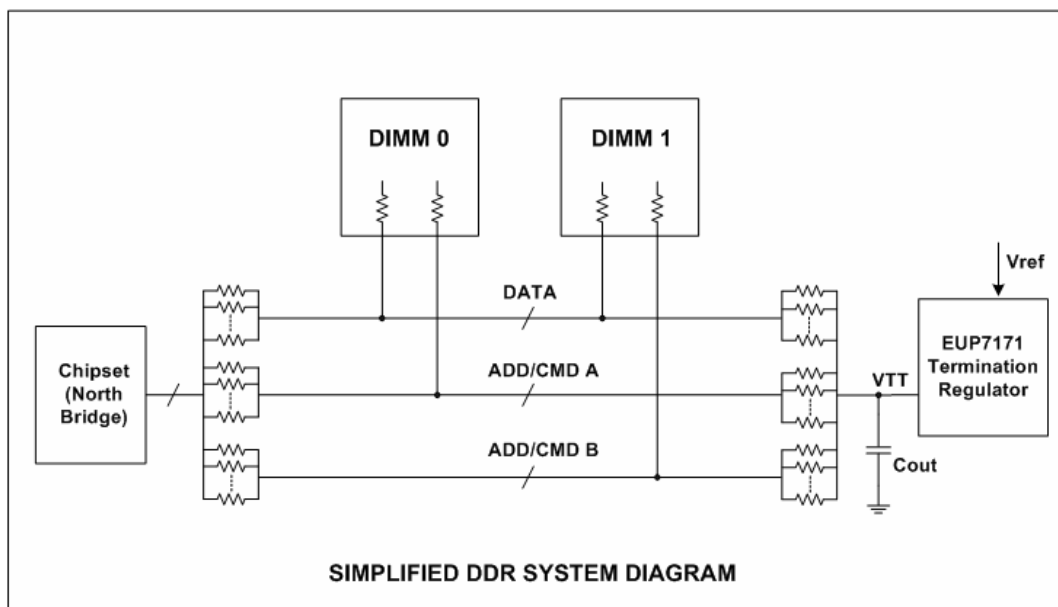


Figure1.

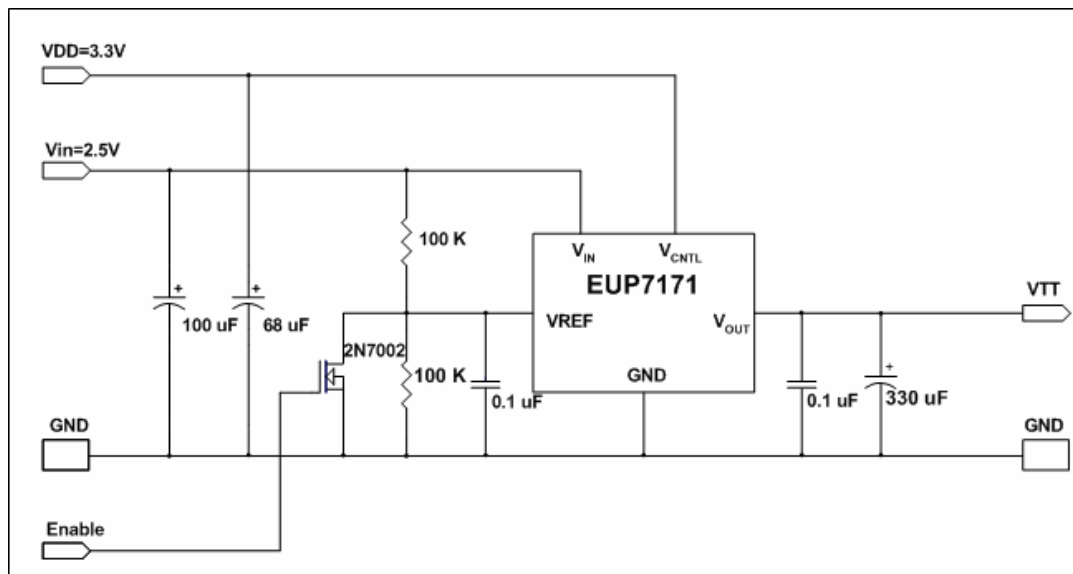
Pin Configurations

Part Number	Pin Configurations (TOP VIEW)
EUP7171 (Plastic SOP-8)	



Pin Description

PIN	SYMBOL	DESCRIPTION
1	VIN	Power Input pin
2	GND	Ground
3	VREF	Reference voltage input and chip enable (Chip enable when REFEN > 0.8V)
4	VOUT	Output voltage for regulation terminator voltage
6	VCNTL	Gate driver voltage
5, 7, 8	NC	NC

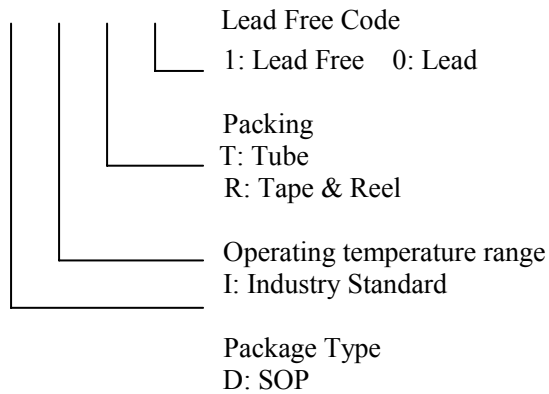
Typical Application Circuit



Ordering Information

Order Number	Package Type	Marking	Operating Temperature range
EUP7171DIT1	SOP-8	 xxxx EUP7171	-40°C to 125°C
EUP7171DIR1	SOP-8	 xxxx EUP7171	-40°C to 125°C

EUP7171



Absolute Maximum Ratings

■ Input voltage	-----	6V
■ Power dissipation	-----	Internal limiting
■ ESD rating	-----	2KV
■ Maximum junction temperature	-----	150 °C
■ Storage temperature range	-----	-65°C to 150°C
■ Lead temperature (soldering , 5 sec)	-----	260 °C
■ Package thermal resistance SOP-8 (FD) , θ_{jA}	-----	42.3 °C/W

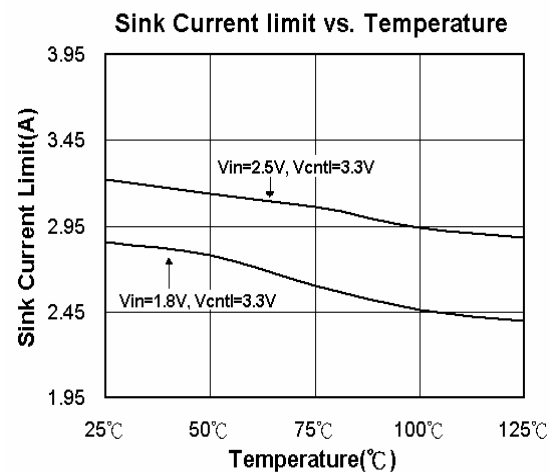
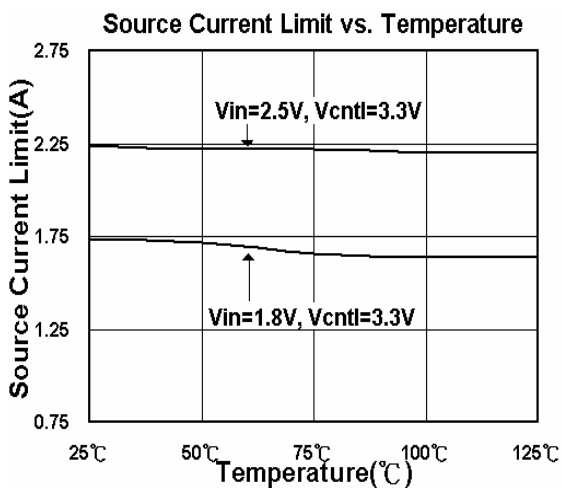
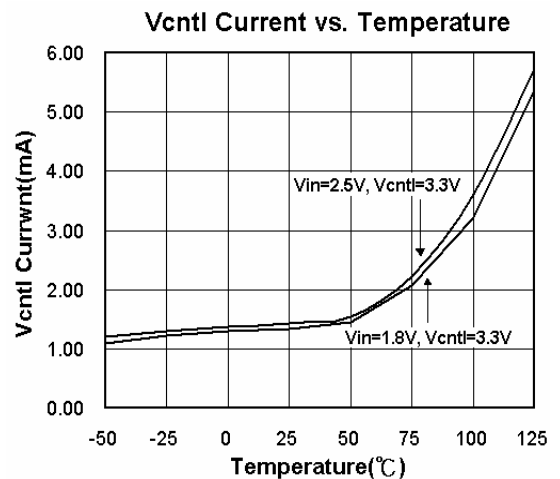
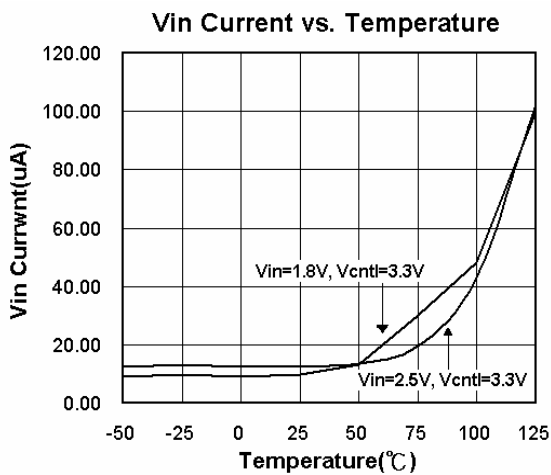
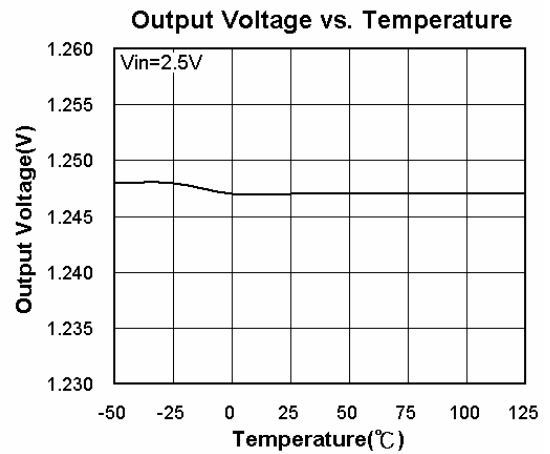
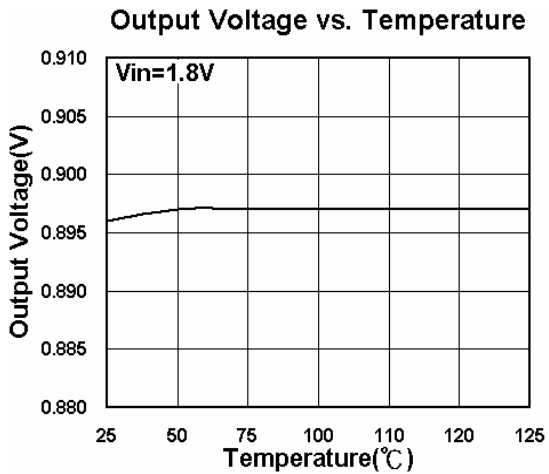
Electrical Characteristics

(Limits in standard typeface are for $T_A=25\text{ °C}$, unless otherwise specified:
 $V_{IN}=2.5V/1.8V$, $V_{CNTL}=3.3V$, $V_{REF}=1.25V/0.9V$, $C_{OUT}=10\mu f$ (Ceramic))

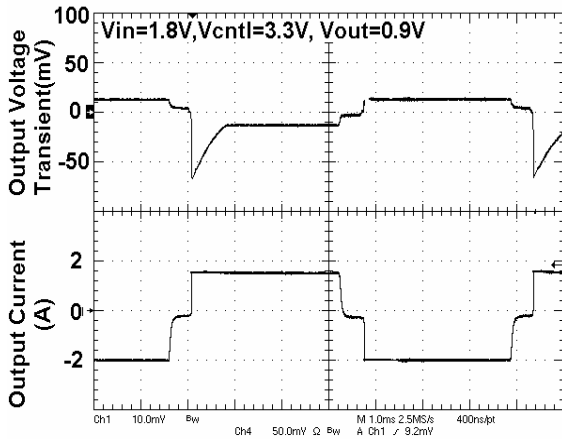
Symbol	Parameter	Conditions	Min	Typ	Max	Units
V_{OS}	Output Offset Voltage	$I_{OUT} = 0A$, (Note1)	-20	0	20	mV
V_{LOAD}	Load Regulation	$I_L : 0 \quad 2A(DDRI)/1.5(DDR II)$	-20	0	20	mV
		$I_L : 0 \quad -2A(DDRI)/-1.5(DDR II)$				
V_{IN}	Input Voltage Range (DDR I / DDR II)	Keep $V_{CNTL} \geq V_{IN}$ on operation power on and power off sequences	--	2.5/1.8	--	V
V_{CNTL}			--	3.3	5.5	
I_{VCNTL}	Operating Current of V_{CNTL}	$I_L = 0A$	--	1.4	2	mA
I_{SHDN}	Current in Shutdown mode	$V_{REF} < 0.2V$	--	60	110	μA
Short Circuit Protection						
I_{LIMIT}	Current Limit		2.2	--	--	A
Over Temperature Protection						
T_{SD}	Thermal Shutdown Temperature		--	157	--	°C
T_{SD_HYS}	Thermal Shutdown Hysteresis	Guaranteed by design	--	40	--	°C
Shutdown function						
V_{IH}	Shutdown Threshold	Output = High	0.8	--	--	V
V_{IL}		Output = Low	--	--	0.2	

Note 1: V_{OS} offset is the voltage measurement defined as V_{OUT} subtracted from V_{REF} .

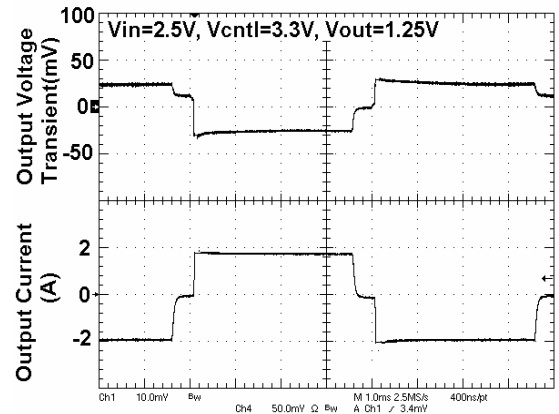
Typical Operating Characteristics



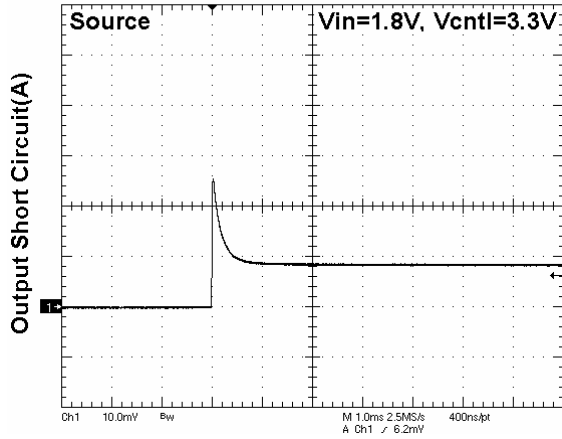
0.9Vtt @1.8A Transient Response



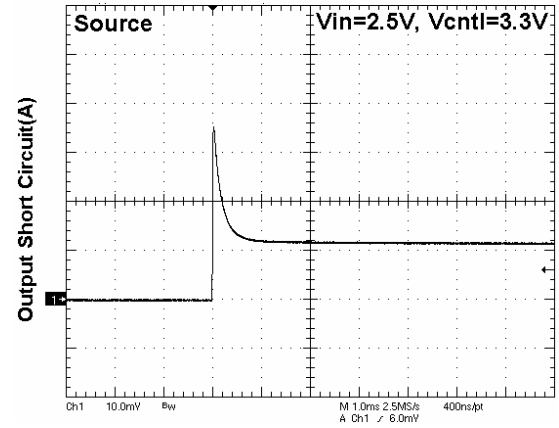
1.25Vtt @2A Transient Response



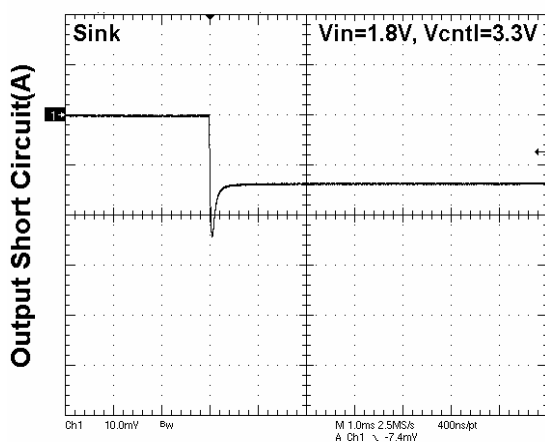
Output Short-Circuit Protection



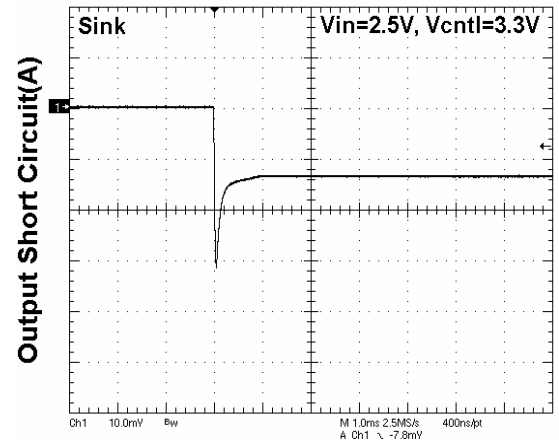
Output Short-Circuit Protection

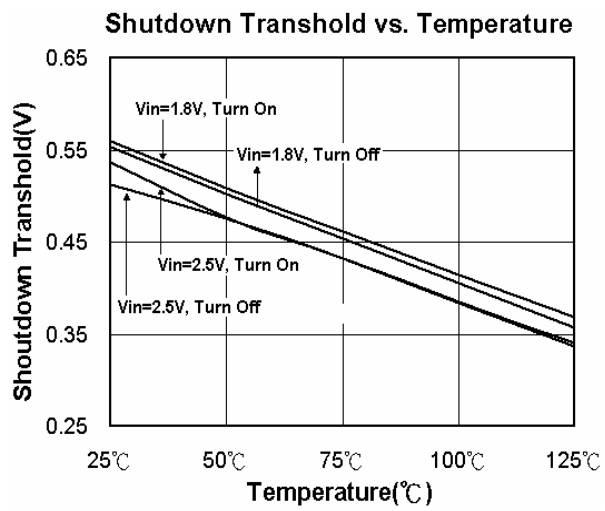


Output Short-Circuit Protection

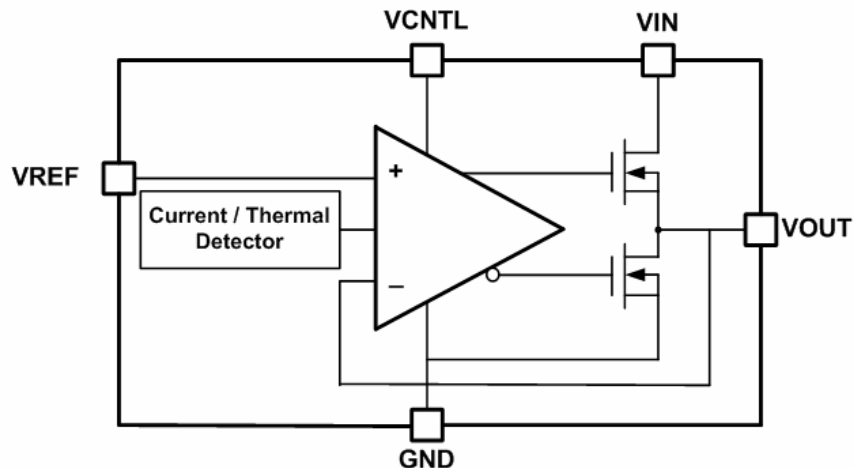


Output Short-Circuit Protection





Function Block Diagram



Pin Functions

VCNTL and VIN

VCNTL and VIN are the input supply pins for the EUP7171. VIN provides the rail voltage for VOUT generation. VCNTL is used to supply the internal control circuitry. The limitation on input voltage selection is that VIN must be equal to or lower than VCNTL. For DDR I application, a separation connection of VIN and VCNTL to 2.5V and 3.3V respectively can achieve better output drive capability.

VREF

REFEN is an external reference input for the EUP7171. For SSTL-2 applications, VREF should be a 1.25V that the regulator can trace for termination voltage VOUT. It is recommended to place a 0.01uF to 0.1uF bypass capacitor at close to the VREF pin. An additional function included in the VREF is an active low shutdown. When VREF is pulled low the VOUT output will tri-state providing a high impedance output. A power savings advantage can be obtained in this mode through lower quiescent current.

VOUT

VOUT provides a regulated output for termination bus usage. It is capable of sinking and sourcing current while regulating the output voltage precisely at REFEN. The regulator is designed to handle continue current up to +/-2A with fast transient response. If the application requires high load current with low voltage dropped, a large output capacitor with lower ESR(Equivalent Series

Resistance) connected at VOUT is recommended. Thermal dissipation should be considered if the large current continues with long duration time. If the junction temperature exceeds the thermal shutdown point, the VOUT will turn to tri-state.

Component Selection

In order to obtain the best performance from the EUP7171, using lower **ESR** capacitor is necessary to Cin and Cout for high current load. The **ESR** of the output bulk capacitor primarily affects the capability to deliver a current surge within a specified delta voltage drop (ΔV) at VOUT. With a given capacitor **ESR**, the ΔV drop will be proportional to the load current, and a step in voltage drop will occur. ($\Delta V_{\text{step-peak}} = \text{ESR} * \text{IL}$), the SSTL-2 spec indicates a maximum delta voltage drop of 40mV.

A very good, low ESR electrolytic capacitor of no less than 470uF should be placed next to the terminator, which should be placed as possible to memory array. It might be possible to reduce the total capacitance, provided the performance remains stable. Examine the behavior of the VOUT bus carefully when the system is operating and verify that deviations in the bus voltage do not exceed the DDR specification (+/-40 mV).

REFEN input is needed a high-frequency decoupling capacitor (CSS). A 0.1uF ceramic capacitor should be placed as possible to REFEN.

PCB Layout Considerations

The EUP7171 regulator is packaged in plastic SOP-8 package. This small footprint package is unable to convectively dissipate at high current levels. The junction temperature should be kept well away from the thermal shutdown temperature in normal operation. To do this, care should be taken to derate the part dependent on several variables: the thickness of copper on PCB; the area of top side copper used and the airflow. Since multiple GND pins on the SOP-8 package are internally connected, the lowest thermal resistance will result if these pins are tightly connected on larger ground traces and more copper on top side of the printed circuit board.

If the large ground trace around the IC is unavailable on top, numerous vias from the ground connection to the internal ground plane will help. The vias should be small enough to retain solder when the board is wave-soldered.

Additional improvements can be achieved with a constant airflow across the package.

Test Circuit

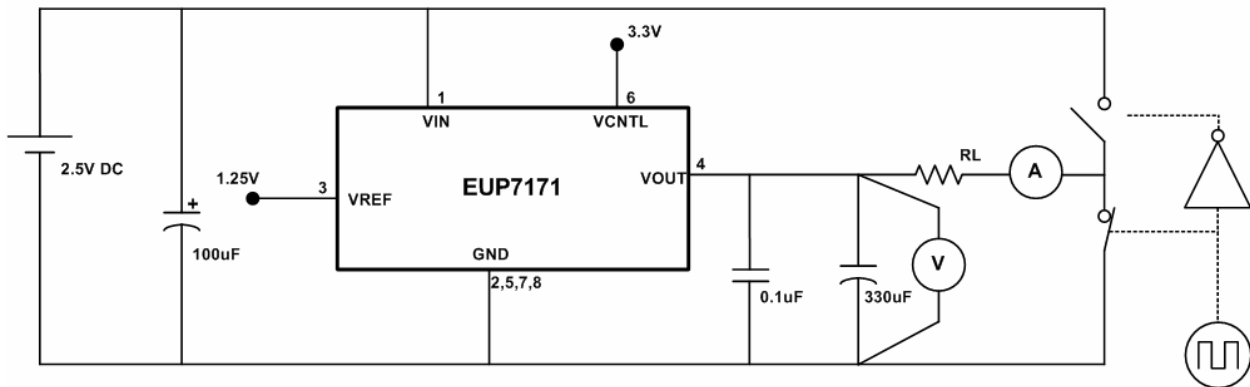
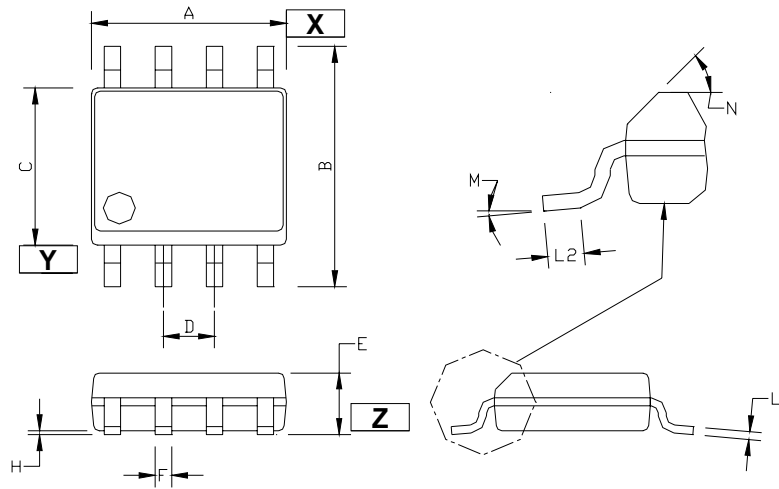
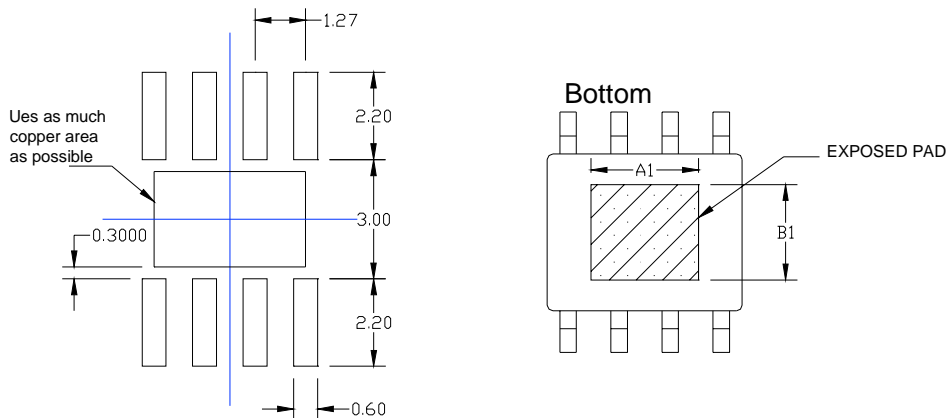


Figure 2. Load transient (+2A ~ -2A) test circuit

Packaging Information



Standard Solder Map



Symbols	Dimension in Millimeters		Dimension in Inches	
	Min.	Max.	Min.	Max.
A	4.80	5.00	0.189	0.197
B	5.80	6.20	0.228	0.244
C	3.80	4.00	0.150	0.157
D	1.194	1.346	0.047	0.053
E	1.45	1.55	0.057	0.061
H	0.00	0.10	0.000	0.004
F	0.33	0.51	0.013	0.020
L1	0.19	0.25	0.007	0.010
L2	0.40	1.27	0.016	0.050
M	0°	8°	0°	8°
N	40°	50°	40°	50°
A1	2.6	2.8	0.102	0.110
B1	2.4	2.6	0.095	0.102

8 – Lead SOP(FD) Plastic Package