

OVERVIEW

The CF1155 series are CMOS melody LSIs that, together with a battery and piezoelectric buzzer, operate in one of 3 melody modes determined by input level or bonding options. They also feature an oscillator stop function in non-play mode and a variable pull-down resistance function that responds to input levels in order to reduce power consumption, reduce cost, and extend battery life, making them ideal in a wide range of applications including greeting cards and toys.

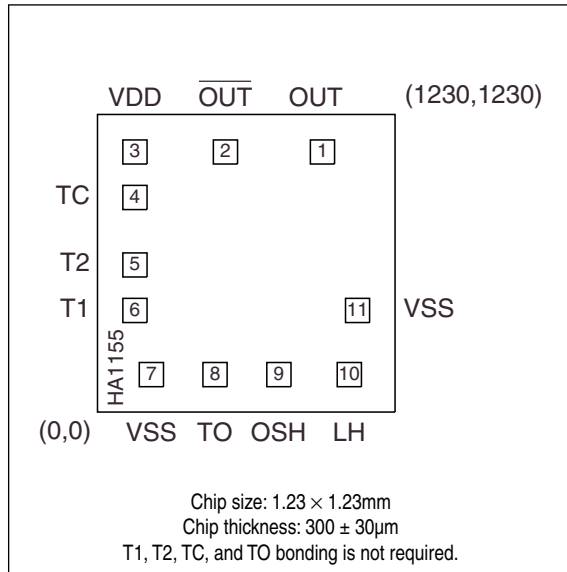
FEATURES

- Requires few external components
- 1.2 to 3.6V wide operating voltage range
- Low power consumption
- 3 melody modes (bonding option)
- Oscillator stop function in non-play mode
- Power saving pull-down resistor built-in
- RC oscillator circuit
- Power-ON initialization function
- 2 V_{SS} pad connections
- Wide pitch dynamic range (G_3 to D_7)
- Chip form

ORDERING INFORMATION

Device	Package
CF1155	Chip form

PAD LAYOUT and COORDINATES

(Unit: μm)

Number	Pad	Pad dimensions (Unit: μm)	
		X	Y
1	OUT	930	1075
2	$\overline{\text{OUT}}$	529	1075
3	VDD	155	1075
4	TC	155	887
5	T2	155	608
6	T1	155	420
7	VSS	223	155
8	TO	486	155
9	OSH	750	155
10	LH	1041	155
11	VSS	1075	420

PAD DESCRIPTION

Name	Function
OSH, LH	Melody mode control inputs. Built-in pull-down resistors mean LOW-level signals are obtained when inputs are open circuit. The resistance of the pull-down resistor varies with the applied voltage, as described in the Electrical Characteristics.
OUT, $\overline{\text{OUT}}$	Piezoelectric speaker driver outputs. Both pins are LOW in non-play mode. OUT is LOW and $\overline{\text{OUT}}$ is HIGH during output for a musical rest note. Both pins are HIGH during the gap between musical notes.
VDD	Supply. The rear surface of the chip is V_{DD} level.
VSS	Ground
T1, T2, TC	Test inputs. Pull-down resistor built-in.
TO	Test output. The oscillator frequency (typ. 50kHz) is output for monitoring purposes.

SPECIFICATIONS

Absolute Maximum Ratings

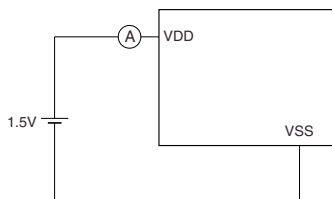
Parameter	Symbol	Condition	Rating	Unit
Supply voltage range	$V_{DD} - V_{SS}$		-0.3 to 5.0	V
Input voltage range	V_{IN}		$V_{SS} - 0.2$ to $V_{DD} + 0.2$	V
Operating temperature range	T_{opr}		-20 to 80	°C
Storage temperature range	T_{stg}		-65 to 150	°C

Electrical Characteristics

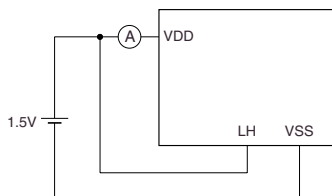
$T_a = 25^\circ\text{C}$, $V_{SS} = 0\text{V}$, $V_{DD} = 1.5\text{V}$

Parameter	Symbol	Condition	Rating			Unit
			min	typ	max	
Operating voltage	V_{DD}		1.2	1.5	3.6	V
Current consumption ¹	I_{DD1}	Non-play mode	-	0.01	0.3	μA
Current consumption ²	I_{DD2}	Melody modes: OUT, $\overline{\text{OUT}}$ open	-	25	50	μA
LH, OSH LOW-level input voltage	V_{IL}		-	-	$V_{SS} + 0.2$	V
LH, OSH HIGH-level input voltage	V_{IH}		$V_{DD} - 0.2$	-	-	V
LH, OSH LOW-level input current	I_{IL}	$V_{IL} = 0.4\text{V}$	0.7	1.5	3.0	μA
LH, OSH HIGH-level input current	I_{IH}	$V_{IH} = 1.5\text{V}$	0.7	1.5	3.0	μA
OUT, $\overline{\text{OUT}}$ LOW-level output current	I_{OL}	$V_{OL} = 0.75\text{V}$	2.0	-	-	mA
OUT, $\overline{\text{OUT}}$ HIGH-level output current	I_{OH}	$V_{OH} = 0.75\text{V}$	2.0	-	-	mA
TO oscillator frequency	f_{OSC}		35	50	65	kHz
TO frequency stability (relative to voltage)	$\Delta f/f_1$	$V_{DD} = 1.2$ to 2.0V	-	1	-	%/0.1V
	$\Delta f/f_2$	$V_{DD} > 2.0\text{V}$	-	2	-	%/1V
TO oscillator start voltage	V_{DOB}		-	-	1.2	V
TO oscillator stop voltage	V_{DOS}		-	-	1.2	V

1. Measurement circuit



2. Measurement circuit



FUNCTIONAL DESCRIPTION

Melody Modes

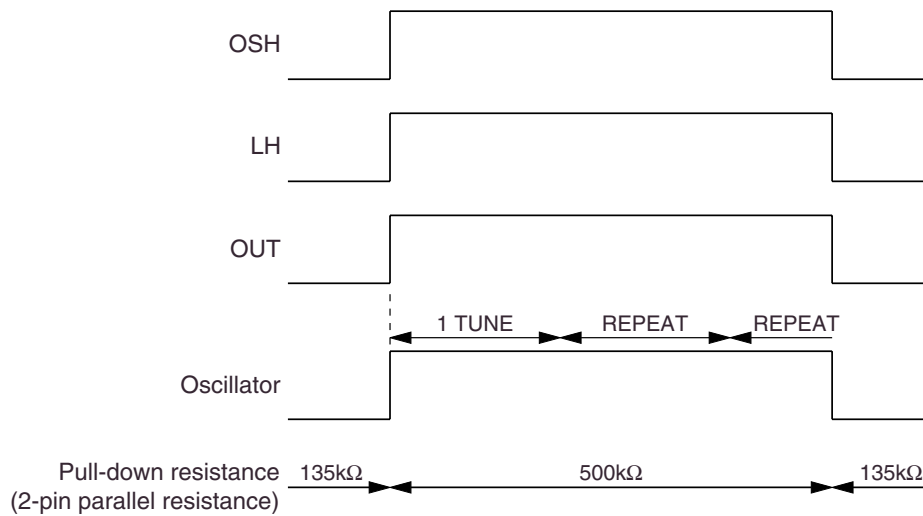
The CF1155 series melody mode is determined by the bonding options and levels on the mode control inputs OSH and LH. When either OSH or LH or both go HIGH (V_{DD}), the corresponding melody mode is selected as shown in the following table.

OSH	LH	Melody mode
HIGH	HIGH	Level hold 1
LOW	HIGH	Level hold 2
HIGH	LOW	One-shot
LOW	LOW	Non-play

Level hold 1

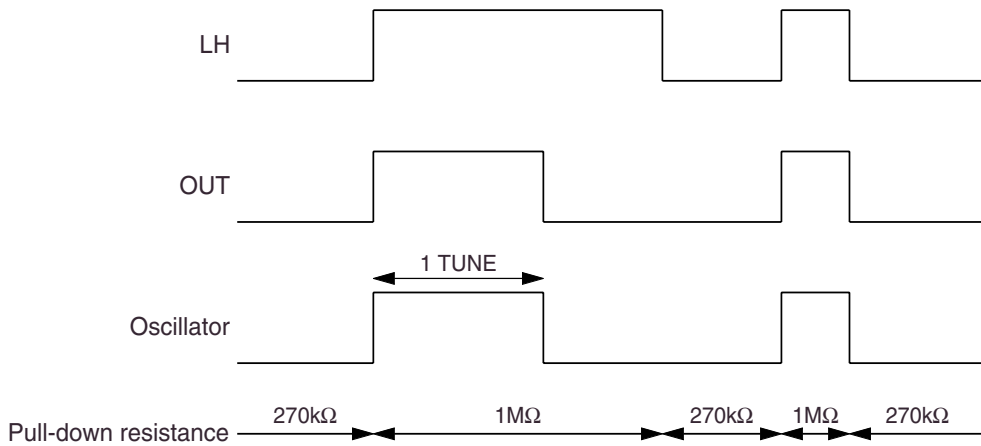
When both OSH and LH go HIGH, melody play starts and continues while both are held HIGH. When both inputs go open circuit or LOW, melody play stops, even if during mid melody.

Note that both OSH and LH inputs should be switched simultaneously using a single switch. If there is timing difference between the two inputs, then LH has priority.



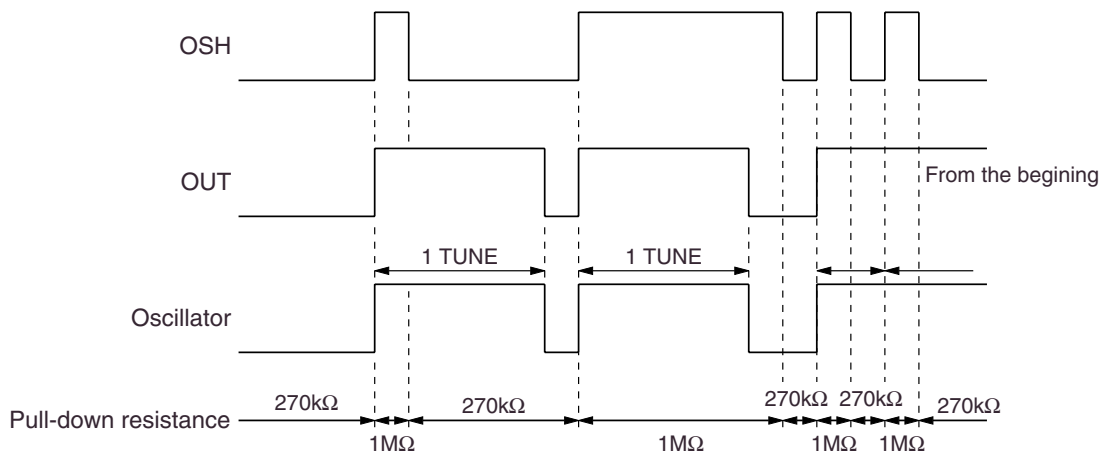
Level hold 2

When LH goes HIGH, a single melody play starts. Melody play continues until the single melody ends or LH goes open circuit or LOW, whichever occurs first.



One-shot

When OSH goes HIGH, a single melody play starts. Melody play continues until the melody ends, even if OSH goes open circuit or LOW mid melody. However, if the OSH input goes HIGH again during melody play, the melody play restarts from the beginning.



Power-save Function

As shown in the preceding timing diagrams, the oscillator stops during non-play mode and the pull-down resistance value changes in response to both HIGH-level and LOW-level inputs (power-save pull-down resistor) to reduce power consumption and extend battery life.

Non-play oscillator stop function

When melody play ends, regardless of the state of either LH or OSH, the internal oscillator stops and is placed in a standby state. In this state, the current consumption, including input pin pull-down resistor current (I_{IH} max), does not exceed $3.3\mu\text{A}$.

Power-save pull-down resistor

The resistance of the OSH and LH input pull-down resistor changes in response to the input voltage. The pull-down resistance is $1\text{M}\Omega$ when the input is HIGH, and the pull-down resistance is $270\text{k}\Omega$ when the input is LOW.

Furthermore, if a light-dependent resistor (CdS) cell is employed as a switch (the pull-down resistance is maximum when the CdS resistance is minimum (light) and the pull-down resistance is minimum when the CdS resistance is maximum (dark)), the combined resistance can be increased, decreasing current consumption.

Musical Specifications

Maximum program steps

A maximum of 64 steps can be programmed into internal mask-programmable ROM. Each step represents either a note (sound pitch and length), a rest note, or a jump. The maximum number of jumps is 7.

Note length (including rests)

Eight rhythm values, from sixteenth note to half note, for notes and rests can be programmed, as shown in the following table.

Type	Code							
	0	1	2	3	4	5	6	7
Note								
Rest								

Also, notes and rests longer than half notes and rests can be created using a tie to connect the notes. This requires 2 program steps in ROM.

Tempo

The tempo for the standard quarter note can be selected from the following 16 options.

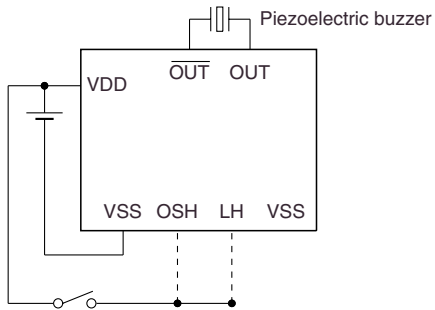
Code	0	1	2	3	4	5	6	7	8	9	A	B	C	D	E	F
$\text{♩} =$	697	348	232	174	139	116	99.4	87	77.3	69.6	63.3	58	53.5	49.7	46.4	43.5

Pitch and scale

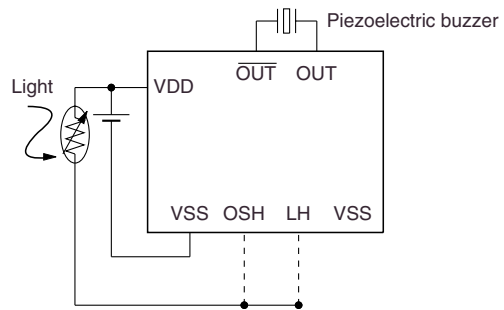
The CF1155 series devices support 3.5 octaves ranging from G_3 to D_7 , from which 15 notes can be selected to form a scale.

TYPICAL APPLICATION

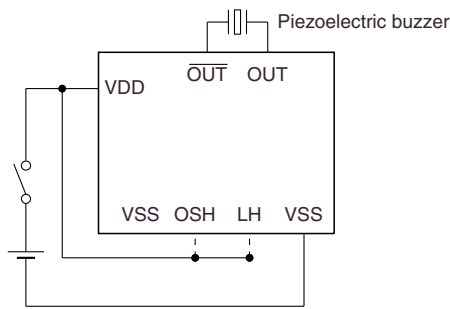
The circuits below represent the standard connections for CF1155 series devices.



Circuit 1



Circuit 3



Circuit 2

Note 1: There are 2 V_{SS} pads, and either pad can be used.

Note 2: Circuit 1 is for one-shot mode, circuit 2 for level hold 1/2 modes, and circuit 3 for CdS connection.

The bonding options for the above circuits is shown in the following table.

OSH	LH	Melody mode
Yes	Yes	Level hold 1
	Yes	Level hold 2
Yes		One-shot

Please pay your attention to the following points at time of using the products shown in this document.

The products shown in this document (hereinafter "Products") are not intended to be used for the apparatus that exerts harmful influence on human lives due to the defects, failure or malfunction of the Products. Customers are requested to obtain prior written agreement for such use from SEIKO NPC CORPORATION (hereinafter "NPC"). Customers shall be solely responsible for, and indemnify and hold NPC free and harmless from, any and all claims, damages, losses, expenses or lawsuits, due to such use without such agreement. NPC reserves the right to change the specifications of the Products in order to improve the characteristic or reliability thereof. NPC makes no claim or warranty that the contents described in this document dose not infringe any intellectual property right or other similar right owned by third parties. Therefore, NPC shall not be responsible for such problems, even if the use is in accordance with the descriptions provided in this document. Any descriptions including applications, circuits, and the parameters of the Products in this document are for reference to use the Products, and shall not be guaranteed free from defect, inapplicability to the design for the mass-production products without further testing or modification. Customers are requested not to export or re-export, directly or indirectly, the Products to any country or any entity not in compliance with or in violation of the national export administration laws, treaties, orders and regulations. Customers are requested appropriately take steps to obtain required permissions or approvals from appropriate government agencies.

The logo for SEIKO NPC CORPORATION, consisting of the letters 'NPC' in a bold, black, sans-serif font.

SEIKO NPC CORPORATION

15-6, Nihombashi-kabutocho, Chuo-ku,
Tokyo 103-0026, Japan
Telephone: +81-3-6667-6601
Facsimile: +81-3-6667-6611
<http://www.npc.co.jp/>
Email: sales@npc.co.jp

NC9922BE 2006.04