



UVtron is an ultraviolet detector tube that uses the photoelectric effect of metal and gas multiplication effect of electric current by means of discharge. It has a very narrow range of sensitivity from 185 nm to 300 nm and is completely insensitive to visible light. Because it used the discharge phenomenon, its sensitive is high and an adequate output voltage is obtained, making it possible to design a high-sensitivity, quick response ultraviolet detection with simple circuitry.

The UVtron reliably detects faint ultraviolet emissions from flames, making it ideal for applications such as fire alarms, arson surveillance, and burner combustion monitor devices. The UVtron can also detect discharges such as corona discharges from high-voltage power transmission lines.

FEATURES

- Capability of Detecting Very Weak Ultraviolet Rays (from 1 pW)
- Not Sensitive to Visible and Infrared Light (Solar Blind Characteristics)
- High Reliability and long service life (10 000 hours of Continual Discharge Operation)
- High Speed Response (A Few Milliseconds)
- Low Current Operation
- Compact and Lightweight

APPLICATIONS

- Combustion Monitoring Apparatus for Gas and Oil Burner
- Fire Alarm Apparatus
- Arson Watch Monitors
- Photoelectronic Counter
- Detection of Ultraviolet Ray Leakage
- Detection of Discharge Phenomenon

FLAME SENSOR UVtron®

Type No.	Feature	Dimensional Outline	Bulb Material	Electrode Material	Weight (g)	Spectral Response (nm) Symbol (Fig. 2)	Maximum Rating			
							Supply Voltage (V dc)	Average Discharge Current ^(A) (mA)	Peak Current ^(B) (mA)	Operation Ambient Temperature (°C)

For Fire Detection

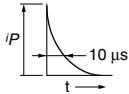
R244	High-voltage operation, standard type	①	UV Glass	Ni	3	185 to 260/A	575	3	50	-20 to +125
R259	Low-voltage operation, standard type	①	UV Glass	Ni	3	185 to 260/A	420	3	50	-20 to +125
R1753-01	Low-voltage operation, high-sensitivity	②	UV Glass	Ni	4	185 to 260/A	420	3	50	-20 to +125
R2868	Low-voltage operation, small size	③	UV Glass	Ni	1.5	185 to 260/A	400	1	30	-20 to +60
R9454	Small size, resist mechanical shock	④	UV Glass	Ni	1.5	185 to 260/A	500	1	30	-20 to +60
R9533	Low-voltage operation, resist mechanical shock	⑤	UV Glass	Ni	2.5	185 to 260/A	400	1	30	-20 to +125

For Burner Monitoring

R259-01	Low-voltage operation, standard type	①	UV Glass	Mo	3	185 to 300/B	420	5	100	-20 to +125
R1868	Low-voltage, high-current operation	⑥	UV Glass	W	4	185 to 280/C	425 (300 ^⑥)	10	200	-20 to +125
R2121	High-voltage, high-current operation	⑥	UV Glass	W	4	185 to 280/C	575 (400 ^⑥)	10	200	-20 to +125

(A) Even at these current values, the electrodes are not consumed immediately, but the service life is noticeably reduced. Use the tube within the recommended current values.

(B) This is the maximum momentary current that can be handled if its full width at half maximum is less than 10 μs.



(C) These are representative values for a wavelength of 200 nm and a light input of 10 pW/cm². Think of these values as relative sensitivity values. In actual use, the sensitivity will vary with the wavelength of the ultraviolet radiation and the drive circuitry employed.

(D) Measured under room illuminations (approximately 500 lux) and recommended operating conditions. Note that these values will increase somewhat in outdoor uses due to the effect of sunlight.

(E) This is the service life under the recommend operating conditions. Since high ambient temperatures will reduce the service life, when using the tube in a high-temperature application, such as a burner monitor, consider using air-cooling.

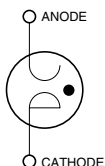
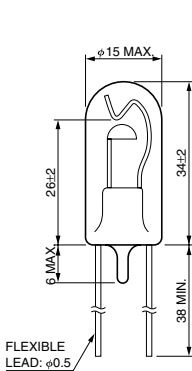
(F) When configuring the tube with an external quenching circuit, use circuit constants so that the quenching time becomes longer than these values listed. When using a pulse driven circuit using CR, if the applied voltage is in the recommended range, the quenching time t_q can be calculated with the following formula. (Refer to the diagram of the recommended operating circuit.)

$$t_q \approx 0.5 \times C_1 \cdot R_1$$

(G) The RMS voltage when pulsating current is supplied.

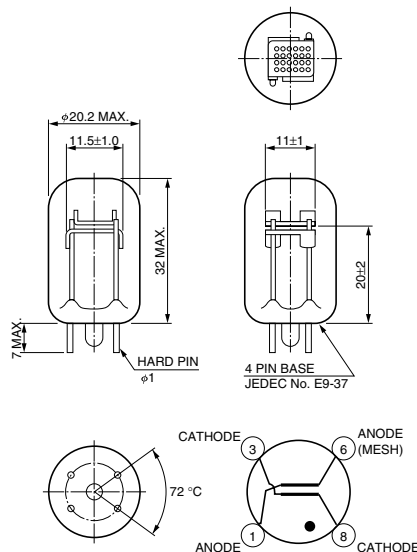
Figure 1: Dimensional Outline (Unit: mm)

① R244, R259, R259-01



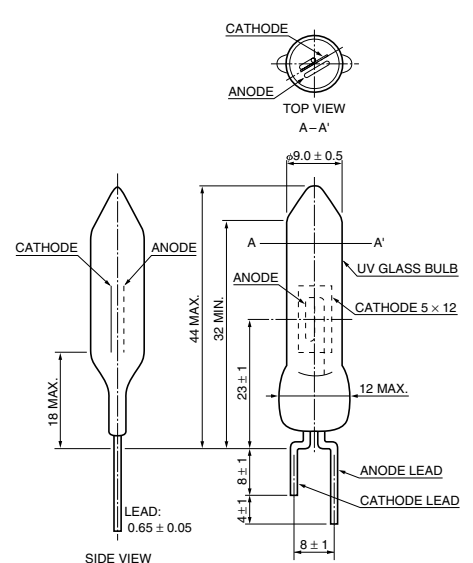
TPT A0038EA

② R1753-01



TPT A0039EA

③ R2868



TPT A0023EB

Characteristics (at 25 °C)					Recommended Operating Parameters			Socket (Sold Separately) (Fig. 3)	Type No.
Discharge Starting Voltage Max. (V dc)	Discharge Sustaining Voltage Typ. (V dc)	Sensitivity ^(C) Typ. (min ⁻¹)	Background ^(D) Min. (min ⁻¹)	Service Life ^(E) Typ. (hours)	Supply Voltage (V dc)	Average Discharge Current (mA)	Quenching ^(F) Time Min. (ms)		

440	330	600	5	10000	500±50	0.3	1	—	R244
260	220	600	5	10000	325±25	0.3	1	—	R259
260	185	10000	5	10000	325±25	0.3	2	E678-9C	R1753-01
280	240	5000	10	10000	325±25	0.3	2	—	R2868
360	300	4000	10	10000	400±25	0.3	2	—	R9454
280	230	10000	10	10000	350±25	0.3	1	E678-8F	R9533

260	200	200	10	10000	325±25	0.5	1	—	R259-01
240 (170 ^(G))	170	1500	10	10000	310±30 (220±20 ^(G))	2	2	E678-9C	R1868
440 (310 ^(G))	310	1500	10	10000	500±50 (350±35 ^(G))	2	2	E678-9C	R2121

Figure 2: Spectral Response

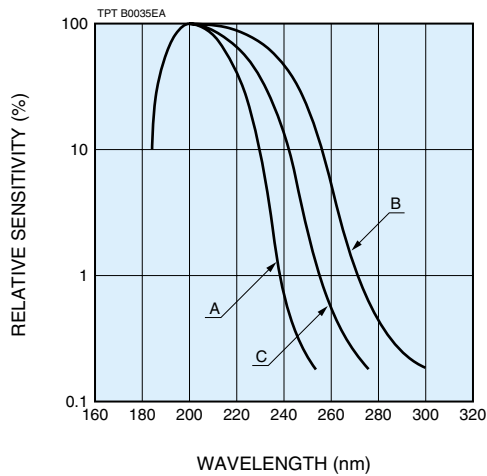
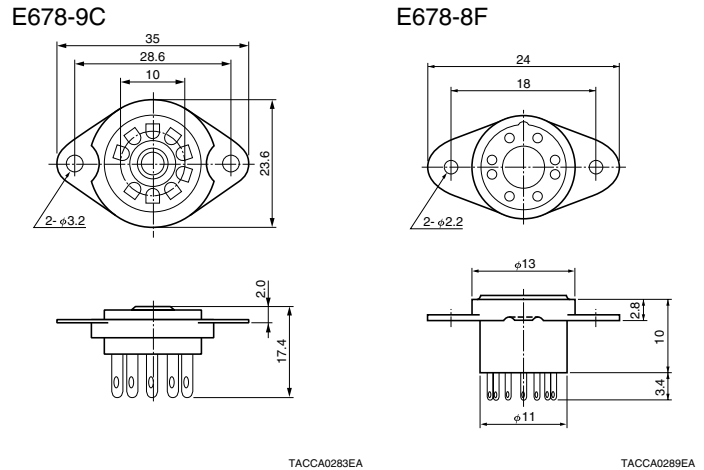
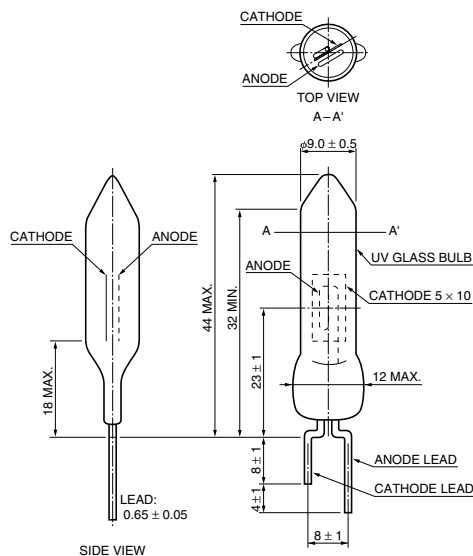


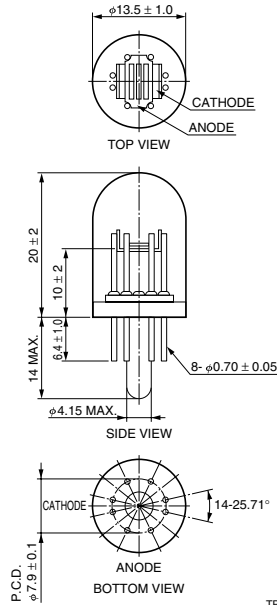
Figure 3: Sockets (Unit: mm)



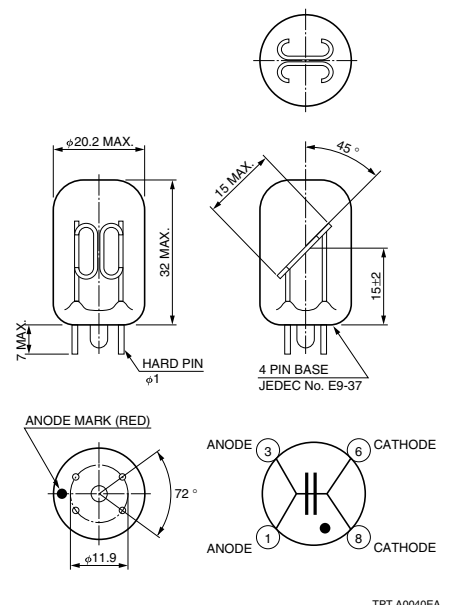
④ R9454



⑤ R9533

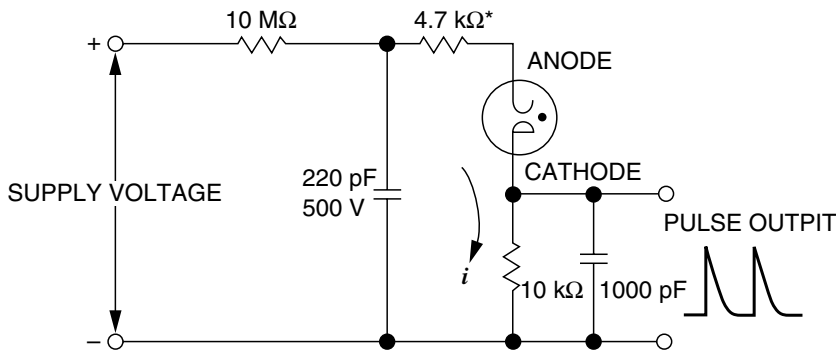


⑥ R1868, R2121



FLAME SENSOR UVtron®

Figure 4: Recommended Driver Circuits



* This 4.7 kΩ resistor must be connected within 2.5 cm from the tip of the UVtron anode lead.

TPT C0016EA

■ PRECAUTIONS FOR USING THE UV TRON

● UV TRON light emission

When the UVtron discharges, it emits ultraviolet radiation. If a number of UVtron are used in close proximity, they must be arranged so that they will not interfere with each other optically.

● Humidity

Humidity around the leads for the UVtron generates leak current, dropping the anode voltage, and stopping the tube from operating. In particular, if dirt, dust etc. get on the leads, that makes it easier for humidity to be absorbed, so keep the area around the leads clean.

● Dirt on the window

Since the UVtron operates at high voltage, static electricity causes dust to build up on the surface of the glass bulb. This invites lowering of the ultraviolet transmissivity and sensitivity of the UVtron, so periodic maintenance, such as wiping off with gauze dipped in alcohol, is necessary.

● Soldering

For mounting the UVtron on a printed circuit board, solder it quickly (350 °C for less than 5 seconds). If the leads are heated excessively, the glass can crack or the characteristics of the UVtron deteriorate. After soldering, wipe away the solder flux with alcohol or a similar agent. If the leads are left dirty, current leak due to humidity will lower the voltage applied to the UVtron socket available from HAMAMATSU.

● Vibration and shock

UVtrons have passed vibration and shock tests in compliance with JIS C 60068-2-6 (sinusoidal vibration test - R9454, R9533: 3.0 mm peak to peak, 200 m/s², 10 Hz to 2000 Hz; other types: 1.5 mm peak to peak, 100 m/s², 10 Hz to 500 Hz) and JIS C 60068-2-27 (shock test - R9454, R9533: 10000 m/s², 1 ms; other types: 1000 m/s², 11 ms). However Cif subjected to strong mechanical shocks such as drop impacts, the glass envelope may crack or internal electrodes may deform resulting in poor electrical characteristics. So use extreme caution when handling the UVtron.

● Polarity

Connect the UVtron with correct polarity. Reverse polarity connection will cause malfunction or breakdown.

■ WARRANTY

The UV TRON is covered by a warranty for a period of one year after delivery. The warranty is limited to replacement of any defective tube due to defects traceable to the manufacturer.

HAMAMATSU

WEB SITE www.hamamatsu.com

HAMAMATSU PHOTONICS K.K., Electron Tube Division

314-5, Shimokanzo, Iwata City, Shizuoka Pref., 438-0193, Japan, Telephone: (81)539/62-5248, Fax: (81)539/62-2205

U.S.A.: Hamamatsu Corporation, 360 Foothill Road, P. O. Box 6910, Bridgewater, N.J. 08807-0910, U.S.A., Telephone: (1)908-231-0960, Fax: (1)908-231-1218 E-mail: usa@hamamatsu.com

Germany: Hamamatsu Photonics Deutschland GmbH, Arzbergerstr. 10, D-82211 Herrsching am Ammersee, Germany, Telephone: (49)8152-375-0, Fax: (49)8152-2658 E-mail: info@hamamatsu.de

France: Hamamatsu Photonics France S.A.R.L.: 19, Rue du Saule Trapu, Parc du Moulin de Massy, 91882 Massy Cedex, France, Telephone: (33)1 69 53 71 00, Fax: (33)1 69 53 71 10 E-mail: infos@hamamatsu.fr

United Kingdom: Hamamatsu Photonics UK Limited: 2 Howard Court, 10 Tewin Road Welwyn Garden City Hertfordshire AL7 1BW, United Kingdom, Telephone: 44-(0)1707-294888, Fax: 44(0)1707-325777 E-mail: info@hamamatsu.co.uk

North Europe: Hamamatsu Photonics Norden AB: Smidesvägen 12, SE-171-41 SOLNA, Sweden, Telephone: (46)8-509-031-00, Fax: (46)8-509-031-01 E-mail: info@hamamatsu.se

Italy: Hamamatsu Photonics Italia: S.R.L.: Strada della Moia, 1/E, 20020 Arese, (Milano), Italy, Telephone: (39)02-935 81 733, Fax: (39)02-935 81 741 E-mail: info@hamamatsu.it

TPT 1021E02
MAY 2007. IP