

Type: EEH2023

Product Description

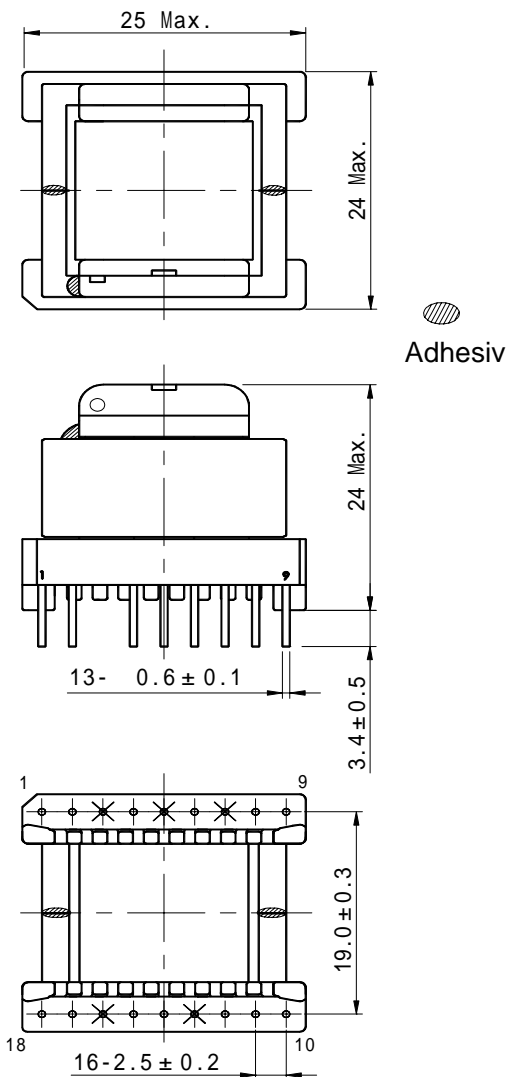
- 25.0 × 24.0mm Max.(L × W), 24.0mm Max. Height.
- In addition to the typical versions of parameters shown here, custom designs are available to meet your exact requirements



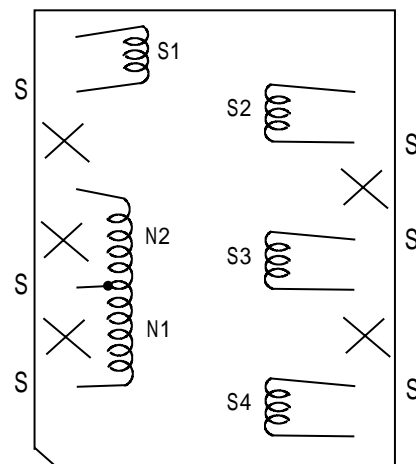
Feature

- Max. Operating frequency 500kHz. Max. Operating power 16.5W(500kHz)
- Ideally used in switching power supply.
- RoHS Compliance

Dimensions (mm)



Schematics (Bottom)



"S" is winding start

Specification

Sample No.	1362-T021
Inductance (2-6) 1kHz/1V	735μH±20%
Hi-pot(2 ~ 15 - 17,18) (50/60Hz)	AC 2000Vrms/1min.
Hi-pot (8,9 -11,12,14,15) (50/60Hz)	AC 1500Vrms/1min.
Hi-pot (11,12 - 14,15) (50/60Hz)	AC 1500Vrms/1min.
Hi-pot (winding-core) (50/60Hz)	AC 1500Vrms/1min.