



**W83627THF**  
**W83627THG**  
**Winbond LPC I/O**

Date: Sep. 26, 2006      Revision: 1.22

# W83627THF/W83627THG



## W83627THF/W83627THG Data Sheet Revision History

	PAGES	DATES	VERSION	WEB VERSION	MAIN CONTENTS
1	N.A.	01/16/2003	0.50		First published preliminary version.
2	P.104 P.117~120	03/25/2003	0.60		SUSLED data correction. Add Item 7.8.9
3	P.116~122	04/10/2003	0.70		Update Appendix A to demo circuit
4	P.7 P.18	08/05/2003	0.80		Add Block Diagram Add description for GP26(Pin93)
5	P.8	02/16/2004	0.81		Modify PIN CONFIGURATION
6		03/09/3002	0.90		Update VCN and APN in Chapter 13,14.
7	P.116	07/22/04	1.0		Add lead-free part number --- W83627THG
8		11/09/04	1.1		Correct typo at Chapter 14..
9	P.19	01/19/05	1.2		Add description on GP40(pin 75).
10	P.8	04/13/05	1.21		Correct pin configuration.
11	P.8	09/26/2006	1.22		Add DC characteristics.



## Table of Contents-

1. GENERAL DESCRIPTION.....	1
2. FEATURES .....	3
3. PIN DESCRIPTION.....	8
3.1  LPC Interface .....	9
3.2  FDC Interface.....	10
3.3  Multi-Mode Parallel Port.....	11
3.4  Serial Port Interface .....	13
3.5  KBC Interface.....	14
3.6  Hardware Monitor Interface .....	14
3.7  Game Port.....	15
3.8  General Purpose I/O Port .....	15
3.8.1  General Purpose I/O Port 1 (Power source is Vcc).....	15
3.8.2  General Purpose I/O Port 2 (Power source is Vcc).....	16
3.8.3  General Purpose I/O Port 3, 4 (Power source is VSB) .....	16
3.8.4  General Purpose I/O Port 5 (Power source is VCC).....	17
3.9  POWER PINS .....	18
3.10  GPIO PIN Power Source .....	18
4. GENERAL PURPOSE I/O.....	19
5. HARDWARE MONITOR .....	21
5.1  General Description .....	21
5.2  Access Interface.....	21
5.3  Analog Inputs .....	23
5.3.1  Monitor over 4.096V voltage:.....	24
5.3.2  CPUVCORE voltage detection method: .....	24
5.3.3  Temperature Measurement Machine.....	25
5.4  FAN Speed Count and FAN Speed Control .....	26
5.4.1  Fan speed count.....	26
5.4.2  Fan speed control.....	28
5.5  SmartFan™ Control .....	28
5.5.1  Thermal Cruise mode .....	29
5.5.2  Fan Speed Cruise mode.....	30
5.5.3  Manual Control Mode .....	31
5.6  SMI# interrupt mode.....	31
5.6.1  Voltage SMI# mode : .....	31
5.6.2  Fan SMI# mode : .....	31
5.6.3  The W83627THF temperature sensor 1(SYSTIN) SMI# interrupt has 3 modes: .....	32
5.6.4  The W83627THF temperature sensor 2(CPUTIN) and sensor 3(AUXTIN) SMI# interrupt has two modes and it is programmed at CR[4Ch] bit 6. ....	33
5.7  OVT# interrupt mode.....	34



5.8	REGISTERS AND RAM.....	35
5.8.1	Address Port (Port x5h) .....	35
5.8.2	Data Port (Port x6h).....	35
5.8.3	Configuration Register — Index 40h.....	36
5.8.4	Interrupt Status Register 1— Index 41h.....	37
5.8.5	Interrupt Status Register 2 — Index 42h.....	37
5.8.6	SMI# Mask Register 1 — Index 43h .....	38
5.8.7	SMI# Mask Register 2 — Index 44h .....	38
5.8.8	Reserved Register — Index 45h—46h .....	39
5.8.9	Fan Divisor Register I — Index 47h.....	39
5.8.10	Value RAM — Index 20h- 3Fh.....	39
5.8.11	Device ID Register - Index 49h.....	41
5.8.12	Reserved Register — Index 4Ah .....	41
5.8.13	Fan Divisor Register II - Index 4Bh.....	41
5.8.14	SMI#/OVT# Control Register- Index 4Ch.....	42
5.8.15	FAN IN/OUT and BEEP Control Register- Index 4Dh.....	42
5.8.16	Register 50h ~ 5Fh Bank Select Register - Index 4Eh .....	43
5.8.17	Winbond Vendor ID Register - Index 4Fh.....	44
5.8.18	Winbond Test Register -- Index 50h - 55h (Bank 0).....	44
5.8.19	BEEP Control Register 1-- Index 56h (Bank 0).....	44
5.8.20	BEEP Control Register 2-- Index 57h (Bank 0).....	45
5.8.21	Chip ID -- Index 58h (Bank 0) .....	46
5.8.22	Diode Selection Register -- Index 59h (Bank 0) .....	46
5.8.23	Reserved -- Index 5Ah (Bank 0) .....	47
5.8.24	Reserved -- Index 5Bh (Bank 0) .....	47
5.8.25	Reserved -- Index 5Ch (Bank 0) .....	47
5.8.26	VBAT Monitor Control Register -- Index 5Dh (Bank 0) .....	47
5.8.27	Reserved Register --5Eh (Bank 0).....	48
5.8.28	Reserved Register --5Fh (Bank 0).....	48
5.8.29	CPUTIN Temperature Sensor Temperature (High Byte) Register - Index 50h (Bank 1).....	48
5.8.30	CPUTIN Temperature Sensor Temperature (Low Byte) Register - Index 51h (Bank 1) .....	48
5.8.31	CPUTIN Temperature Sensor Configuration Register - Index 52h (Bank 1).....	49
5.8.32	CPUTIN Temperature Sensor Hysteresis (High Byte) Register - Index 53h (Bank 1) .....	49
5.8.33	CPUTIN Temperature Sensor Hysteresis (Low Byte) Register - Index 54h (Bank 1) .....	50
5.8.34	CPUTIN Temperature Sensor Over-temperature (High Byte) Register - Index 55h (Bank1).....	50
5.8.35	CPUTIN Temperature Sensor Over-temperature (Low Byte) Register - Index 56h (Bank 1).....	51
5.8.36	AUXTIN Temperature Sensor Temperature (High Byte) Register - Index 50h (Bank 2).....	51
5.8.37	AUXTIN Temperature Sensor Temperature (Low Byte) Register - Index 51h (Bank 2).....	52
5.8.38	AUXTIN Temperature Sensor Configuration Register - Index 52h (Bank 2).....	52
5.8.39	AUXTIN Temperature Sensor Hysteresis (High Byte) Register - Index 53h (Bank 2).....	53
5.8.40	AUXTIN Temperature Sensor Hysteresis (Low Byte) Register - Index 54h (Bank 2) .....	53
5.8.41	AUXTIN Temperature Sensor Over-temperature (High Byte) Register - Index 55h (Bank 2) .....	53
5.8.42	AUXTIN Temperature Sensor Over-temperature (Low Byte) Register - Index 56h (Bank 2).....	54

# W83627THF/W83627THG



5.8.43	Interrupt Status Register 3 -- Index 50h (BANK4)	54
5.8.44	SMI# Mask Register 3 -- Index 51h (BANK 4)	55
5.8.45	Reserved Register -- Index 52h (Bank 4)	55
5.8.46	BEEP Control Register 3-- Index 53h (Bank 4)	55
5.8.47	SYSTIN Temperature Sensor Offset Register -- Index 54h (Bank 4)	56
5.8.48	CPUTIN Temperature Sensor Offset Register -- Index 55h (Bank 4)	56
5.8.49	AUXTIN Temperature Sensor Offset Register -- Index 56h (Bank 4)	57
5.8.50	Reserved Register -- Index 57h--58h (Bank4)	57
5.8.51	Real Time Hardware Status Register I -- Index 59h (Bank 4)	57
5.8.52	Real Time Hardware Status Register II -- Index 5Ah (Bank 4)	58
5.8.53	Real Time Hardware Status Register III -- Index 5Bh (Bank 4)	58
5.8.54	Reserved Register -- Index 5Ch (Bank 4)	59
5.8.55	Reserved Register -- Index 5Dh (Bank 4)	59
5.8.56	Value RAM 2— Index 50h - 5Ah (BANK 5)	59
5.8.57	Winbond Test Register -- Index 50h (Bank 6)	60
5.8.58	Reserved Register--Index00h (Bank 0)	60
5.8.59	SYSFANOUT Output Value Control Register-- 01h (Bank 0)	60
5.8.60	Reserved Register—Index02h (Bank 0)	61
5.8.61	CPUFANOUT Output Value Control Register-- 03h (Bank 0)	61
5.8.62	FAN Configuration Register I -- Index 04h (Bank 0)	61
5.8.63	SYSTIN Target Temperature Register/ SYSFANIN Target Speed Register -- Index 05h (Bank 0)	62
5.8.64	CPUTIN Target Temperature Register/ CPUFANIN Target Speed Register -- Index 06h (Bank 0)	62
5.8.65	Tolerance of Target Temperature or Target Speed Register -- Index 07h (Bank 0)	63
5.8.66	SYSFANOUT Stop Value Register -- Index 08h (Bank 0)	64
5.8.67	CPUFANOUT Stop Value Register -- 09h (Bank 0)	64
5.8.68	SYSFANOUT Start-up Value Register -- Index 0Ah (Bank 0)	65
5.8.69	CPUFANOUT Start-up Value Register -- Index 0Bh (Bank 0)	65
5.8.70	SYSFANOUT Stop Time Register -- Index 0Ch (Bank 0)	66
5.8.71	CPUFANOUT Stop Time Register -- Index 0Dh (Bank 0)	66
5.8.72	Fan Output Step Down Time Register -- Index 0Eh (Bank 0)	66
5.8.73	Fan Output Step Up Time Register -- Index 0Fh (Bank 0)	67
5.8.74	Reserved Register—Index10h (Bank 0)	67
5.8.75	AUXFANOUT Output Value Control Register-- 11h (Bank 0)	67
5.8.76	FAN Configuration Register II -- Index 12h (Bank 0)	68
5.8.77	AUXTIN Target Temperature Register/ AUXFANIN Target Speed Register -- Index 13h (Bank 0)	68
5.8.78	Tolerance of Target Temperature or Target Speed Register -- Index 14h (Bank 0)	69
5.8.79	AUXFANOUT Stop Value Register -- Index 15h (Bank 0)	69
5.8.80	AUXFANOUT Start-up Value Register -- Index 16h (Bank 0)	70
5.8.81	AUXFANOUT Stop Time Register -- Index 17h (Bank 0)	70
5.8.82	VRM & OVT Configuration Register -- Index 18h (Bank 0)	71
5.8.83	Reserved -- Index 19h (Bank 0)	72
5.8.84	User Defined Register -- Index 1A- 1Bh (Bank 0)	72
5.8.85	Reserved Register-- Index 1Ch-1Fh (Bank 0)	72
6.	PLUG AND PLAY CONFIGURATION	73

# W83627THF/W83627THG



6.1	Compatible PnP .....	73
6.1.1	Extended Function Registers.....	73
6.1.2	Extended Functions Enable Registers (EFERs) .....	74
6.1.3	Extended Function Index Registers (EFIRs), Extended Function Data Registers(EFDRs) .....	74
6.2	Configuration Sequence .....	74
6.2.1	Enter the extended function mode .....	74
6.2.2	Configuration the configuration registers .....	74
6.2.3	Exit the extended function mode .....	75
6.2.4	Software programming example.....	75
7.	CONFIGURATION REGISTER.....	76
7.1	Chip (Global) Control Register.....	76
7.1.1	Logical Device 0 (FDC).....	81
7.1.2	Logical Device 1 (Parallel Port) .....	85
7.1.3	Logical Device 2 (UART A).....	86
7.1.4	Logical Device 3 (UART B).....	87
7.1.5	Logical Device 5 (KBC).....	89
7.1.6	Logical Device 7 (Game Port and MIDI Port and GPIO Port 1 and 5) .....	90
7.1.7	Logical Device 8 (GPIO Port 2 This power of the Port is VCC source).....	91
7.1.8	Logical Device 9 (GPIO Port 3, 4. These two ports are powered by VSB) .....	93
7.2	Logical Device A (ACPI) .....	94
7.3	Logical Device B (Hardware Monitor) .....	101
8.	AC/DC SPECIFICATIONS .....	102
8.1	Absolute Maximum Ratings .....	102
8.2	DC CHARACTERISTICS.....	102
9.	APPLICATION CIRCUITS.....	107
9.1	Parallel Port Extension FDD .....	107
9.2	Parallel Port Extension 2FDD .....	108
9.3	Four FDD Mode .....	108
10.	HOW TO READ THE TOP MARKING .....	109
11.	PACKAGE DIMENSIONS .....	110
12.	APPENDIX A : DEMO CIRCUIT .....	111
13.	W83627THF VERSION CHANGE NOTICE 1.....	118
14.	W83627THF APPLICATION NOTICE 4 (FOR E VERSION).....	119
14.1	SYSFANOUT PWM Output Frequency Configuration Register - Index 00h .....	121
14.2	SYSFANOUT Output Value Select Register - Index 01h .....	122
14.3	CPUFANOUT PWM Output Frequency Configuration Register - Index 02h.....	123
14.4	CPUFANOUT Output Value Select Register - Index 03h.....	124
14.5	FAN Configuration Register I - Index 04h.....	125
14.6	SYSFANOUT Stop Value Register - Index 08h.....	125

## W83627THF/W83627THG



14.7	CPUFANOUT Stop Value Register - Index 09h .....	126
14.8	SYSFANOUT Start-up Value Register - Index 0Ah .....	127
14.9	CPUFANOUT Start-up Value Register - Index 0Bh.....	127
14.10	SYSFANOUT Stop Time Register - Index 0Ch .....	128
14.11	CPUFANOUT Stop Time Register - Index 0Dh .....	128
14.12	Fan Output Step Down Time Register - Index 0Eh .....	129
14.13	Fan Output Step Up Time Register - Index 0Fh .....	129
14.14	AUXFANOUT PWM Output Frequency Configuration Register - Index 10h .....	130
14.15	AUXFANOUT Output Value Select Register - Index 11h .....	131
14.16	FAN Configuration Register II - Index 12h .....	132
14.17	AUXFANOUT Stop Value Register - Index 15h.....	133
14.18	AUXFANOUT Start-up Value Register - Index 16h .....	133
14.19	AUXFANOUT Stop Time Register - Index 17h.....	134

# W83627THF/W83627THG



## 1. GENERAL DESCRIPTION

W83627THF is a Winbond LPC I/O product. It integrates the following major peripheral functions in a chip: the disk driver adapter (FDC), Serial port (UART), Parallel port (SPP/EPP/ECP), Keyboard controller (KBC), SIR, Game port, MIDI port, Hardware Monitor, ACPI, On Now Wake-Up features.

The disk drive adapter functions of W83627THF include a floppy disk drive controller compatible with the industry standard 82077/765, data separator, write pre-compensation circuit, decode logic, data rate selection, clock generator, drive interface control logic, and interrupt and DMA logic. The wide range of functions integrated onto the W83627THF greatly reduces the number of components required for interfacing with floppy disk drives. The W83627THF supports four 360K, 720K, 1.2M, 1.44M, or 2.88M disk drives and data transfer rates of 250 Kb/s, 300 Kb/s, 500 Kb/s, 1 Mb/s, and 2 Mb/s.

The W83627THF provides two high-speed serial communication ports (UARTs), one of which supports serial Infrared communication. Each UART includes a 16-byte send/receive FIFO, a programmable baud rate generator, complete modem control capability, and a processor interrupts system. Both UARTs provide legacy speed with baud rate up to 115.2k bps and also advanced speed with baud rates of 230k, 460k, or 921k bps, which support higher speed modems. In addition, the W83627THF provides IR functions: IrDA 1.0 (SIR for 1.152K bps)

The W83627THF supports one PC-compatible printer port (SPP), Bi-directional Printer port (BPP) and also Enhanced Parallel Port (EPP) and Extended Capabilities Port (ECP). Through the printer port interface pins, also available are: Extension FDD Mode and Extension 2FDD Mode allowing one or two external floppy disk drives to be connected.

The configuration registers support mode selection, function enable/disable, and power down function selection. Furthermore, the configurable PnP features are compatible with the plug-and-play feature demand of Windows 95/98™, which makes system resource allocation more efficient than ever.

The W83627THF provides functions that complies with ACPI (*Advanced Configuration and Power Interface*), which includes support of legacy and ACPI power management through PME# or PSOUT# function pins. For OnNow keyboard Wake-Up, OnNow mouse Wake-Up. The W83627THF also has auto power management to reduce the power consumption.

The keyboard controller is based on 8042 compatible instruction set with a 2K Byte programmable ROM and a 256-Byte RAM bank. Keyboard BIOS firmware are available with optional AMIKEY™-2, Phoenix MultiKey/42™, or customer code.

The W83627THF provides a set of flexible I/O control functions to the system designer through a set of General Purpose I/O ports. These GPIO ports may serve as simple I/O or may be individually configured to provide a predefined alternate function.



## W83627THF/W83627THG



The W83627THF is made to fully comply with Microsoft PC98 and PC99 Hardware Design Guide. Moreover, W83627THF is made to meet the specification of PC2001's requirement in the power management: ACPI 1.0/1.0b/2.0 and DPM (Device Power Management).

The W83627THF contains a game port and a MIDI port. The game port is designed to support 2 joysticks and can be applied to all standard PC game control devices. They are very important for an entertainment or consumer computer.

The W83627THF supports hardware status monitoring for personal computers. It can be used to monitor several critical hardware parameters of the system, including power supply voltages, fan speeds, and temperatures, which are very important for a high-end computer system to work stably and properly. Moreover, W83627THF support the Smart Fan control system, including the "Thermal Cruise<sup>TM</sup>" and "Speed Cruise<sup>TM</sup>" functions. Smart Fan can make system more stable and user friendly.

The special characteristic of Super I/O product line is to avoid power rails short. This is especially true to a multi-power system where power partition is much more complex than a single-power one. Special care might be applied during layout stage or the IC will fail even though its intended function is OK.



## 2. FEATURES

### General

- Meet LPC Spec. 1.1
- Support LDRQ#(LPC DMA), SERIRQ (serial IRQ)
- Compliant with Microsoft PC98/PC2001 Hardware Design Guide
- Support DPM (Device Power Management), ACPI
- Programmable configuration settings
- Single 24 or 48 MHz clock input

### FDC

- Compatible with IBM PC AT disk drive systems
- Variable write pre-compensation with track selectable capability
- Support vertical recording format
- DMA enable logic
- 16-byte data FIFOs
- Support floppy disk drives and tape drives
- Detects all overrun and underrun conditions
- Built-in address mark detection circuit to simplify the read electronics
- FDD anti-virus functions with software write protect and FDD write enable signal (write data signal was forced to be inactive)
- Support up to four 3.5-inch or 5.25-inch floppy disk drives
- Completely compatible with industry standard 82077
- 360K/720K/1.2M/1.44M/2.88M format; 250K, 300K, 500K, 1M, 2M bps data transfer rate
- Support 3-mode FDD, and its Win95/98/NT/2K/XP driver

### UART

- Two high-speed 16550 compatible UARTs with 16-byte send/receive FIFOs
- MIDI compatible
- Fully programmable serial-interface characteristics:
  - 5, 6, 7 or 8-bit characters
  - Even, odd or no parity bit generation/detection
  - 1, 1.5 or 2 stop bits generation

## W83627THF/W83627THG



- Internal diagnostic capabilities:
  - Loop-back controls for communications link fault isolation
  - Break, parity, overrun, framing error simulation
- Programmable baud generator allows division of 1.8461 MHz and 24 MHz by 1 to (216-1)
- Maximum baud rate up to 921k bps for 14.769 MHz and 1.5M bps for 24 MHz

### Infrared

- Support IrDA version 1.0 SIR protocol with maximum baud rate up to 115.2K bps
- Support SHARP ASK-IR protocol with maximum baud rate up to 57,600 bps

### Parallel Port

- Compatible with IBM parallel port
- Support PS/2 compatible bi-directional parallel port
- Support Enhanced Parallel Port (EPP) – Compatible with IEEE 1284 specification
- Support Extended Capabilities Port (ECP) – Compatible with IEEE 1284 specification
- Extension FDD mode supports disk drive B; and Extension 2FDD mode supports disk drives A and B through parallel port
- Enhanced printer port back-drive current protection

### Keyboard Controller

- Asynchronous Access to Two Data Registers and One status Register
- Software compatibility with the 8042
- Support PS/2 mouse
- Support port 92
- Support both interrupt and polling modes
- Fast Gate A20 and Hardware Keyboard Reset
- 8 Bit Timer/ Counter
- Support binary and BCD arithmetic
- 6 MHz, 8 MHz, 12 MHz, or 16 MHz operating frequency

### Game Port

- Support two separate Joysticks
- Support every Joystick two axis (X, Y) and two button (A, B) controllers

# W83627THF/W83627THG



## **MIDI Port**

- The baud rate is 31.25 K baud rate
- 16-byte input FIFO
- 16-byte output FIFO

## **General Purpose I/O Ports**

- 6 sets programmable general purpose I/O ports
- General purpose I/O ports can serve as simple I/O ports, interrupt steering inputs, watching dog timer output, power LED output, infrared I/O pins, KBC control I/O pins, suspend LED output, RSMRST# signal, PWROK signal, STR (suspend to DRAM) function, VID control function,

## **OnNow Functions**

- Keyboard Wake-Up by programmable keys
- Mouse Wake-Up by programmable buttons
- On Now Wake-Up from all of the ACPI sleeping states (S1-S5)

## **Hardware Monitor Functions**

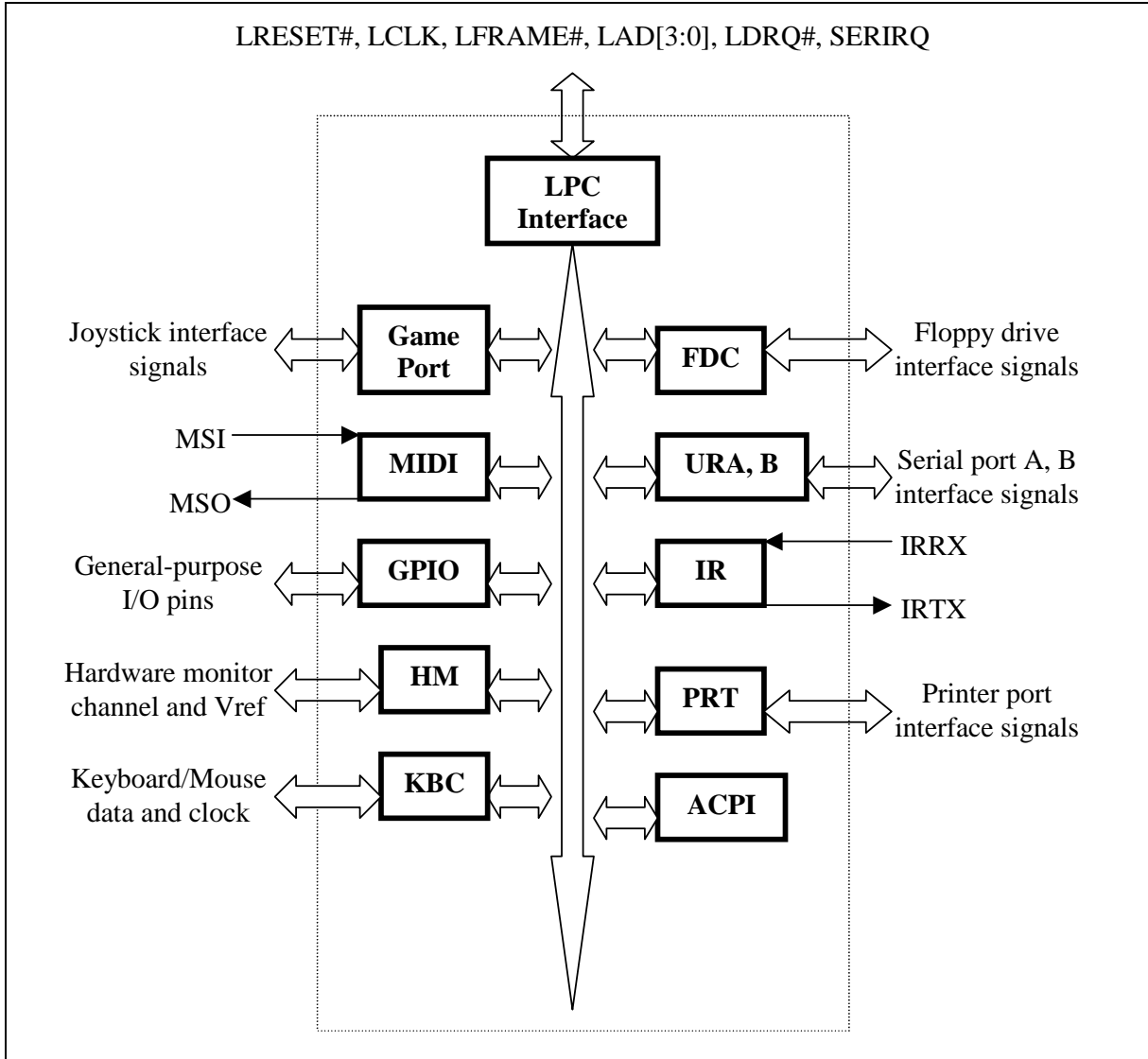
- Smart fan control system, support "Thermal Cruise™" and "Speed Cruise™"
- 3 thermal inputs from optionally remote thermistors or 2N3904 transistors or Pentium™ II/III/4 thermal diode output
- 4 external voltage detect inputs.
- 3 intrinsic voltage monitoring (typical for Vbat, +5VSB , +5VCC)
- 3 fan speed monitoring inputs
- 3 fan speed control (DC analog output)
- Build in Case open detection circuit
- WATCHDOG comparison of all monitored values
- Programmable hysteresis and setting points for all monitored items
- Over temperature indicate output
- Issue SMI#, IRQ, OVT# to activate system protection
- Winbond Hardware Doctor™ Support
- Intel LDCM™ compatible

## **Package**

- 128-pin PQFP



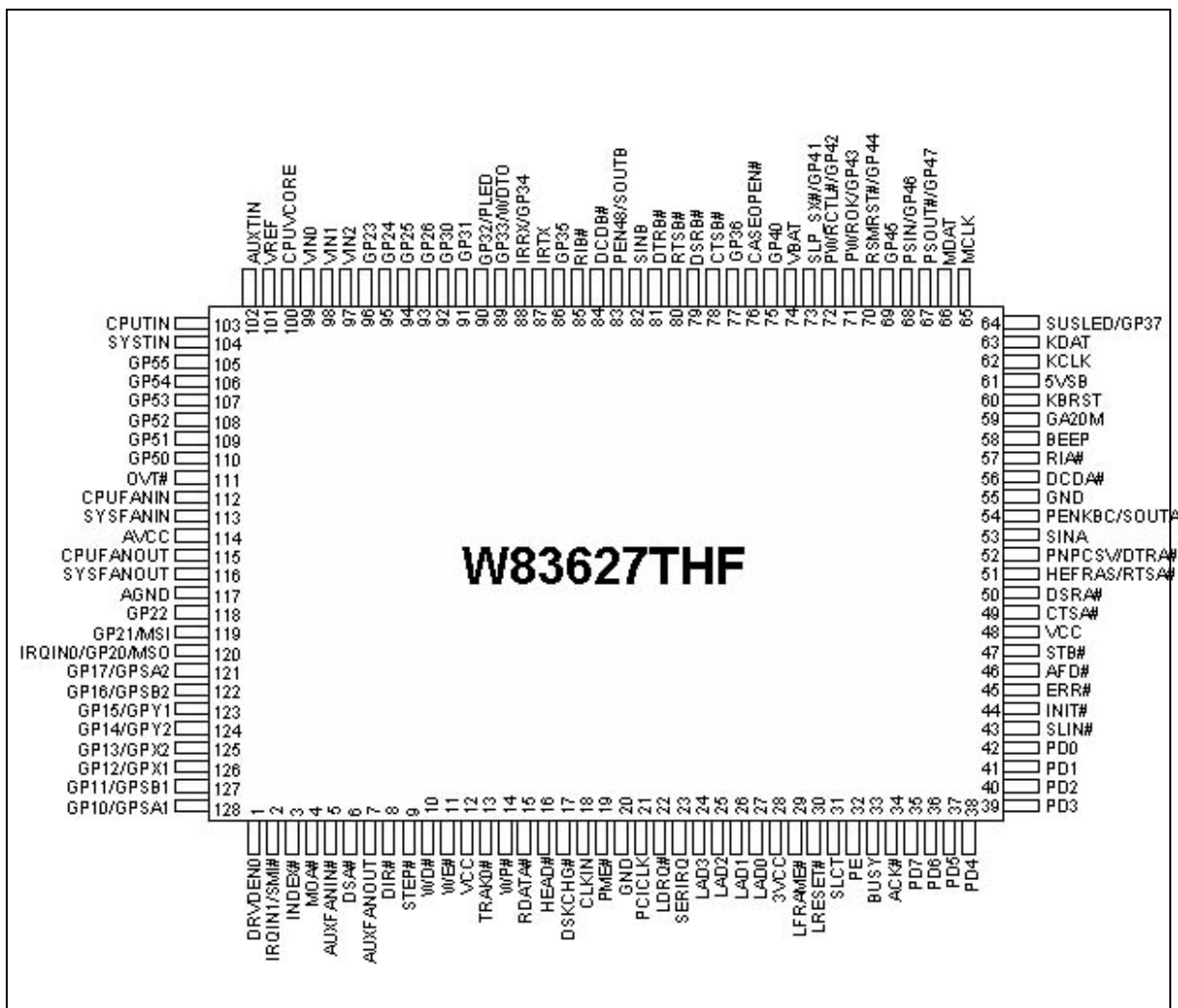
BLOCK DIAGRAM FOR 627THF



# W83627THF/W83627THG



## PIN CONFIGURATION FOR 627THF



Note: Please refer to Section 8.2 DC CHARACTERISTICS for details.



### 3. PIN DESCRIPTION

TYPE	DESCRIPTION
I/O <sub>8t</sub>	TTL level bi-directional pin with 8mA source-sink capability
I/O <sub>12t</sub>	TTL level bi-directional pin with 12mA source-sink capability
I/O <sub>24t</sub>	TTL level bi-directional pin with 24 mA source-sink capability
I/O <sub>12tp3</sub>	3.3V TTL level bi-directional pin with 12mA source-sink capability
I/O <sub>12ts</sub>	TTL level Schmitt-trigger bi-directional pin with 12mA source-sink capability
I/O <sub>24ts</sub>	TTL level Schmitt-trigger bi-directional pin with 24mA source-sink capability
I/O <sub>24tsp3</sub>	3.3V TTL level Schmitt-trigger bi-directional pin with 24mA source-sink capability
I/OD <sub>12t</sub>	TTL level bi-directional pin and open-drain output with 12mA sink capability
I/OD <sub>24t</sub>	TTL level bi-directional pin and open-drain output with 24mA sink capability
I/OD <sub>12ts</sub>	TTL level Schmitt-trigger bi-directional pin and open-drain output with 12mA sink capability
I/OD <sub>16ts</sub>	TTL level Schmitt-trigger bi-directional pin and open-drain output with 16mA sink capability
I/OD <sub>24ts</sub>	TTL level Schmitt-trigger bi-directional pin and open-drain output with 24mA sink capability
I/OD <sub>12cs</sub>	CMOS level Schmitt-trigger bi-directional pin and open-drain output with 12mA sink capability
I/OD <sub>16cs</sub>	CMOS level Schmitt-trigger bi-directional pin and open-drain output with 16mA sink capability
I/OD <sub>12csd</sub>	CMOS level Schmitt-trigger bi-directional pin with internal pull down resistor and open-drain output with 12mA sink capability
I/OD <sub>12csu</sub>	CMOS level Schmitt-trigger bi-directional pin with internal pull up resistor and open-drain output with 12mA sink capability
O <sub>4</sub>	Output pin with 4 mA source-sink capability
O <sub>8</sub>	Output pin with 8 mA source-sink capability
O <sub>12</sub>	Output pin with 12 mA source-sink capability
O <sub>16</sub>	Output pin with 16 mA source-sink capability
O <sub>24</sub>	Output pin with 24 mA source-sink capability
O <sub>12p3</sub>	3.3V output pin with 12 mA source-sink capability
O <sub>24p3</sub>	3.3V output pin with 24 mA source-sink capability
OD <sub>12</sub>	Open-drain output pin with 12 mA sink capability
OD <sub>24</sub>	Open-drain output pin with 24 mA sink capability

# W83627THF/W83627THG



PIN DESCRIPTION, continued.

TYPE	DESCRIPTION
OD <sub>12p3</sub>	3.3V open-drain output pin with 12 mA sink capability
IN <sub>t</sub>	TTL level input pin
IN <sub>tp3</sub>	3.3V TTL level input pin
IN <sub>td</sub>	TTL level input pin with internal pull down resistor
IN <sub>tu</sub>	TTL level input pin with internal pull up resistor
IN <sub>ts</sub>	TTL level Schmitt-trigger input pin
IN <sub>tsp3</sub>	3.3V TTL level Schmitt-trigger input pin
IN <sub>c</sub>	CMOS level input pin
IN <sub>cd</sub>	CMOS level input pin with internal pull down resistor
IN <sub>cs</sub>	CMOS level Schmitt-trigger input pin
IN <sub>csu</sub>	CMOS level Schmitt-trigger input pin with internal pull up resistor
AOUT	Analog output
AIN	Analog input

## 3.1 LPC Interface

SYMBOL	PIN	I/O	FUNCTION
CLKIN	18	IN <sub>t</sub>	System clock input. According to the input frequency 24MHz or 48MHz, it is selectable through register. Default is 24MHz input.
PME#	19	OD <sub>8</sub>	erated P
PCICLK	21	IN <sub>tsp3</sub>	PCI 33 MHz clock input.
LDRQ#	22	OUT <sub>12tp3</sub>	Encoded DMA Request signal.
SERIRQ	23	I/OD <sub>12tp3</sub>	Serial IRQ input/Output.
LAD[3:0]	24-27	I/O <sub>12tp3</sub>	These signal lines communicate address, control, and data information over the LPC bus between a host and a peripheral.
LFRAME#	29	IN <sub>tsp3</sub>	Indicates start of a new cycle or termination of a broken cycle.
LRESET#	30	IN <sub>tsp3</sub>	Reset signal. It can connect to PCIRST# signal on the host.





### 3.2 FDC Interface

SYMBOL	PIN	I/O	FUNCTION
DRVDEN0	1	OD <sub>24</sub>	Drive Density Select bit 0.
INDEX#	3	IN <sub>cs</sub>	This Schmitt-triggered input from the disk drive is active low when the head is positioned over the beginning of a track marked by an index hole. This input pin is pulled up internally by a 1 K $\Omega$ resistor. The resistor can be disabled by bit 7 of L0-CRF0 (FIPURDWN).
MOA#	4	OD <sub>24</sub>	Motor A On. When set to 0, this pin enables disk drive 0. This is an open drain output.
DSA#	6	OD <sub>24</sub>	Drive Select A. When set to 0, this pin enables disk drive A. This is an open drain output.
DIR#	8	OD <sub>24</sub>	Direction of the head step motor. An open drain output. Logic 1 = outward motion Logic 0 = inward motion
STEP#	9	OD <sub>24</sub>	Step output pulses. This active low open drain output produces a pulse to move the head to another track.
WD#	10	OD <sub>24</sub>	Write data. This logic low open drain writes pre-compensation serial data to the selected FDD. An open drain output.
WE#	11	OD <sub>24</sub>	Write enable. An open drain output.
TRAK0#	13	IN <sub>cs</sub>	Track 0. This Schmitt-triggered input from the disk drive is active low when the head is positioned over the outermost track. This input pin is pulled up internally by a 1 K $\Omega$ resistor. The resistor can be disabled by bit 7 of L0-CRF0 (FIPURDWN).
WP#	14	IN <sub>cs</sub>	Write protected. This active low Schmitt input from the disk drive indicates that the diskette is write-protected. This input pin is pulled up internally by a 1 K $\Omega$ resistor. The resistor can be disabled by bit 7 of L0-CRF0 (FIPURDWN).
RDATA#	15	IN <sub>cs</sub>	The read data input signal from the FDD. This input pin is pulled up internally by a 1 K $\Omega$ resistor. The resistor can be disabled by bit 7 of L0-CRF0 (FIPURDWN).
HEAD#	16	OD <sub>24</sub>	Head select. This open drain output determines which disk drive head is active. Logic 1 = side 0 Logic 0 = side 1
DSKCHG#	17	IN <sub>cs</sub>	Diskette change. This signal is active low at power on and whenever the diskette is removed. This input pin is pulled up internally by a 1 K $\Omega$ . The resistor can be disabled by bit 7 of L0-CRF0 (FIPURDWN).



### 3.3 Multi-Mode Parallel Port

The following pins have alternate functions, which are controlled by CR28 and L3-CRF0.

SYMBOL	PIN	I/O	FUNCTION
SLCT	31	IN <sub>t</sub>	PRINTER MODE: An active high input on this pin indicates that the printer is selected. Refer to the description of the parallel port for definition of this pin in ECP and EPP mode.
PE	32	IN <sub>t</sub>	PRINTER MODE: An active high input on this pin indicates that the printer has detected the end of the paper. Refer to the description of the parallel port for the definition of this pin in ECP and EPP mode.
BUSY	33	IN <sub>t</sub>	PRINTER MODE: An active high input indicates that the printer is not ready to receive data. Refer to the description of the parallel port for definition of this pin in ECP and EPP mode.
ACK#	34	IN <sub>t</sub>	PRINTER MODE: ACK# An active low input on this pin indicates that the printer has received data and is ready to accept more data. Refer to the description of the parallel port for the definition of this pin in ECP and EPP mode.
ERR#	45	IN <sub>t</sub>	PRINTER MODE: ERR# An active low input on this pin indicates that the printer has encountered an error condition. Refer to the description of the parallel port for the definition of this pin in ECP and EPP mode.
SLIN#	43	OD <sub>12</sub>	PRINTER MODE: SLIN# Output line for detection of printer selection. Refer to the description of the parallel port for the definition of this pin in ECP and EPP mode.
INIT#	44	OD <sub>12</sub>	PRINTER MODE: INIT# Output line for the printer initialization. Refer to the description of the parallel port for the definition of this pin in ECP and EPP mode.
AFD#	46	OD <sub>12</sub>	PRINTER MODE: AFD# An active low output from this pin causes the printer to auto feed a line after a line is printed. Refer to the description of the parallel port for the definition of this pin in ECP and EPP mode.

# W83627THF/W83627THG



Multi-Mode Parallel Port, continued

SYMBOL	PIN	I/O	FUNCTION
STB#	47	OD <sub>12</sub>	PRINTER MODE: STB# An active low output is used to latch the parallel data into the printer. Refer to the description of the parallel port for the definition of this pin in ECP and EPP mode.
PD0	42	I/O <sub>12t</sub>	PRINTER MODE: PD0 Parallel port data bus bit 0. Refer to the description of the parallel port for the definition of this pin in ECP and EPP mode.
PD1	41	I/O <sub>12t</sub>	PRINTER MODE: PD1 Parallel port data bus bit 1. Refer to the description of the parallel port for the definition of this pin in ECP and EPP mode.
PD2	40	I/O <sub>12t</sub>	PRINTER MODE: PD2 Parallel port data bus bit 2. Refer to the description of the parallel port for the definition of this pin in ECP and EPP mode. EXTENSION FDD MODE: WP2#
PD3	39	I/O <sub>12t</sub>	PRINTER MODE: PD3 Parallel port data bus bit 3. Refer to the description of the parallel port for the definition of this pin in ECP and EPP mode.
PD4	38	I/O <sub>12t</sub>	PRINTER MODE: PD4 Parallel port data bus bit 4. Refer to the description of the parallel port for the definition of this pin in ECP and EPP mode.
PD5	37	I/O <sub>12t</sub>	PRINTER MODE: PD5 Parallel port data bus bit 5. Refer to the description of the parallel port for the definition of this pin in ECP and EPP mode.
PD6	36	I/O <sub>12t</sub>	PRINTER MODE: PD6 Parallel port data bus bit 6. Refer to the description of the parallel port for the definition of this pin in ECP and EPP mode.
PD7	35	I/O <sub>12t</sub>	PRINTER MODE: PD7 Parallel port data bus bit 7. Refer to the description of the parallel port for the definition of this pin in ECP and EPP mode.



### 3.4 Serial Port Interface

SYMBOL	PIN	I/O	FUNCTION
CTSA#	49	IN <sub>t</sub>	Clear To Send. It is the modem control input. The function of these pins can be tested by reading bit 4 of the handshake status register.
CTSB#	78	IN <sub>t</sub> I/O <sub>12t</sub>	Clear To Send. It is the modem control input. The function of these pins can be tested by reading bit 4 of the handshake status register.
DSRA#	50	IN <sub>t</sub>	Data Set Ready. An active low signal indicates the modem or data set is ready to establish a communication link and transfer data to the UART.
DSRB#	79	IN <sub>t</sub>	Data Set Ready. An active low signal indicates the modem or data set is ready to establish a communication link and transfer data to the UART.
RTSA# HEFRAS	51	I/O <sub>8t</sub>	UART A Request To Send. An active low signal informs the modem or data set that the controller is ready to send data. During power-on reset, this pin is pulled down internally and is defined as HEFRAS, which provides the power-on value for CR26 bit 6 (HEFRAS). A 4.7 kΩ is recommended if intends to pull up. (select 4EH as configuration I/O port's address)
RTSB#	80	I/O <sub>8t</sub>	UART B Request To Send. An active low signal informs the modem or data set that the controller is ready to send data.
DTRA# PNPCSV#	52	I/O <sub>8t</sub>	UART A Data Terminal Ready. An active low signal informs the modem or data set that the controller is ready to communicate. During power-on reset, this pin is pulled down internally and is defined as PNPCSV#, which provides the power-on value for CR24 bit 0 (PNPCSV#). A 4.7 kΩ is recommended if intends to pull up. (clear the default value of FDC, UARTs, PRT, Game port and MIDI port)
DTRB#	81	I/O <sub>8t</sub>	UART B Data Terminal Ready. An active low signal informs the modem or data set that controller is ready to communicate.
SINA	53	IN <sub>t</sub>	Serial Input. It is used to receive serial data through the communication link.
SINB	82	IN <sub>tt</sub>	Serial Input. It is used to receive serial data through the communication link.
SOUTA PENKBC	54	I/O <sub>8t</sub>	UART A Serial Output. It is used to transmit serial data out to the communication link. During power-on reset, this pin is pulled down internally and is defined as PENKBC, which provides the power-on value for CR24 bit 2 (ENKBC). A 4.7 kΩ resistor is recommended if intends to pull up. (enable KBC)

# W83627THF/W83627THG



Serial Port Interface, continued

SYMBOL	PIN	I/O	FUNCTION
SOUTB PEN48	83	I/O <sub>8t</sub>	UART B Serial Output. During power-on reset, this pin is pulled down internally and is defined as PEN48, which provides the power-on value for CR24 bit 6 (EN48). A 4.7 kΩ resistor is recommended if intends to pull up.
DCDA#	56	IN <sub>t</sub>	Data Carrier Detect. An active low signal indicates the modem or data set has detected a data carrier.
DCDB#	84	IN <sub>t</sub>	Data Carrier Detect. An active low signal indicates the modem or data set has detected a data carrier.
RIA#	57	IN <sub>t</sub>	Ring Indicator. An active low signal indicates that a ring signal is being received from the modem or data set.
RIB#	85	IN <sub>t</sub>	Ring Indicator. An active low signal indicates that a ring signal is being received from the modem or data set.

## 3.5 KBC Interface

SYMBOL	PIN	I/O	FUNCTION
GA20M	59	OUT <sub>12</sub>	Gate A20 output. This pin is high after system reset. (KBC P21)
KBRST	60	OUT <sub>12</sub>	Keyboard reset. This pin is high after system reset. (KBC P20)
KDAT	63	I/OD <sub>16cs</sub>	Keyboard Data.
MCLK	65	I/OD <sub>16cs</sub>	PS2 Mouse Clock.
MDAT	66	I/OD <sub>16cs</sub>	PS2 Mouse Data.

## 3.6 Hardware Monitor Interface

SYMBOL	PIN	I/O	FUNCTION
BEEP	58	OD <sub>8</sub>	Beep function for hardware monitor. This pin is low after system reset.
CASEOPEN#	76	IN <sub>t</sub>	CASE OPEN. An active low input from an external device when case is opened. This signal can be latched if pin VBAT is connect to battery, even W83627THF is power off.
VIN0	99	AIN	0V to 4.096V FSR Analog Inputs.
VIN1	98	AIN	0V to 4.096V FSR Analog Inputs.
VIN2	97	AIN	0V to 4.096V FSR Analog Inputs.
CPUVCORE	100	AIN	0V to 4.096V FSR Analog Inputs.
VREF	101	AOUT	Reference Voltage for temperature maturation.
AUXTIN	102	AIN	Temperature sensor 3 inputs. It is used for temperature maturation.
CPUTIN	103	AIN	Temperature sensor 2 inputs. It is used for CPU1 temperature maturation.



Hardware Monitor Interface, continued.

SYMBOL	PIN	I/O	FUNCTION
SYSTIN	104	AIN	Temperature sensor 1 input. It is used for system temperature maturation.
OVT#	111	OD <sub>12</sub>	Over temperature Shutdown Output. It indicated the temperature is over temperature limit.
AUXFANIN	5	I/O <sub>12ts</sub>	0V to +5V amplitude fan tachometer input.
CPUFANIN	112		
SYSFANIN	113		
SYSFANOUT	116	AOUT	Fan speed control. Output analog voltage level to control the Fan's speed.
CPUFANOUT	115		
AUXFANOUT	7		

### 3.7 Game Port

SYMBOL	PIN	I/O	FUNCTION
GPSA1 GP10	128	IN <sub>cs</sub> I/OD <sub>12cs</sub>	Active-low, Joystick I switch input 1. (Default) General purpose I/O port 1 bit 0.
GPSB1 GP11	127	IN <sub>cs</sub> I/OD <sub>12cs</sub>	Active-low, Joystick II switch input 1. (Default) General purpose I/O port 1 bit 1.
GPX1 GP12	126	I/OD <sub>12cs</sub>	Joystick I timer pin. this pin connects to X positioning variable resistors for the Joystick. (Default) General purpose I/O port 1 bit 2.
GPX2 GP13	125	I/OD <sub>12cs</sub> I/OD <sub>12cs</sub>	Joystick II timer pin. this pin connects to X positioning variable resistors for the Joystick. (Default) General purpose I/O port 1 bit 3.
GPY2 GP14	124	I/OD <sub>12cs</sub> I/OD <sub>12cs</sub>	Joystick II timer pin. this pin connects to Y positioning variable resistors for the Joystick. (Default) General purpose I/O port 1 bit 4.
GPY1 GP15	123	I/OD <sub>12cs</sub> I/OD <sub>12cs</sub>	Joystick I timer pin. this pin connects to Y positioning variable resistors for the Joystick. (Default) General purpose I/O port 1 bit 5.
GPSB2 GP16	122	IN <sub>cs</sub> I/OD <sub>12cs</sub>	Active-low, Joystick II switch input 2. This pin has an internal pull-up resistor. (Default) General purpose I/O port 1 bit 6.
GPSA2 GP17	121	IN <sub>cs</sub> I/OD <sub>12cs</sub>	Active-low, Joystick I switch input 2. This pin has an internal pull-up resistor. (Default) General purpose I/O port 1 bit 7.

### 3.8 General Purpose I/O Port

#### 3.8.1 General Purpose I/O Port 1 (Power source is Vcc)

see 3.7 Game Port



### 3.8.2 General Purpose I/O Port 2 (Power source is Vcc)

SYMBOL	PIN	I/O	FUNCTION
GP20 MSO IRQIN0	120	I/OD <sub>12t</sub> OUT <sub>12</sub> IN <sub>t</sub>	General purpose I/O port 2 bit 0. MIDI serial data output. (Default) IRQ channel input 0.
GP21 MSI	119	I/OD <sub>12t</sub> IN <sub>tu</sub>	General purpose I/O port 2 bit 1. MIDI serial data input. It is internally pulled up by a 40 K ohms resistor. (Default)
GP22	118	I/OD <sub>12t</sub>	General purpose I/O port 2 bit 2. (Default)
GP23	96	I/OD <sub>12t</sub>	General purpose I/O port 2 bit 3. (Default)
GP24	95	I/OD <sub>12t</sub>	General purpose I/O port 2 bit 4. (Default)
GP25	94	I/OD <sub>12t</sub>	General purpose I/O port 2 bit 5. (Default)
GP26	93	I/OD <sub>12t</sub>	General purpose I/O port 2 bit 6. (Default)
SMI# IRQIN1	2	OD <sub>24</sub> IN <sub>t</sub>	System Management Interrupt channel output. IRQ channel input 1.

### 3.8.3 General Purpose I/O Port 3, 4 (Power source is VSB)

SYMBOL	PIN	I/O	FUNCTION
GP30	92	I/OD <sub>12t</sub>	General purpose I/O port 3 bit 0.
GP31	91	I/OD <sub>12t</sub>	General purpose I/O port 3 bit 1.
GP32 PLED	90	I/OD <sub>24t</sub> OUT <sub>24</sub>	General purpose I/O port 3 bit 2. Power LED output.
GP33 WDTO	89	I/OD <sub>12t</sub> OUT <sub>12</sub>	General purpose I/O port 3 bit 3. (Default) Watchdog time out output.
GP34 IRRX	88	I/OD <sub>12ts</sub> IN <sub>ts</sub>	General purpose I/O port 3 bit 4. IRRX input. (Default)
IRTX	87	OUT <sub>12</sub>	Infrared Transmitter Output. (Default)
GP35	86	I/OD <sub>12t</sub>	General purpose I/O port 3 bit 5. (Default)
GP37 SUSLED/	64	I/OD <sub>24t</sub> OUT <sub>24</sub>	General purpose I/O port 3 bit 7. Suspend LED output, it can program to flash when suspend state. This function can work without VCC. (Default)
GP40	75	I/OD <sub>8t</sub>	General purpose I/O port 4 bit 0. This pin must be connected with a pull high resistor to prevent into Winbond Test Mode.

# W83627THF/W83627THG



General Purpose I/O Port 3, 4 (Power source is VSB), continued.

SYMBOL	PIN	I/O	FUNCTION
GP41 SLP_SX#	73	I/OD <sub>12t</sub> IN <sub>t</sub>	General purpose I/O port 4 bit 1. SLP_S3# input. (Default)
GP42 PWRCTL#	72	I/OD <sub>12t</sub> OD <sub>12</sub>	General purpose I/O port 4 bit 2. This pin generates the PWRCTL# signal while the power failure. (Default)
GP43 PWROK	71	I/OD <sub>12t</sub> OD <sub>12</sub>	General purpose I/O port 4 bit 3. This pin generates the PWROK signal while the VCC come in. (Default)
GP44 RSMRST#	70	I/OD <sub>12t</sub> OD <sub>12</sub>	General purpose I/O port 4 bit 4. This pin generates the RSMRST signal while the VSB come in. (Default)
GP45	69	I/OD <sub>12t</sub>	General purpose I/O port 4 bit 5.
GP46 PSIN	68	I/OD <sub>12t</sub> IN <sub>td</sub>	General purpose I/O port 4 bit 6. Panel Switch Input. This pin is high active with an internal pull down resistor. (Default)
GP47 PSOUT#	67	I/OD <sub>12t</sub> OD <sub>12</sub>	General purpose I/O port 4 bit 7. Panel Switch Output. This signal is used for Wake-Up system from S5 <sub>cold</sub> state. This pin is pulse output, active low. (Default)

### 3.8.4 General Purpose I/O Port 5 (Power source is VCC)

SYMBOL	PIN	I/O	FUNCTION
GP50	110	I/O <sub>12tp3</sub>	General purpose I/O port 5 bit 0.
GP51	109	I/O <sub>12tp3</sub>	General purpose I/O port 5 bit 1.
GP52	108	I/O <sub>12tp3</sub>	General purpose I/O port 5 bit 2.
GP53	107	I/O <sub>12tp3</sub>	General purpose I/O port 5 bit 3.
GP54	106	I/O <sub>12tp3</sub>	General purpose I/O port 5 bit 4.
GP55	105	I/O <sub>12tp3</sub>	General purpose I/O port 5 bit 5.

**Note.** The GPIO Port 5 could be used as VID input / output function for VRD10.





### 3.9 POWER PINS

SYMBOL	PIN	FUNCTION
VCC	12, 48	+5V power supply for the digital circuitry.
5VSB	61	+5V stand-by power supply for the digital circuitry.
3VCC	28	+3.3V power supply for driving 3V on host interface.
AVCC	114	Analog VCC input. Internally supplier to all analog circuitry.
VBAT	74	Battery voltage input.
AGND	117	Analog ground.
GND	20, 55	Ground.

### 3.10 GPIO PIN Power Source

SYMBOL	POWER SOURCE
GPIO port 1	Vcc
GPIO port 2	Vcc
GPIO port 3	VSB
GPIO port 4	VSB
GPIO port 5	Vcc



## 4. GENERAL PURPOSE I/O

W83627THF provides 36 input/output ports that can be individually configured to perform a simple basic I/O function or a pre-defined alternate function. Those 36 GP I/O ports are divided into five groups. The first and fifth groups are configured through control registers in logical device 7, the second group in logical device 8, and the third and fourth groups in logical device 9. Users can configure each individual port to be an input or output port by programming respective bit in selection register (CRF0/F3: 0 = output, 1 = input). Invert port value by setting inversion register (CRF2/F5: 0 = non-inverse, 1 = inverse). Port value is read/written through data register (CRF1/CRF4). Table 4-1 and 4-2 give more details on GPIO's assignment. Figure 4-1 shows the GP I/O port's structure. After power-on reset those ports default to perform basic input function which maintains its previous settings until a battery loss condition.

SELECTION BIT 0 = OUTPUT 1 = INPUT	INVERSION BIT 0 = NON INVERSE 1 = INVERSE	BASIC I/O OPERATIONS
0	0	Basic non-inverting output
0	1	Basic inverting output
1	0	Basic non-inverting input
1	1	Basic inverting input

Table 4-1

GP I/O PORT DATA REGISTER	REGISTER BIT ASSIGNMENT	GP I/O PORT
GP1(VCC POWER)	BIT 0	GP10
	BIT 1	GP11
	BIT 2	GP12
	BIT 3	GP13
	BIT 4	GP14
	BIT 5	GP15
	BIT 6	GP16
	BIT 7	GP17
GP2(VCC POWER)	BIT 0	GP20
	BIT 1	GP21
	BIT 2	GP22
	BIT 3	GP23
	BIT 4	GP24
	BIT 5	GP25
	BIT 6	GP26



continued.

GP I/O PORT DATA REGISTER	REGISTER BIT ASSIGNMENT	GP I/O PORT
<b>GP3(VSB POWER)</b>	BIT 0	GP30
	BIT 1	GP31
	BIT 2	GP32
	BIT 3	GP33
	BIT 4	GP34
	BIT 5	GP35
	BIT 6	GP36
	BIT 7	GP37
<b>GP4(VSB POWER)</b>	BIT 0	GP40
	BIT 1	GP41
	BIT 2	GP42
	BIT 3	GP43
	BIT 4	GP44
	BIT 5	GP45
	BIT 6	GP46
	BIT 7	GP47
<b>GP5(VCC POWER)</b>	BIT 0	GP50
	BIT 1	GP51
	BIT 2	GP52
	BIT 3	GP53
	BIT 4	GP54
	BIT 5	GP55

Table 4-2

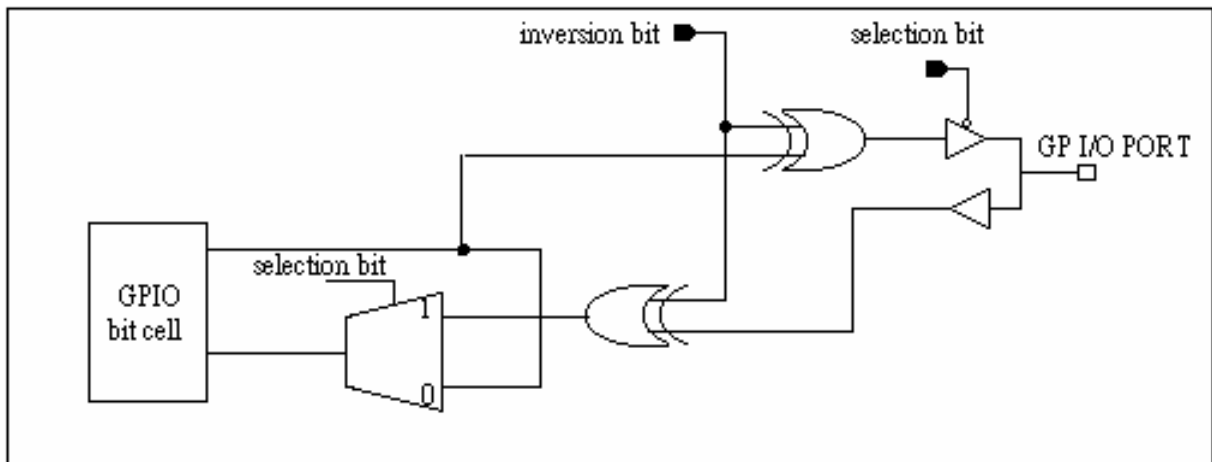


Figure 4-1

# W83627THF/W83627THG



## 5. HARDWARE MONITOR

### 5.1 General Description

The W83627THF can be used to monitor several critical hardware parameters of the system, including power supply voltages, fan speeds, and temperatures, which are very important for a high-end computer system to work stable and properly. W83627THF provides LPC interface to access hardware .

An 8-bit analog-to-digital converter (ADC) was built inside W83627THF. The W83627THF can simultaneously monitor 3 analog voltage inputs (addition monitor VBAT, 5VSB & 5VCC power), 3 fan tachometer inputs, 3 remote temperature inputs and one case-open detection signal. The remote temperature sensing can be performed by thermistors, 2N3904 NPN-type transistors, or directly from Intel<sup>TM</sup> CPU thermal diode output. Also the W83627THF provides: 3 analog outputs for fan speed control. Beep tone output for warning; SMI#(can through SERIRQ pin), OVT# signals for system protection events.

Through the application software or BIOS, the users can read all the monitored parameters of system from time to time. And a pop-up warning can be also activated when the monitored item was out of the proper/preset range. The application software could be Winbond's Hardware Doctor<sup>TM</sup>, or Intel<sup>TM</sup> LDCM (LanDesk Client Management), or other management application software. Also the users can set up the upper and lower limits (alarm thresholds) of these monitored parameters and to activate one programmable and maskable interrupts. An optional beep tone could be used as warning signal when the monitored parameters are out of the preset range.

### 5.2 Access Interface

W83627THF uses LPC Bus to access which the ports address of low byte (bit2~bit0) are defined in the port 5h and 6h. The other higher bits of these ports are set by W83627THF itself. The general decoded address is set to port 295h and port 296h. These two ports are described as following:

Port 295h: Index port.

Port 296h: Data port.

The register structure is showed as the Figure 5-1

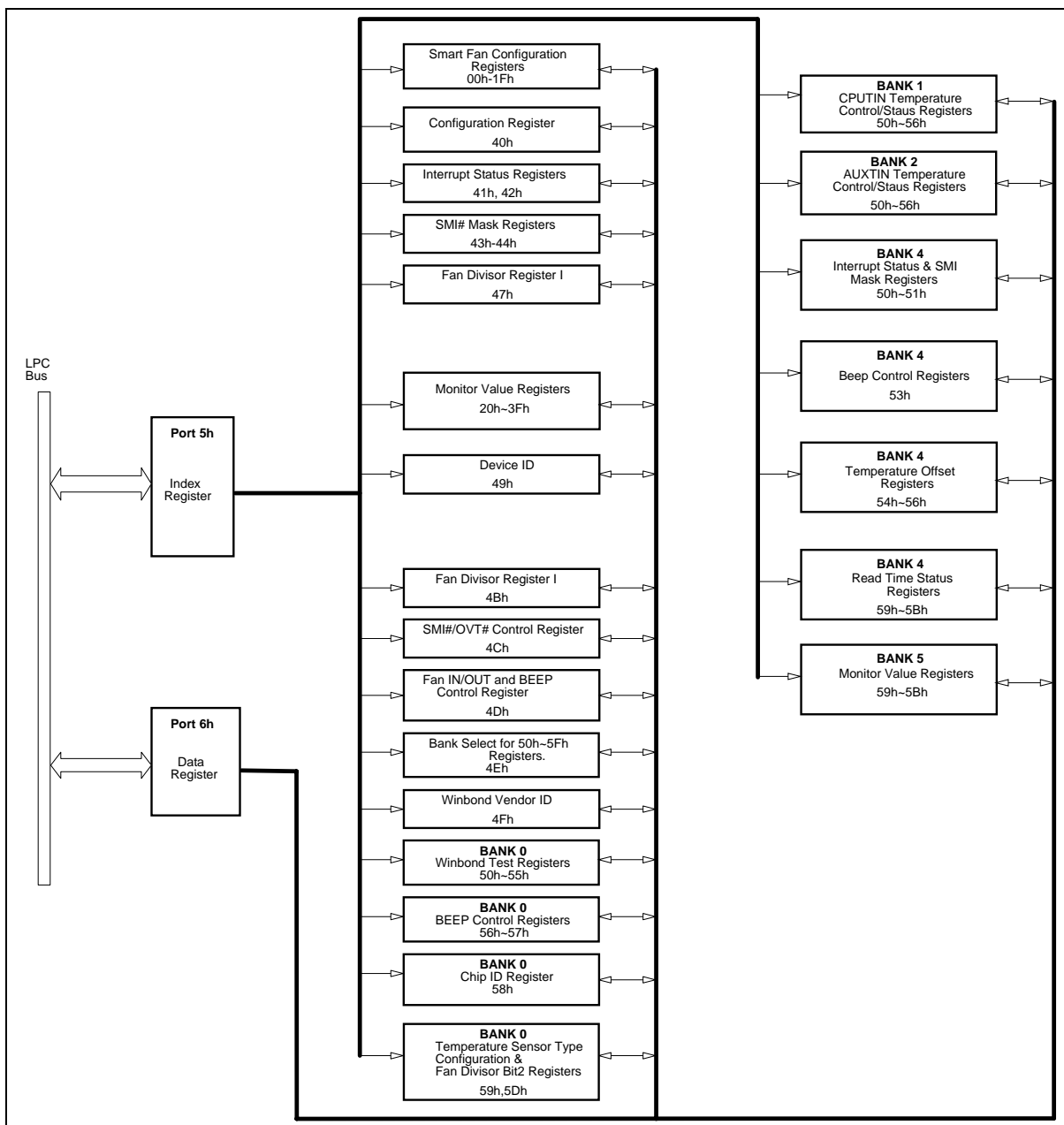


Figure 5-1 : LPC interface access diagram



## 5.3 Analog Inputs

The maximum input voltage of the analog pin is 4.096V because the 8-bit ADC has a 16mV LSB. Really, the application of the PC monitoring would most often be connected to power suppliers. The CPU Vcore voltage, +3.3V, battery(pin 74), AVCC(pin 114) and 5VSB voltage can directly connected to these analog inputs. The +12V voltage inputs should be reduced a factor with external resistors so as to obtain the input range. As Figure 3.2 shows.

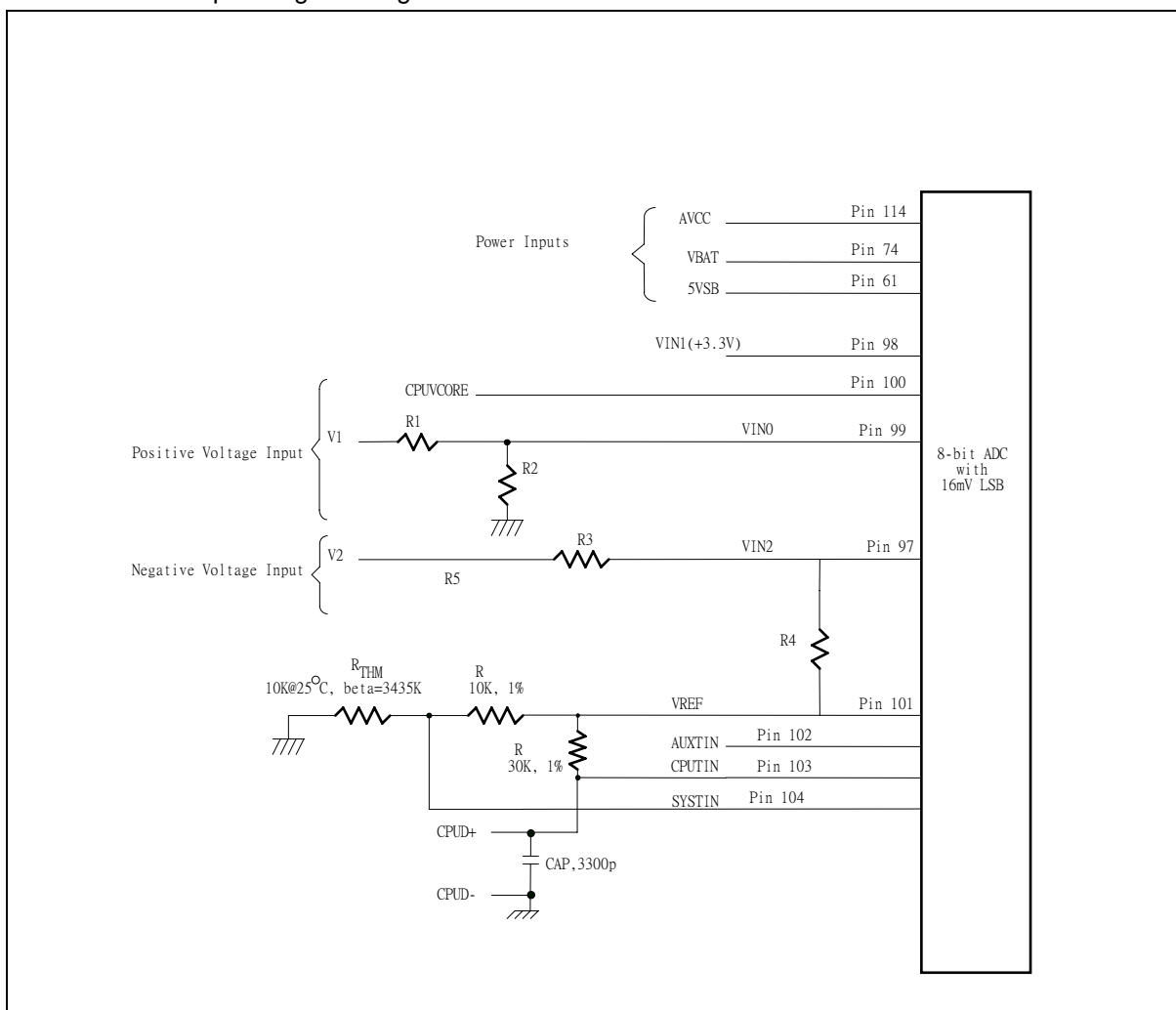


Figure. 5-2



### 5.3.1 Monitor over 4.096V voltage:

The +12V input voltage can be expressed as following equation.

$$VIN0 = V_1 \times \frac{R_2}{R_1 + R_2}$$

The value of R1 and R2 can be selected to 28K Ohms and 10K Ohms, respectively, when the input voltage V1 is 12V. The node voltage of VIN0 can be subject to less than 4.096V for the maximum input range of the 8-bit ADC.

The -12V input voltage can be expressed as following equation.

$$VIN2 = (V_2 - 3.6) \times \frac{R_4}{R_3 + R_4} + 3.6, \text{ where } V_2 = -12$$

The value of R3 and R4 can be selected to 232K Ohms and 56K Ohms, respectively, when the input voltage V2 is -12V. The node voltage of VIN2 can be subject to less than 4.096V for the maximum input range of the 8-bit ADC.

The Pin 114 is connected to the power supply VCC with +5V. There are two functions in this pin with 5V. The first function is to supply internal analog power in the W83627THF and the second function is that this voltage with 5V is connected to internal serial resistors to monitor the +5V voltage. The W83627THF internal two serial resistors are 34K ohms and 51K ohms so that input voltage to ADC is 3V which is less than 4.096V of ADC maximum input voltage. The express equation can represent as follows.

$$V_{in} = VCC \times \frac{51K\Omega}{51K\Omega + 34K\Omega} \cong 3V$$

where VCC is set to 5V.

The Pin 61 is connected to 5VSB voltage. W83627THF monitors this voltage and the internal two serial resistors are 34K  $\Omega$  and 51K  $\Omega$  so that input voltage to ADC is 3V which less than 4.096V of ADC maximum input voltage.

### 5.3.2 CPUVCORE voltage detection method:

W83627THF provides two detection methods for CPUVCORE(pin100).

(1). VRM8 method:

The LSB of this mode is 16mV. This means that the detected voltage equals to the reading of this voltage register multiplies 16mV. The formula is as the following:

$$\text{Detected Voltage} = \text{Reading} * 0.016 \text{ V}$$

(2). VRM9 method: (Default)

The LSB of this mode is 4.88mV which is especially designed for the low voltage CPU. The formula is as the following:

$$\text{Detected Voltage} = \text{Reading} * 0.00488 + 0.69 \text{ V}$$



### 5.3.3 Temperature Measurement Machine

The temperature data format is 8-bit two's-complement for sensor SYSTIN and 9-bit two's-complement for sensor CPUTIN and AUX TIN. The 8-bit temperature data can be obtained by reading the CR[27h]. The 9-bit temperature data can be obtained by reading the 8 MSBs from the Bank1/Bank2 CR[50h] and the LSB from the Bank1/Bank2 CR[51h] bit 7. The format of the temperature data is show in Table 5-1.

TEMPERATURE	8-BIT DIGITAL OUTPUT		9-BIT DIGITAL OUTPUT	
	8-Bit Binary	8-Bit Hex	9-Bit Binary	9-Bit Hex
+125°C	0111,1101	7Dh	0,1111,1010	0FAh
+25°C	0001,1001	19h	0,0011,0010	032h
+1°C	0000,0001	01h	0,0000,0010	002h
+0.5°C	-	-	0,0000,0001	001h
+0°C	0000,0000	00h	0,0000,0000	000h
-0.5°C	-	-	1,1111,1111	1FFh
-1°C	1111,1111	FFh	1,1111,1110	1FFh
-25°C	1110,0111	E7h	1,1100,1110	1CEh
-55°C	1100,1001	C9h	1,1001,0010	192h

Table 5-1

#### 5.3.3.1 Monitor temperature from thermistor:

The W83627THF can connect three thermistors to measure three different environment temperature. The specification of thermistor should be considered to (1)  $\beta$  value is 3435K, (2) resistor value is 10K ohms at 25°C. In the Figure 5-2, the themistor is connected by a serial resistor with 10K Ohms, then connect to VREF (Pin 101).

#### 5.3.3.2 Monitor temperature from Pentium II™/Pentium III™ thermal diode or bipolar transistor 2N3904

The W83627THF can alternate the thermistor to Pentium II™/Pentium III™ thermal diode interface or transistor 2N3904 and the circuit connection is shown as Figure 5-3. The pin of Pentium II™/Pentium III™ D- is connected to AGND and the pin D+ is connected to temperature sensor pin in the W83627THF. The resistor R=30K ohms should be connected to VREF to supply the diode bias current and the bypass capacitor C=3300pF should be added to filter the high frequency noise. The transistor 2N3904 should be connected to a form with a diode, that is, the Base (B) and Collector (C) in the 2N3904 should be tied together to act as a thermal diode.



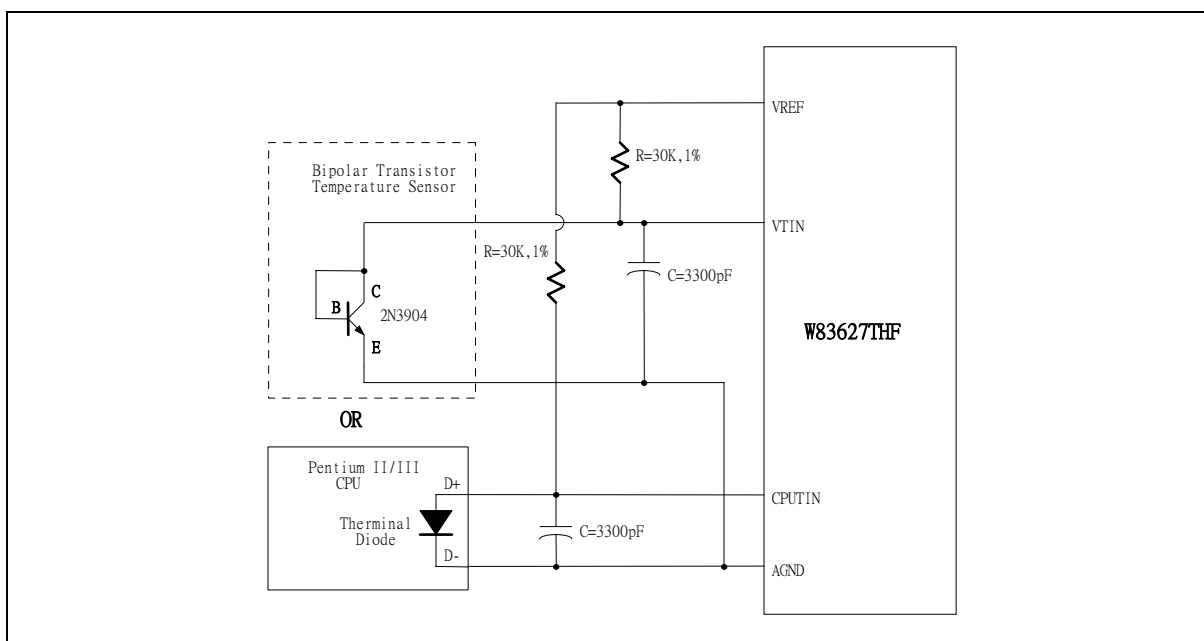


Figure 5-3

## 5.4 FAN Speed Count and FAN Speed Control

### 5.4.1 Fan speed count

Inputs are provided for signals from fans equipped with tachometer outputs. The level of these signals should be set to TTL level, and maximum input voltage can't be over VCC. If the input signals from the tachometer outputs are over the VCC, the external trimming circuit should be added to reduce the voltage to obtain the input specification. The normal circuit and trimming circuits are shown as Figure 5-4 ~ 5-7.

Determine the fan counter according to:

$$Count = \frac{1.35 \times 10^6}{RPM \times Divisor}$$

In other words, the fan speed counter has been read from register CR28 or CR29 or CR2A, the fan speed can be evaluated by the following equation.

$$RPM = \frac{1.35 \times 10^6}{Count \times Divisor}$$

The default divisor is 2 and defined at CR47.bit7~4, CR4B.bit7~6, and Bank0 CR5D.bit5~7 which are three bits for divisor. That provides very low speed fan counter such as power supply fan. The followed table is an example for the relation of divisor, RPM, and count

# W83627THF/W83627THG



DIVISOR	NOMINAL RPM	TIME PER REVOLUTION	COUNTS	70% RPM	TIME FOR 70%
1	8800	6.82 ms	153	6160	9.84 ms
<b>2 (default)</b>	4400	13.64 ms	153	3080	19.48 ms
4	2200	27.27 ms	153	1540	38.96 ms
8	1100	54.54 ms	153	770	77.92 ms
16	550	109.08 ms	153	385	155.84 ms
32	275	218.16 ms	153	192	311.68 ms
64	137	436.32 ms	153	96	623.36 ms
128	68	872.64 ms	153	48	1246.72 ms

Table 5-2

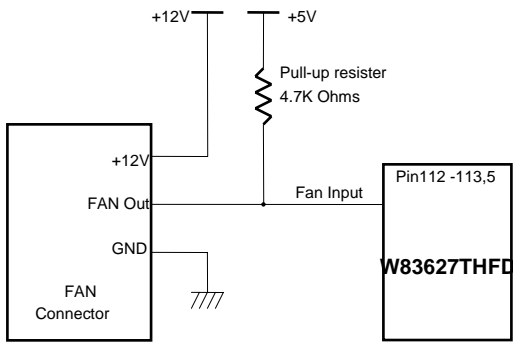


Figure 5-4. Fan with Tach Pull-Up to +5V

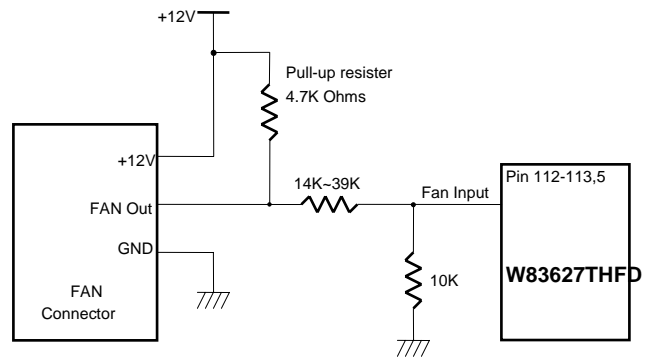


Figure 5-5. Fan with Tach Pull-Up to +12V, or Totem-Pole Output and Register Attenuator

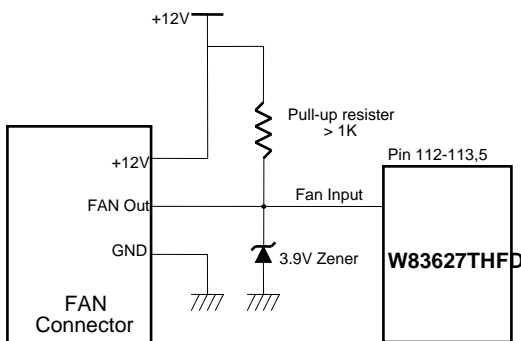


Figure 5-6. Fan with Tach Pull-Up to +12V and Zener Clamp

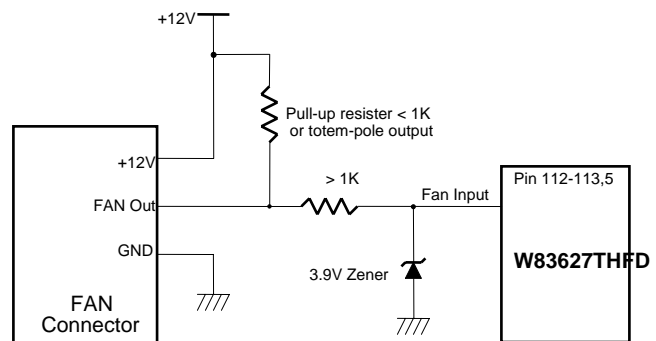


Figure 5-7. Fan with Tach Pull-Up to +12V, or Totem-Pole Output and Zener Clamp



## 5.4.2 Fan speed control

The W83627THF has a 4 bit DAC which produces 0 to 5 volts DC output that provides maximum 3 sets for fan speed control. The analog output can be programmed in the Bank0 Index 01h, Index 03h and Index 11h. The default value is 0xFY, Y is reserved nibble, that is default output value is 5 V. The expression of output voltage can be represented as follow ,

$$\text{OUTPUT Voltage} = AVCC \times \frac{\text{Programmed 4 - bit Register Value}}{16}$$

The application circuit is shown as follow,

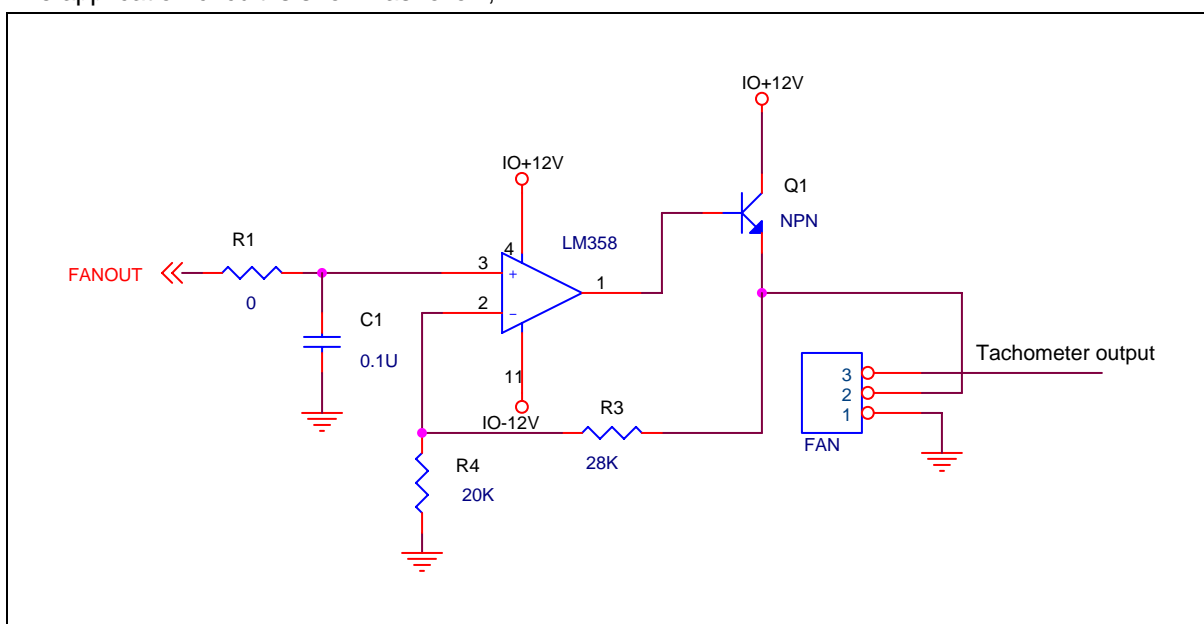


Figure 5-8

Must be take care when choosing the OP-AMP and the transistor. The OP-AMP is used for amplify the 5V range of the DC output up to 12V . The transistor should has a suitable  $\beta$  value to avoid its base current pulling down the OP-AMP 's output and gain the common current to operate the fan at fully speed.

## 5.5 SmartFan™ Control

SmartFan™ Control provides two mechanisms. One is Thermal Cruise mode and the other is Fan Speed Cruise mode. **No matter which mode you use, the FAN will full speed run at beginning.**



### 5.5.1 Thermal Cruise mode

There are maximum 3 pairs of Temperature/FANOUT control at this mode: SYSTIN with SYSFANOUT, CPUTIN with CPUFANOUT, AUXTIN with AUXFANOUT. At this mode, W83627THF provides the Smart Fan system which can control the fan speed automatically depend on current temperature to keep it with in a specific range. At first a wanted temperature and interval must be set (ex.  $55^{\circ}\text{C} \pm 3^{\circ}\text{C}$ ) by BIOS, as long as the real temperature remains below the setting value, the fan will be off. Once the temperature exceeds the setting high limit temperature (  $58^{\circ}\text{C}$ ), the fan will be turned on with a specific speed set by BIOS (ex: 3.75 V) and automatically controlled its DC voltage output with the temperature varying. Three conditions may occur :

- (1) If the temperature still exceeds the high limit (ex:  $58^{\circ}\text{C}$ ), DC Fan output voltage will increase slowly. If the fan has been operating in its fully speed but the temperature still exceeds the high limit(ex:  $58^{\circ}\text{C}$ ) after 3 minutes, a warning message will be issued to protect the system.
- (2) If the temperature goes below the high limit (ex:  $58^{\circ}\text{C}$ ), but above the low limit (ex:  $52^{\circ}\text{C}$ ), the fan speed will be fixed at the current speed because the temperature is in the target area(ex:  $52^{\circ}\text{C} \sim 58^{\circ}\text{C}$ ).
- (3) If the temperature goes below the low limit (ex:  $52^{\circ}\text{C}$ ), DC Fan output voltage will decrease slowly to 0 until the temperature exceeds the low limit.

Figure 5-9 and 5-10 give the illustration for Thermal Cruise Mode .

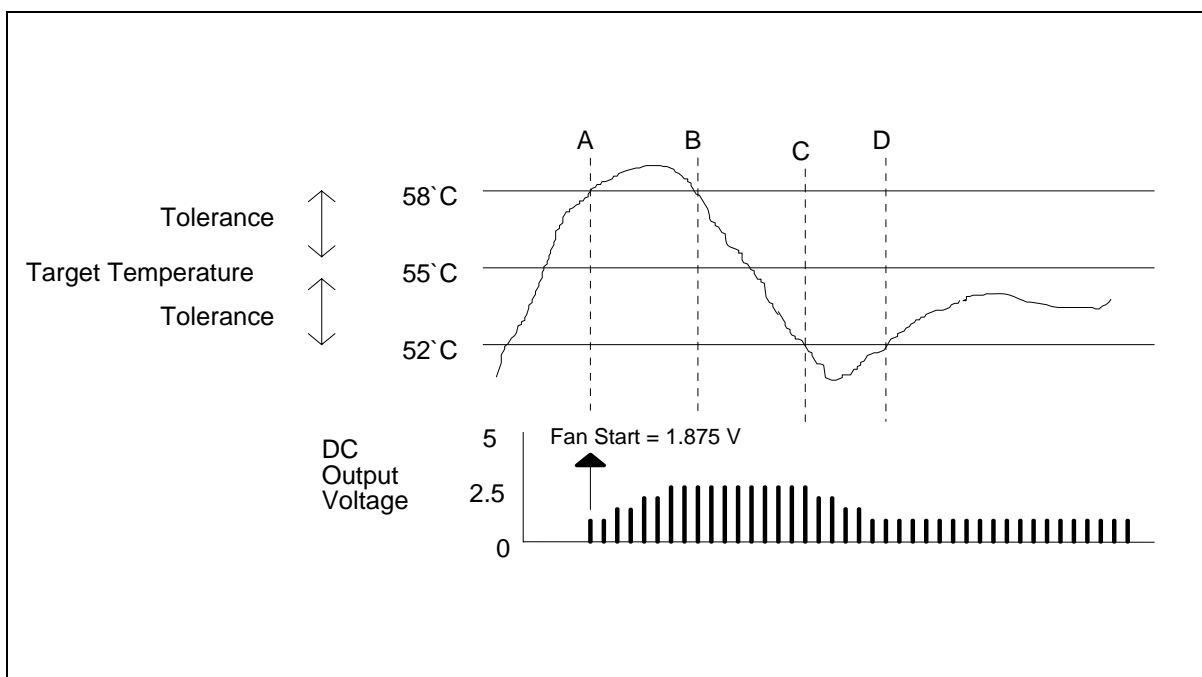


Figure 5-9

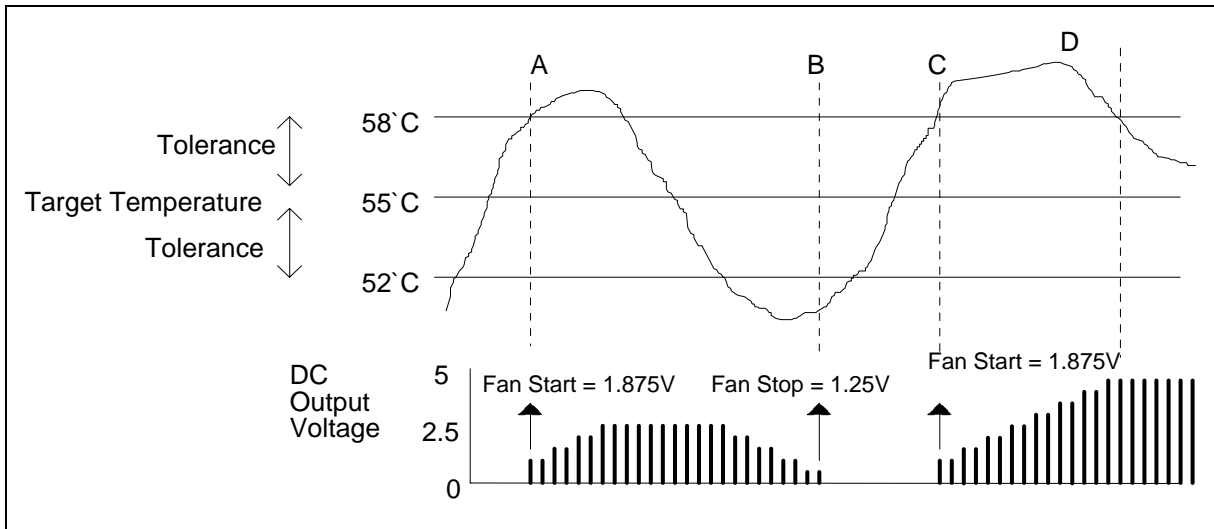


Figure 5-10

One more protection is provided that DC FAN output voltage will not be decreased to 0 in the above (3) situation in order to keep the fans running with a minimum speed. By setting CR[12h] bit3-5 to 1, FAN output voltage will be decreased to the " Stop Value " which are defined at CR[08h],CR[09h] and CR[15h].

### 5.5.2 Fan Speed Cruise mode

There are 3 pairs of FANIN/FANOUT control at this mode: SYSFANIN with SYSFANOUT, CPUFANIN with CPUFANOUT, AUXFANIN with AUXFANOUT. At this mode, W83627THF provides the Smart Fan system which can control the fan speed automatically depend on current fan speeds to keep it with in a specific range. A wanted fan speed count and interval must be set (ex.  $160 \pm 10$ ) by BIOS. As long as the fan speed count is the specific range, output voltage will keep the current value. If current fan speed count is higher than the high limit (ex.  $160+10$ ), output voltage will be increased to keep the count less than the high limit. Otherwise, if current fan speed is less than the low limit(ex.  $160-10$ ), output voltage will be decreased to keep the count higher than the low limit. See Figure 5-11 example.

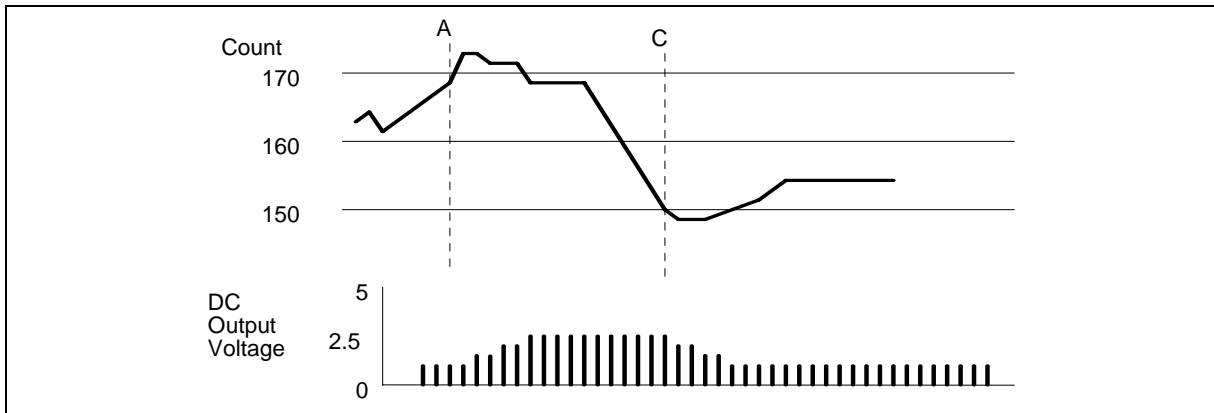


Figure 5-11



**5.5.3 Manual Control Mode**

Smart Fan control system can be disabled and the fan speed control algorithmic can be programmed by BIOS or application software. The programming method is just as section 5.4.2.

**5.6 SMI# interrupt mode**

The SMI#/IRQIN1 pin(pin2) is a multi-function pin. The SMI# function is selected at Configuration Register CR[2Ah] bit 2.

**5.6.1 Voltage SMI# mode :**

SMI# interrupt for voltage is Two-Times Interrupt Mode. Voltage exceeding high limit or going below low limit will causes an interrupt if the previous interrupt has been reset by reading all the interrupt Status Register. (Figure 5-12 )

**5.6.2 Fan SMI# mode :**

SMI# interrupt for fan is Two-Times Interrupt Mode. Fan count exceeding the limit, or exceeding and then going below the limit, will causes an interrupt if the previous interrupt has been reset by reading all the interrupt Status Register. (Figure 5-13 )

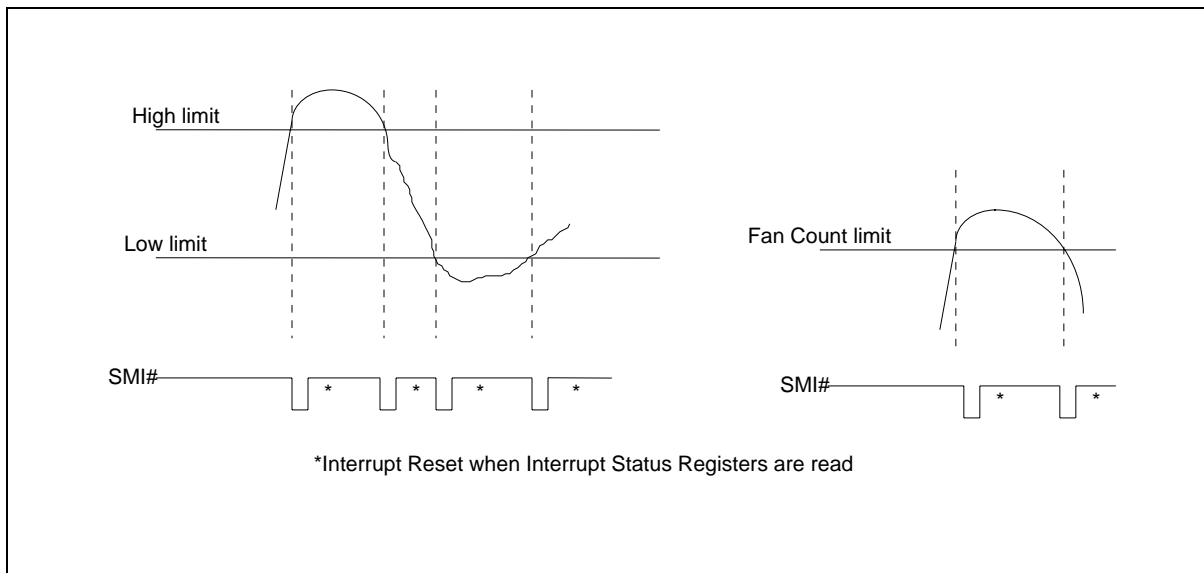


Figure 5-12

Figure 5-13



## 5.6.3 The W83627THF temperature sensor 1(SYSTIN) SMI# interrupt has 3 modes:

### (1) Comparator Interrupt Mode

Setting the  $T_{HYST}$  (Temperature Hysteresis) limit to  $127^{\circ}\text{C}$  will set temperature sensor 1 SMI# to the Comparator Interrupt Mode. Temperature exceeds  $T_O$  (Over Temperature) Limit causes an interrupt and this interrupt will be reset by reading all the Interrupt Status Register. Once an interrupt event has occurred by exceeding  $T_O$ , then reset, if the temperature remains above the  $T_O$ , the interrupt will occur again when the next conversion has completed. If an interrupt event has occurred by exceeding  $T_O$  and not reset, the interrupts will not occur again. The interrupts will continue to occur in this manner until the temperature goes below  $T_O$ . (Figure 5-14) .

Setting the  $T_{HYST}$  lower than  $T_O$  will set temperature sensor 1 SMI# to the Interrupt Mode. The following are two kinds of interrupt modes, which are selected by Index 4Ch bit5 :

### (2) Two-Times Interrupt Mode

Temperature exceeding  $T_O$  causes an interrupt and then temperature going below  $T_{HYST}$  will also cause an interrupt if the previous interrupt has been reset by reading all the interrupt Status Register. Once an interrupt event has occurred by exceeding  $T_O$ , then reset, if the temperature remains above the  $T_{HYST}$ , the interrupt will not occur. (Figure 5-15)

### (3) One-Time Interrupt Mode

Temperature exceeding  $T_O$  causes an interrupt and then temperature going below  $T_{HYST}$  will not cause an interrupt. Once an interrupt event has occurred by exceeding  $T_O$ , then going below  $T_{HYST}$ , an interrupt will not occur again until the temperature exceeding  $T_O$ . (Figure 5-16)

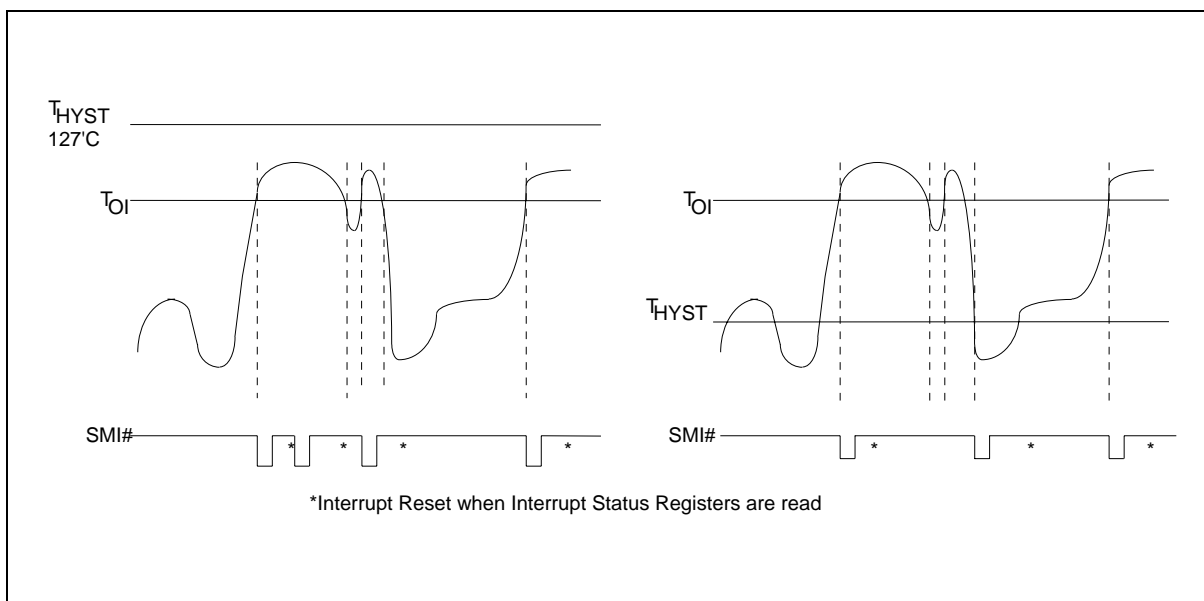


Figure 5-14

Figure 5-15

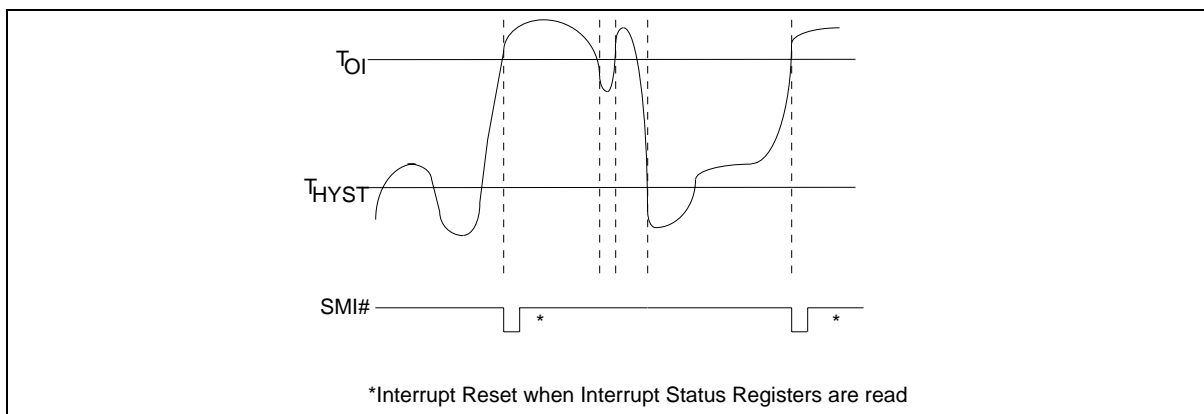


Figure 5-16

**5.6.4 The W83627THF temperature sensor 2(CPUTIN) and sensor 3(AUXTIN) SMI# interrupt has two modes and it is programmed at CR[4Ch] bit 6.**

**(1) Comparator Interrupt Mode**

Temperature exceeding  $T_O$  causes an interrupt and this interrupt will be reset by reading all the Interrupt Status Register. Once an interrupt event has occurred by exceeding  $T_O$ , then reset, if the temperature remains above the  $T_{HYST}$ , the interrupt will occur again when the next conversion has completed. If an interrupt event has occurred by exceeding  $T_O$  and not reset, the interrupts will not occur again. The interrupts will continue to occur in this manner until the temperature goes below  $T_{HYST}$ . ( Figure 5-17 )

**(2) Two-Times Interrupt Mode**

Temperature exceeding  $T_O$  causes an interrupt and then temperature going below  $T_{HYST}$  will also cause an interrupt if the previous interrupt has been reset by reading all the interrupt Status Register. Once an interrupt event has occurred by exceeding  $T_O$ , then reset, if the temperature remains above the  $T_{HYST}$ , the interrupt will not occur. (Figure 5-18 )

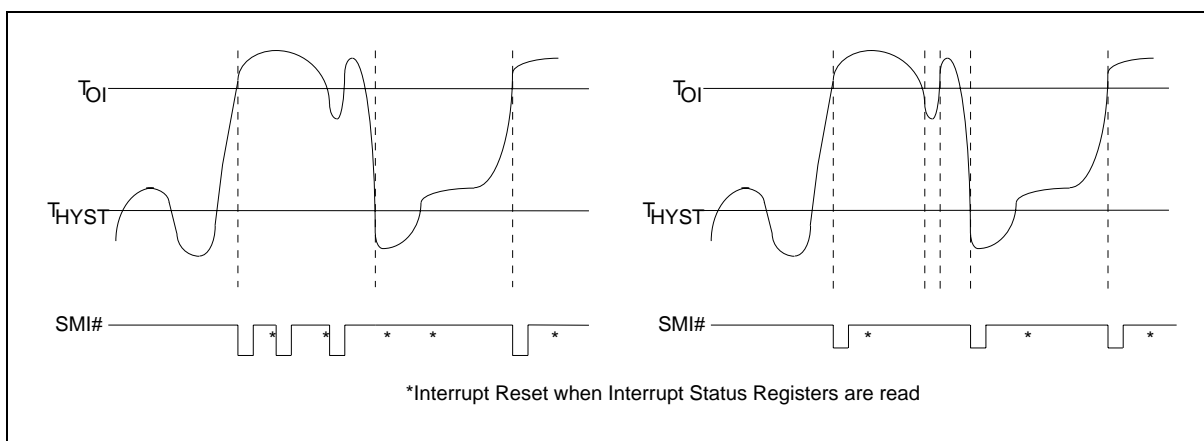


Figure 5-17

Figure 5-18





## 5.7 OVT# interrupt mode

The OVT# mode selection bits are at Bank0 Index18h bit4, Bank1 Index52h bit1 and Bank2 Index52h bit1.

### (1) Comparator Mode :

Temperature exceeding  $T_O$  causes the OVT# output activated until the temperature is less than  $T_{HYST}$ . ( Figure 5-19)

### (2) Interrupt Mode:

Temperature exceeding  $T_O$  causes the OVT# output activated indefinitely until reset by reading temperature sensor registers. Temperature exceeding  $T_O$ , then OVT# reset, and then temperature going below  $T_{HYST}$  will also cause the OVT# activated indefinitely until reset by reading temperature sensor registers. Once the OVT# is activated by exceeding  $T_O$ , then reset, if the temperature remains above  $T_{HYST}$ , the OVT# will not be activated again.( Figure 5-19)

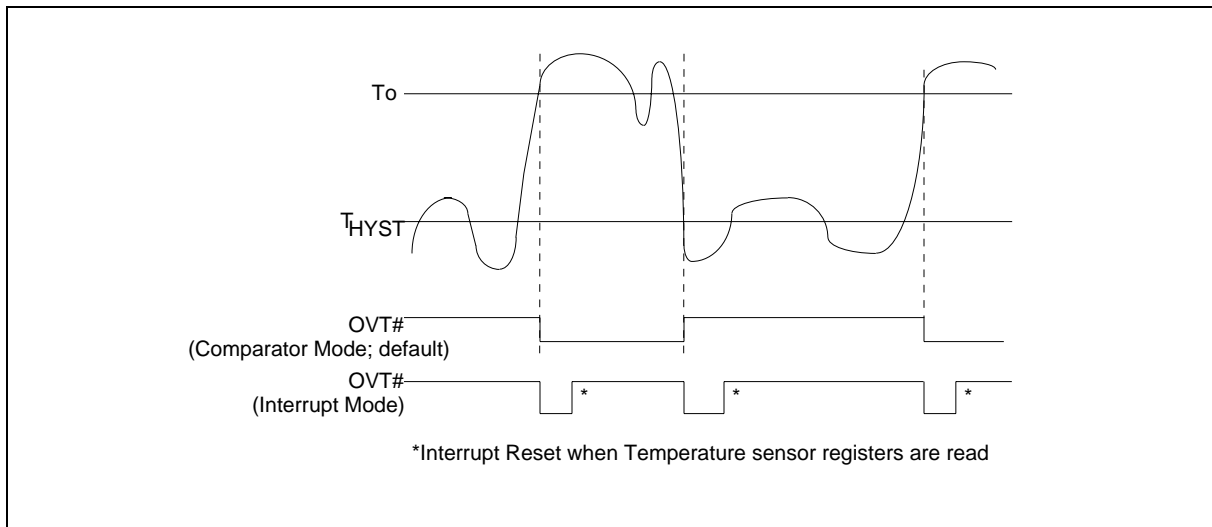


Figure 5-19

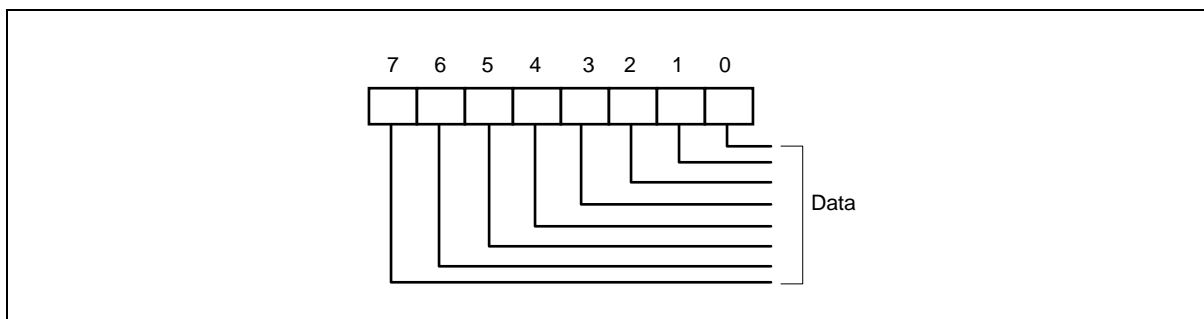


## 5.8 REGISTERS AND RAM

Address Port and Data Port are set in the register CR60 and CR61 of Logical Device B which is Hardware Monitor Device. The value in CR60 is high byte and that in CR61 is low byte. For example, setting CR60 to 02 and CR61 to 90 cause the Address Port to be 0x295 and Data Port to be 0x296.

### 5.8.1 Address Port (Port x5h)

Address Port: Port x5h  
 Power on Default Value 00h  
 Attribute: Bit 6:0 Read/write , Bit 7: Reserved  
 Size: 8 bits



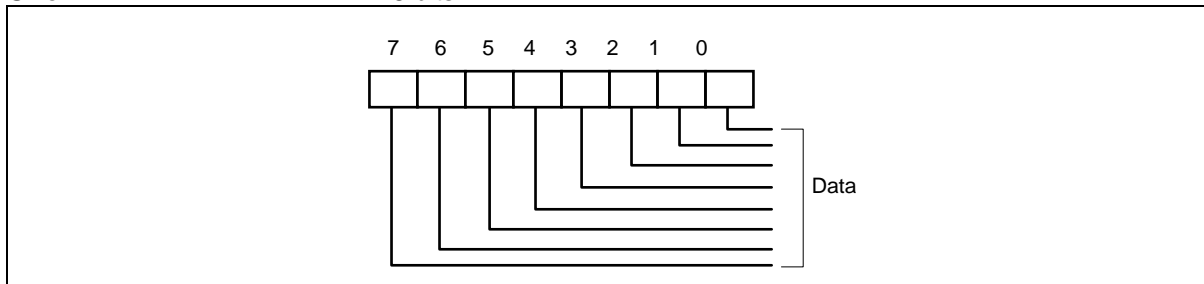
Bit7: Reserved

Bit 6-0: Read/Write

BIT 7	BIT 6	BIT 5	BIT 4	BIT 3	BIT 2	BIT 1	BIT 0
Reserved	Address Pointer (Power On default 00h)						
(Power On default 0)	A6	A5	A4	A3	A2	A1	A0

### 5.8.2 Data Port (Port x6h)

Data Port: Port x6h  
 Power on Default Value 00h  
 Attribute: Read/write  
 Size: 8 bits

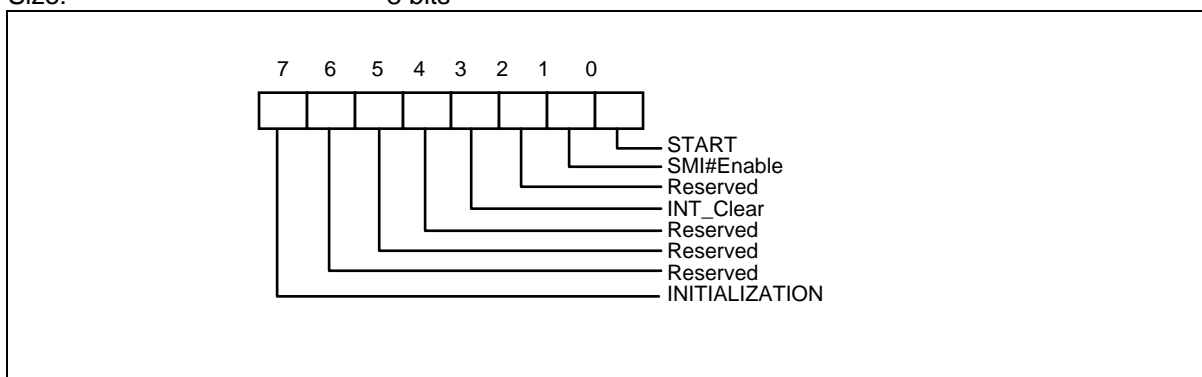


Bit 7-0: Data to be read from or to be written to RAM and Register.



### 5.8.3 Configuration Register — Index 40h

Register Location: 40h  
 Power on Default Value 03h  
 Attribute: Read/write  
 Size: 8 bits



Bit 7: A one restores power on default value to some registers. This bit clears itself since the power on default is zero.

Bit 6: Reserved

Bit 5: Reserved

Bit 4: Reserved

Bit 3: A one disables the SMI# output without affecting the contents of Interrupt Status Registers. The device will stop monitoring. It will resume upon clearing of this bit.

Bit 2: Reserved

Bit 1: A one enables the SMI# Interrupt output.

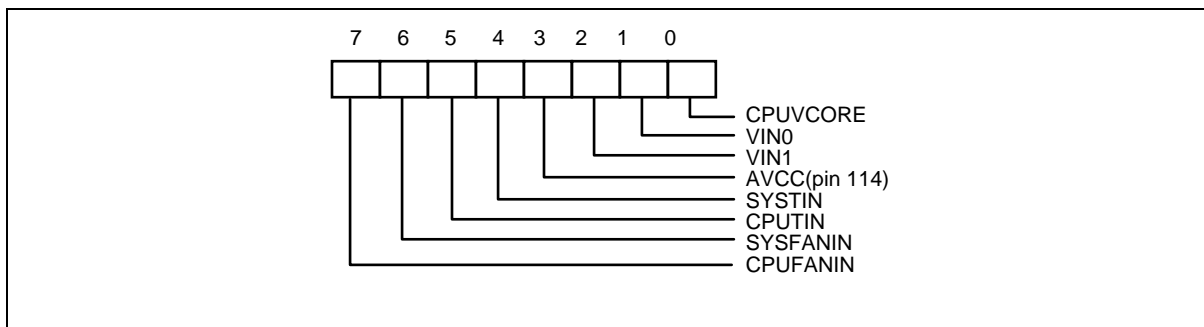
Bit 0: A one enables startup of monitoring operations, a zero puts the part in standby mode.

**Note:** The outputs of Interrupt pins will not be cleared if the user writes a zero to this location after an interrupt has occurred unlike "INT\_Clear" bit.



## 5.8.4 Interrupt Status Register 1— Index 41h

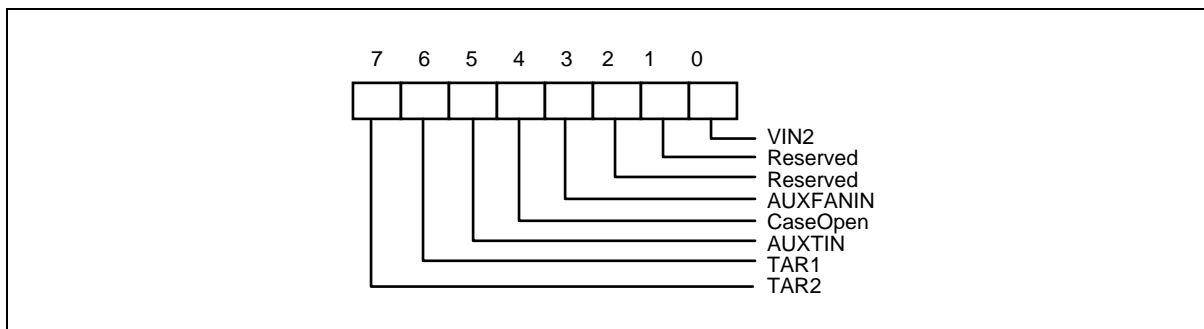
Register Location: 41h  
 Power on Default Value 00h  
 Attribute: Read Only  
 Size: 8 bits



- Bit 7: A one indicates the fan count limit of CPUFANIN has been exceeded.
- Bit 6: A one indicates the fan count limit of SYSFANIN has been exceeded.
- Bit 5: A one indicates a High limit of CPUTIN temperature has been exceeded.
- Bit 4: A one indicates a High limit of SYSTIN temperature has been exceeded .
- Bit 3: A one indicates a High or Low limit of AVCC(pin 114) has been exceeded.
- Bit 2: A one indicates a High or Low limit of VIN1 has been exceeded.
- Bit 1: A one indicates a High or Low limit of VIN0 has been exceeded.
- Bit 0: A one indicates a High or Low limit of CPUVCORE has been exceeded.

## 5.8.5 Interrupt Status Register 2 — Index 42h

Register Location: 42h  
 Power on Default Value 00h  
 Attribute: Read Only  
 Size: 8 bits



- Bit 7: A one indicates that the CPUTIN temperature has been over the target temperature for 3 minutes with full fan speed at thermal cruise mode of SmartFan™.

## W83627THF/W83627THG



Bit 6: A one indicates that the SYSTIN temperature has been over the target temperature for 3 minutes with full fan speed at thermal cruise mode of SmartFan™.

Bit 5: A one indicates a High or Low limit of AUXTIN temperature has been exceeded.

Bit 4: A one indicates case has been opened.

Bit 3: A one indicates the fan count limit of AUXFANIN has been exceeded .

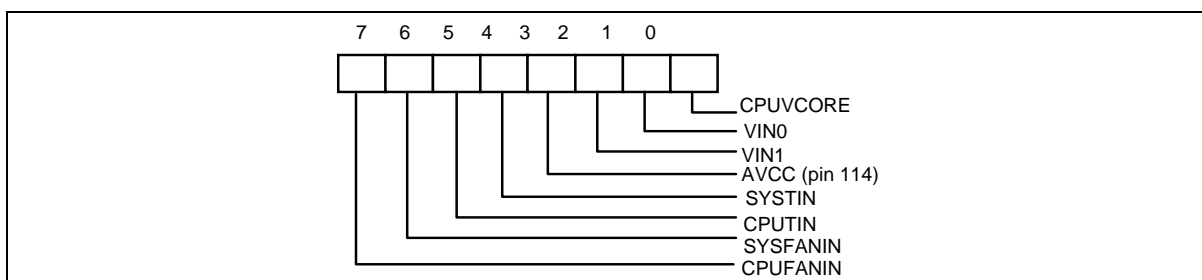
Bit 2: Reserved.

Bit 1: Reserved.

Bit 0: A one indicates a High or Low limit of VIN2 has been exceeded.

### 5.8.6 SMI# Mask Register 1 — Index 43h

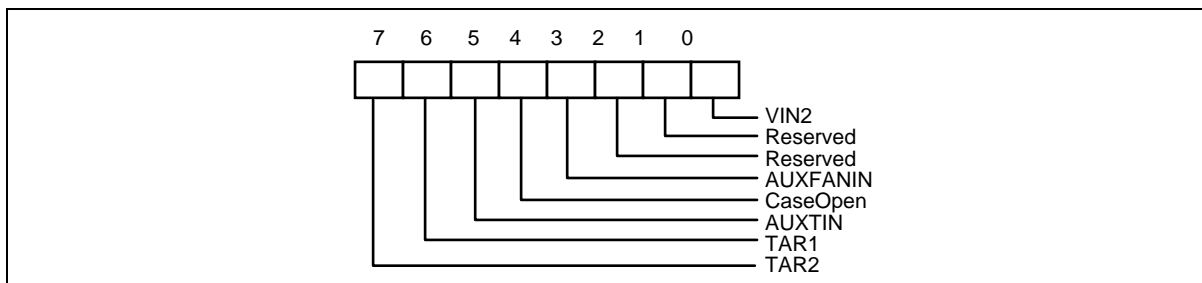
Register Location: 43h  
Power on Default Value FEh  
Attribute: Read/Write  
Size: 8 bits



Bit 7-0: A one disables the corresponding interrupt status bit for  $\overline{\text{SMI}}$  interrupt.

### 5.8.7 SMI# Mask Register 2 — Index 44h

Register Location: 44h  
Power on Default Value FFh  
Attribute: Read/Write  
Size: 8 bits



Bit 7-0: A one disables the corresponding interrupt status bit for  $\overline{\text{SMI}}$  interrupt.



## 5.8.8 Reserved Register — Index 45h—46h

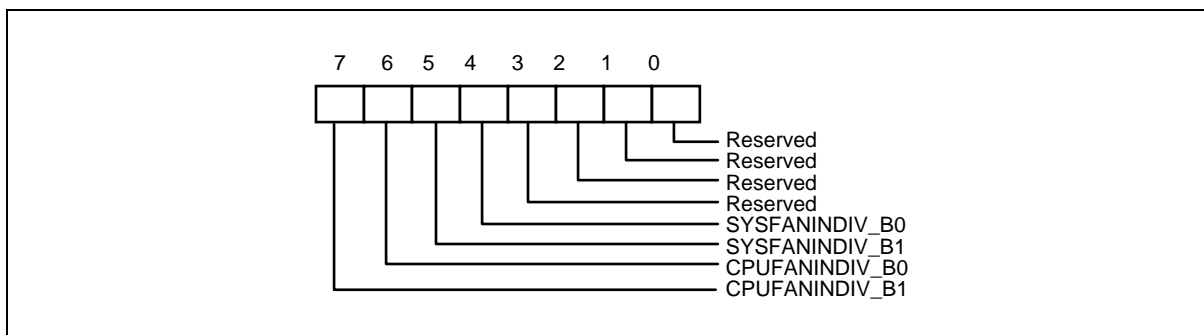
## 5.8.9 Fan Divisor Register I — Index 47h

Register Location: 47h

Power on Default Value: 5Fh

Attribute: Read/Write

Size: 8 bits



Bit 7-6: CPUFANIN Divisor bit1:0 .

Bit 5-4: SYSFANIN Divisor bit1:0.

**Note :** Please refer to Bank0 CR[5Dh] , Fan divisor table.

## 5.8.10 Value RAM — Index 20h- 3Fh

ADDRESS A6-A0	DESCRIPTION
20h	CPUVCORE reading
21h	VIN0 reading
22h	VIN1 reading
23h	AVCC(pin 114)reading
24h	VIN2 reading
25h	Reserved
26h	Reserved
27h	SYSTIN temperature sensor reading
28h	SYSFANIN reading <b>Note:</b> This location stores the number of counts of the internal clock per revolution.
29h	CPUFANIN reading <b>Note:</b> This location stores the number of counts of the internal clock per revolution.

# W83627THF/W83627THG



Value RAM — Index 20h- 3Fh, continued

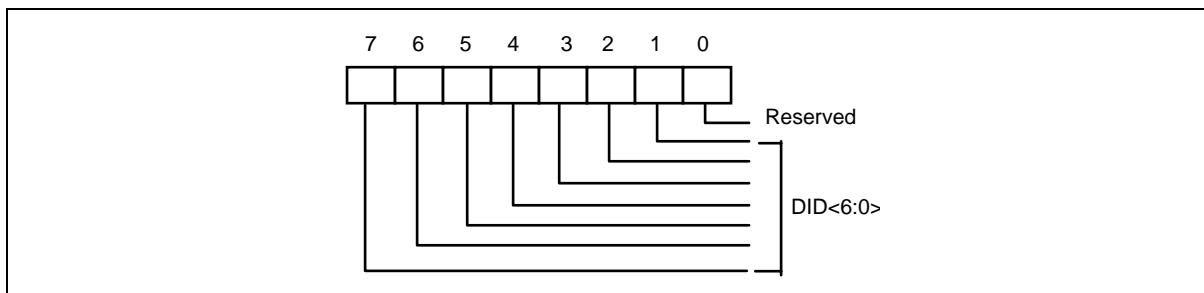
ADDRESS A6-A0	DESCRIPTION
2Bh	CPUVCORE High Limit (Power on default value is 1.75V)
2Ch	CPUVCORE Low Limit (Power on default value is 0V)
2Dh	VIN0 High Limit
2Eh	VIN0 Low Limit
2Fh	VIN1 High Limit
30h	VIN1 Low Limit
31h	AVCC(pin 114) High Limit
32h	AVCC(pin 114) Low Limit
33h	VIN2 High Limit
34h	VIN2 Low Limit
35h	Reserved
36h	Reserved
37h	Reserved
38h	Reserved
39h	SYSTIN temperature sensor High Limit
3Ah	SYSTIN temperature sensor Hysteresis Limit
3Bh	SYSFANIN Fan Count Limit <b>Note:</b> It is the number of counts of the internal clock for the Low Limit of the fan speed.
3Ch	CPUFANIN Fan Count Limit <b>Note:</b> It is the number of counts of the internal clock for the Low Limit of the fan speed.
3Dh	AUXFANIN Fan Count Limit <b>Note:</b> It is the number of counts of the internal clock for the Low Limit of the fan speed.
3E- 3Fh	Reserved

Setting all ones to the high limits for voltages and fans (0111 1111 binary for temperature) means interrupts will never be generated except the case when voltages go below the low limits.



## 5.8.11 Device ID Register - Index 49h

Register Location: 49h  
 Power on Default Value 03h  
 Attribute: bit<7:1> Read Only; bit<0> Read/Write  
 Size: 8 bits



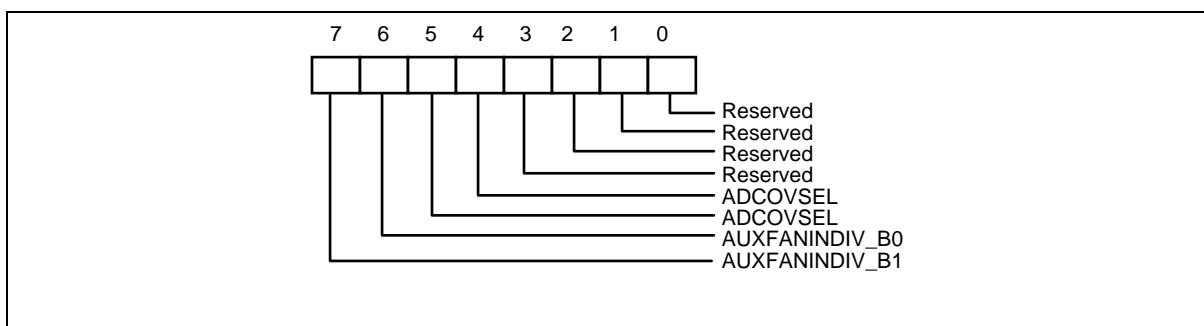
Bit 7-1: Read Only - Device ID<6:0>

Bit 0 :Reserved.

## 5.8.12 Reserved Register — Index 4Ah

## 5.8.13 Fan Divisor Register II - Index 4Bh

Register Location: 4Bh  
 Power on Default Value <7:0> 44h.  
 Attribute: Read/Write  
 Size: 8 bits



Bit 7-6:AUXFANIN speed divisor.Please refer to Bank0 CR[5Dh] , Fan divisor table.

Bit 5-4: Select A/D Converter Clock Input.

<5:4> = 00 - default. ADC clock select 22.5 Khz.

<5:4> = 01- ADC clock select 5.6 Khz. (22.5K/4)

<5:4> = 10 - ADC clock select 1.4Khz. (22.5K/16)

<5:4> = 11 - ADC clock select 0.35 Khz. (22.5K/64)

Bit 3-2: These two bits should be set to 01h. The default value is 01h.

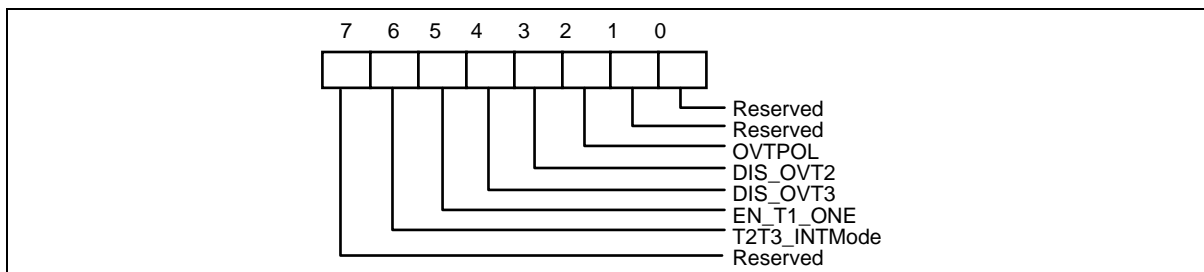
Bit 1-0: Reserved.





**5.8.14 SMI#/OVT# Control Register- Index 4Ch**

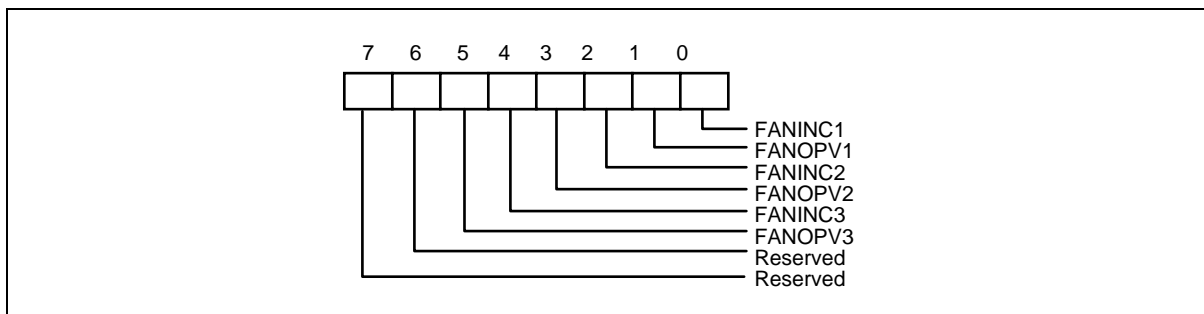
Register Location: 4Ch  
 Power on Default Value 18h  
 Attribute: Read/Write  
 Size: 8 bits



- Bit 7: Reserved. User Defined.
- Bit 6: Set to 1, the SMI# output type of Temperature CPUTIN/AUXTIN is set to Comparator Interrupt mode. Set to 0, the SMI# output type is set to Two-Times Interrupt mode. (default 0)
- Bit 5: Set to 1, the SMI# output type of temperature SYSTIN is One-Time interrupt mode. Set to 0, the SMI# output type is Two-Times interrupt mode.
- Bit 4: Disable temperature sensor AUXTIN over-temperature (OVT) output if set to 1. Set 0, enable AUXTIN OVT output through pin OVT#.
- Bit 3: Disable temperature sensor CPUTIN over-temperature (OVT) output if set to 1. Set 0, enable CPUTIN OVT output through pin OVT#.
- Bit 2: Over-temperature polarity. Write 1, OVT# active high. Write 0, OVT# active low. Default 0.
- Bit 1: Reserved.
- Bit 0: Reserved.

**5.8.15 FAN IN/OUT and BEEP Control Register- Index 4Dh**

Register Location: 4Dh  
 Power on Default Value 15h  
 Attribute: Read/Write  
 Size: 8 bits



## W83627THF/W83627THG



Bit 7~6: Reserved.

Bit 5: AUXFANIN output value if FANINC3 sets to 0. Write 1, pin 5 generates a logic high signal. Write 0, pin 5 generates a logic low signal. This bit is default 0.

Bit 4: AUXFANIN Input Control. Set to 1, pin 5 acts as FAN tachometer input, which is default value. Set to 0, this pin 5 acts as FAN control signal and the output value of FAN control is set by this register bit 5.

Bit 3: CPUFANIN output value if FANINC2 sets to 0. Write 1, then pin 112 always generate logic high signal. Write 0, pin 112 always generates logic low signal. This bit default 0.

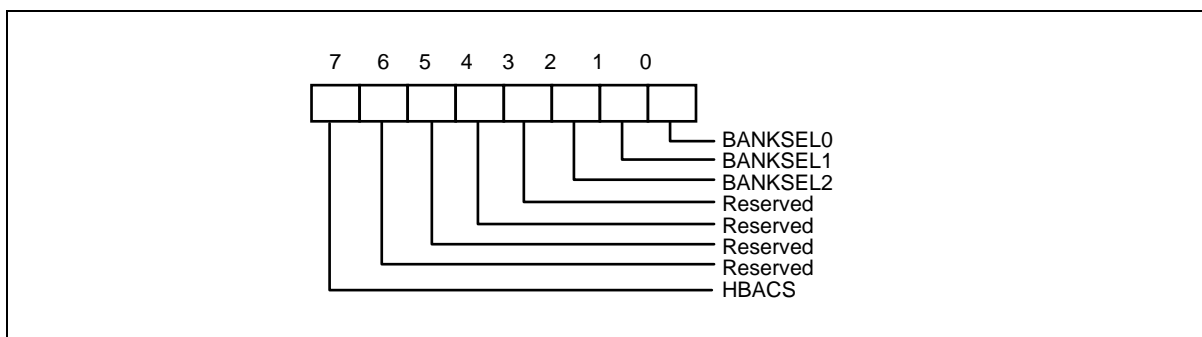
Bit 2: CPUFANIN Input Control. Set to 1, pin 112 acts as FAN tachometer input, which is default value. Set to 0, this pin 112 acts as FAN control signal and the output value of FAN control is set by this register bit 3.

Bit 1: SYSFANIN output value if FANINC1 sets to 0. Write 1, then pin 113 always generate logic high signal. Write 0, pin 113 always generates logic low signal. This bit default 0.

Bit 0: SYSFANIN Input Control. Set to 1, pin 113 acts as FAN tachometer input, which is default value. Set to 0, this pin 113 acts as FAN control signal and the output value of FAN control is set by this register bit 1.

### 5.8.16 Register 50h ~ 5Fh Bank Select Register - Index 4Eh

Register Location: 4Eh  
Power on Default Value 80h  
Attribute: Read/Write  
Size: 8 bits



Bit 7: HBACS- High byte access. Set to 1, access Register 4Fh high byte register.

Set to 0, access Register 4Fh low byte register. Default 1.

Bit 6-3: Reserved. This bit should be set to 0.

Bit 2-0: Index ports 0x50~0x5F Bank select.

Set to 0, select Bank0.

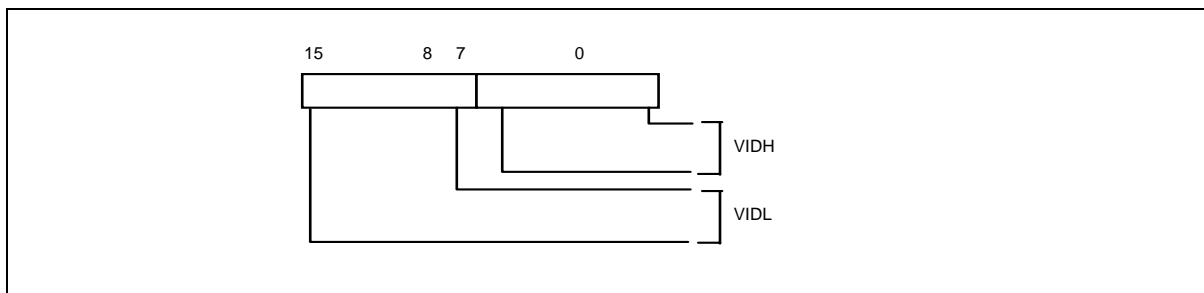
Set to 1, select Bank1.

Set to 2, select Bank2.



## 5.8.17 Winbond Vendor ID Register - Index 4Fh

Register Location: 4Fh  
 Power on Default Value <15:0> = 5CA3h  
 Attribute: Read Only  
 Size: 16 bits



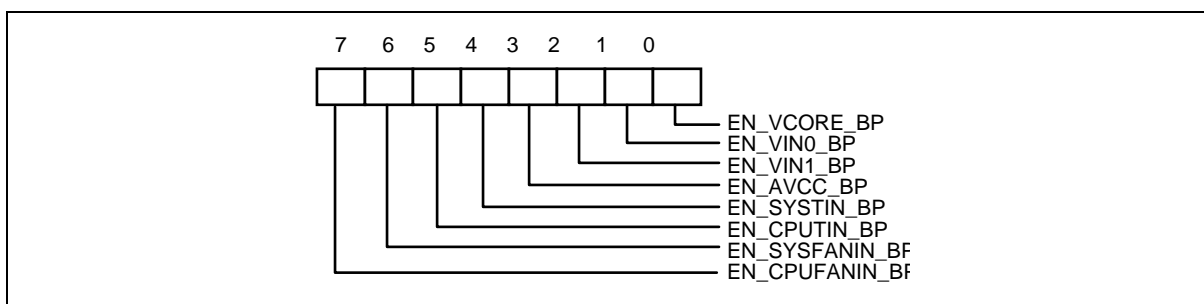
Bit 15-8: Vendor ID High Byte if CR4E.bit7=1. Default 5Ch.

Bit 7-0: Vendor ID Low Byte if CR4E.bit7=0. Default A3h.

## 5.8.18 Winbond Test Register -- Index 50h - 55h (Bank 0)

### 5.8.19 BEEP Control Register 1-- Index 56h (Bank 0)

Register Location: 56h  
 Power on Default Value 00h  
 Attribute: Read/Write  
 Size: 8 bits



Bit 7: BEEP output control for CPUFANIN if the monitor value exceed the limit value. Write 1, enable BEEP output. Write 0, disable BEEP output, which is default value.

Bit 6: BEEP output control for SYSFANIN if the monitor value exceed the limit value. Write 1, enable BEEP output. Write 0, disable BEEP output, which is default value.

Bit 5: BEEP output control for temperature CPUTIN if the monitor value exceed the limit value. Write 1, enable BEEP output. Write 0, disable BEEP output, which is default value.

Bit 4: BEEP output control for temperature SYSTIN if the monitor value exceed the limit value. Write 1, enable BEEP output. Write 0, disable BEEP output, which is default value.

Bit 3: BEEP output control for AVCC(pin 114) if the monitor value exceed the limit value. Write 1, enable BEEP output. Write 0, disable BEEP output, which is default value.

## W83627THF/W83627THG



Bit 2: BEEP output control for VIN1 if the monitor value exceed the limit value. Write 1, enable BEEP output. Write 0, disable BEEP output, which is default value.

Bit 1: BEEP output control for VIN0 if the monitor value exceed the limit value. Write 1, enable BEEP output. Write 0, disable BEEP output, which is default value.

Bit 0: BEEP output control for CPUVCORE if the monitor value exceed the limit value. Write 1, enable BEEP output. Write 0, disable BEEP output, which is default value.

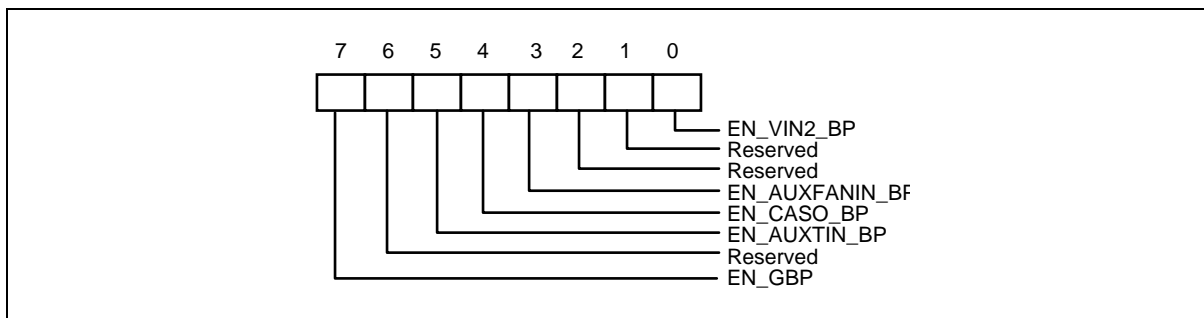
### 5.8.20 BEEP Control Register 2-- Index 57h (Bank 0)

Register Location: 57h

Power on Default Value 80h

Attribute: Read/Write

Size: 8 bits



Bit 7: Global BEEP Control. Write 1, enable global BEEP output. Default 1. Write 0, disable all BEEP output.

Bit 6: Reserved.

Bit 5: BEEP output control for temperature AUXTIN if the monitor value exceed the limit value. Write 1, enable BEEP output. Write 0, disable BEEP output, which is default value.

Bit 4: BEEP output control for case open if the monitor value exceed the limit value. Write 1, enable BEEP output. Write 0, disable BEEP output, which is default value.

Bit 3: BEEP output control for AUXFANIN if the monitor value exceed the limit value. Write 1, enable BEEP output. Write 0, disable BEEP output, which is default value.

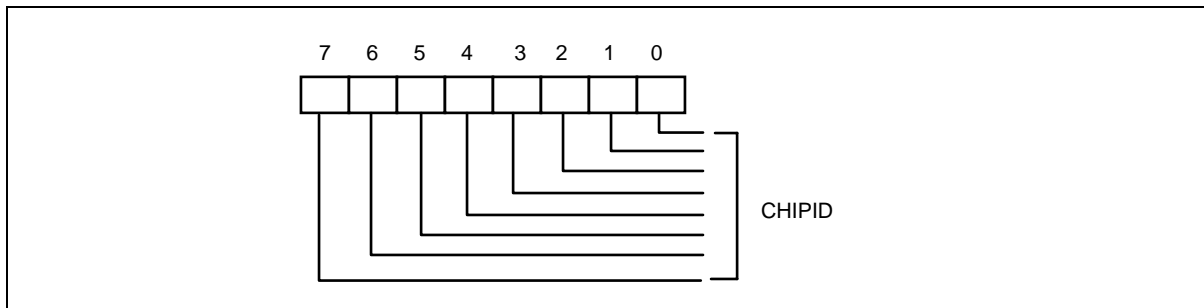
Bit 2-1: Reserved.

Bit 0: BEEP output control for VIN1 if the monitor value exceed the limit value. Write 1, enable BEEP output. Write 0, disable BEEP output, which is default value.



## 5.8.21 Chip ID -- Index 58h (Bank 0)

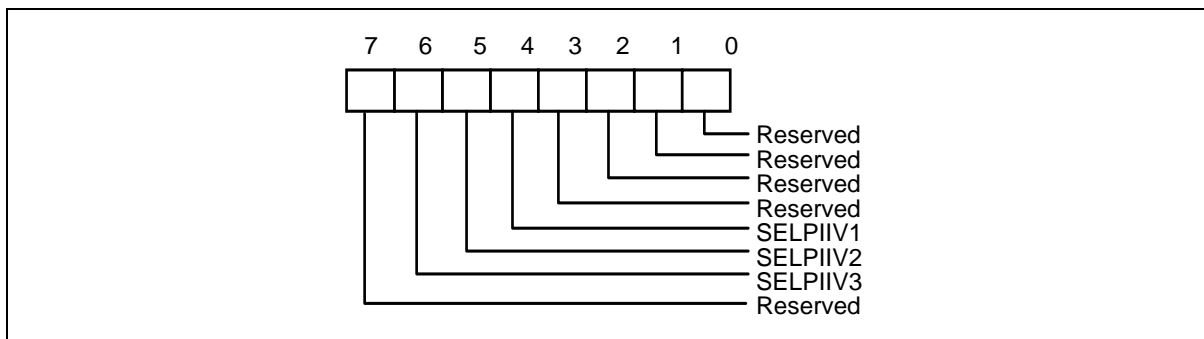
Register Location: 58h  
 Power on Default Value 90h  
 Attribute: Read Only  
 Size: 8 bits



Bit 7-0: Winbond Chip ID number. Read this register will return 90h.

## 5.8.22 Diode Selection Register -- Index 59h (Bank 0)

Register Location: 59h  
 Power on Default Value 70h  
 Attribute: Read/Write  
 Size: 8 bits



Bit 7 : Reserved

Bit 6: Diode mode selection of temperature AUCTIN if index 5Dh bit3 is 1. Set this bit to 1, select Pentium II CPU compatible thermal diode. Set this bit to 0, select 2N3904 bipolar diode.

Bit 5: Diode mode selection of temperature CPUTIN if index 5Dh bit2 is 1. Set this bit to 1, select Pentium II CPU compatible thermal diode. Set this bit to 0, select 2N3904 bipolar diode.

Bit 4: Diode mode selection of temperature SYSTIN if index 5Dh bit1 is 1. Set this bit to 1, select Pentium II CPU compatible thermal diode. Set this bit to 0, select 2N3904 bipolar diode.

Bit 3-0: Reserved



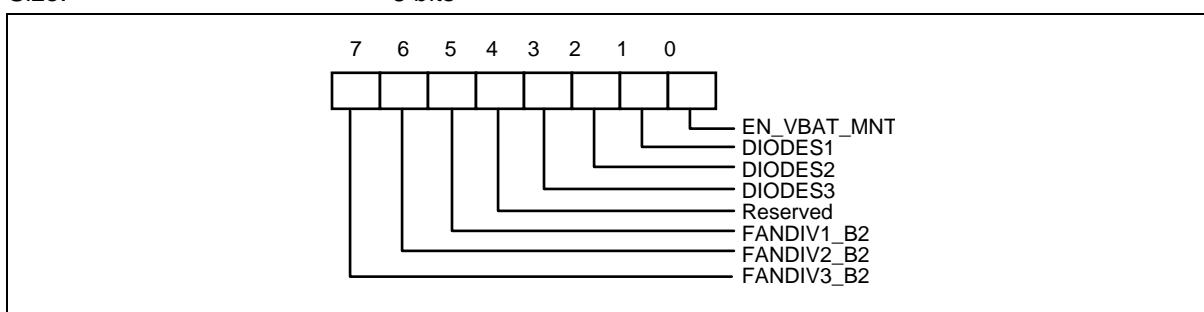
**5.8.23 Reserved -- Index 5Ah (Bank 0)**

**5.8.24 Reserved -- Index 5Bh (Bank 0)**

**5.8.25 Reserved -- Index 5Ch (Bank 0)**

**5.8.26 VBAT Monitor Control Register -- Index 5Dh (Bank 0)**

Register Location: 5Dh  
 Power on Default Value 00h  
 Attribute: Read/Write  
 Size: 8 bits



Bit 7: AUXFANIN divisor Bit2.

Bit 6: CPUFANIN divisor Bit2.

Bit 5: SYSFANIN divisor Bit2.

Bit 4: Reserved.

Bit 3: Sensor type selection of AUX TIN. Set to 1, select diode sensor. Set to 0, select thermistor sensor.

Bit 2: Sensor type selection of CPU TIN. Set to 1, select diode sensor. Set to 0, select thermistor sensor.

Bit 1: Sensor type selection of SYS TIN. Set to 1, select diode sensor. Set to 0, select thermistor sensor.

Bit 0: Set to 1, enable battery voltage monitor. Set to 0, disable battery voltage monitor. After set this bit from 0 to 1, the monitored value will be updated to the VBAT reading value register after one monitor cycle time.

**Fan divisor table :**

BIT 2	BIT 1	BIT 0	FAN DIVISOR	BIT 2	BIT 1	BIT 0	FAN DIVISOR
0	0	0	1	1	0	0	16
0	0	1	2	1	0	1	32
0	1	0	4	1	1	0	64
0	1	1	8	1	1	1	128

Table 5-3



**5.8.27 Reserved Register --5Eh (Bank 0)**

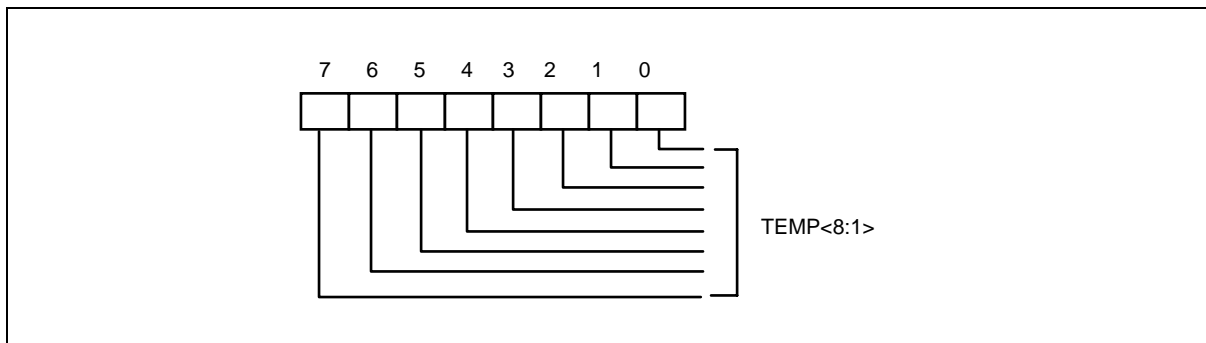
**5.8.28 Reserved Register --5Fh (Bank 0)**

**5.8.29 CPUTIN Temperature Sensor Temperature (High Byte) Register - Index 50h (Bank 1)**

Register Location: 50h

Attribute: Read Only

Size: 8 bits



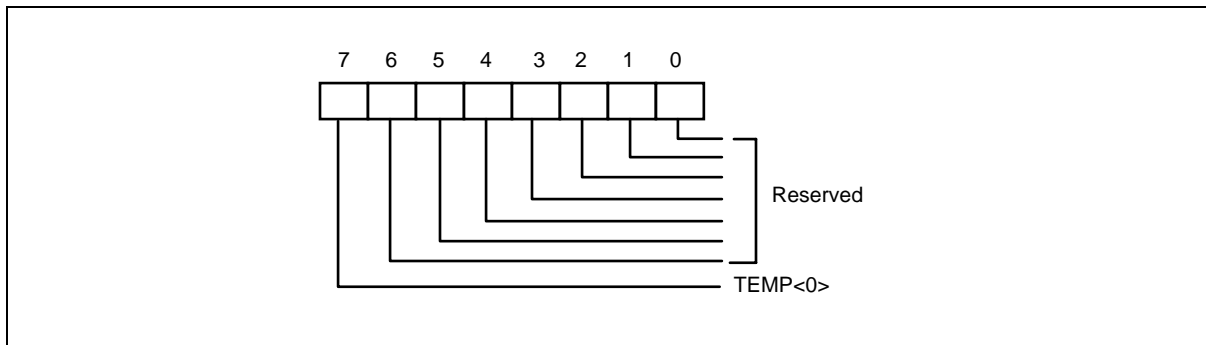
Bit 7: Temperature <8:1> of CPUTIN sensor, which is high byte, means 1°C.

**5.8.30 CPUTIN Temperature Sensor Temperature (Low Byte) Register - Index 51h (Bank 1)**

Register Location: 51h

Attribute: Read Only

Size: 8 bits



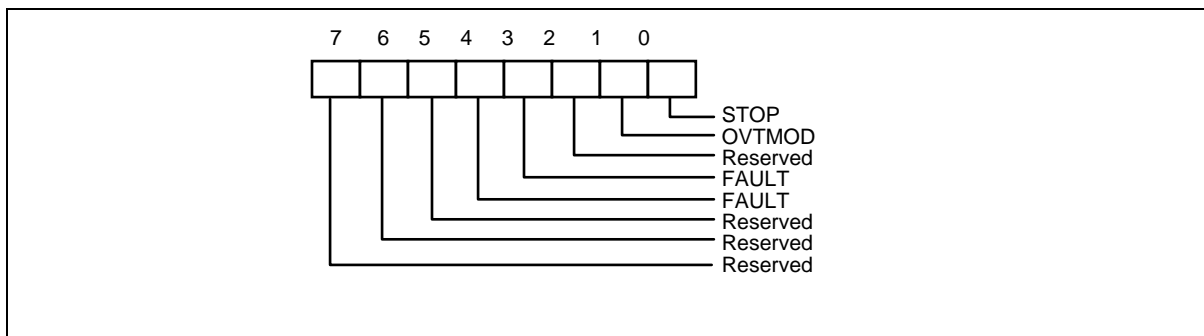
Bit 7: Temperature <0> of CPUTIN sensor, which is low byte, means 0.5°C.

Bit 6-0: Reserved.



**5.8.31 CPUTIN Temperature Sensor Configuration Register - Index 52h (Bank 1)**

Register Location: 52h  
 Power on Default Value 00h  
 Size: 8 bits



Bit 7-5: Read - Reserved. This bit should be set to 0.

Bit 4-3: Read/Write - Number of faults to detect before setting OVT# output to avoid false tripping due to noise.

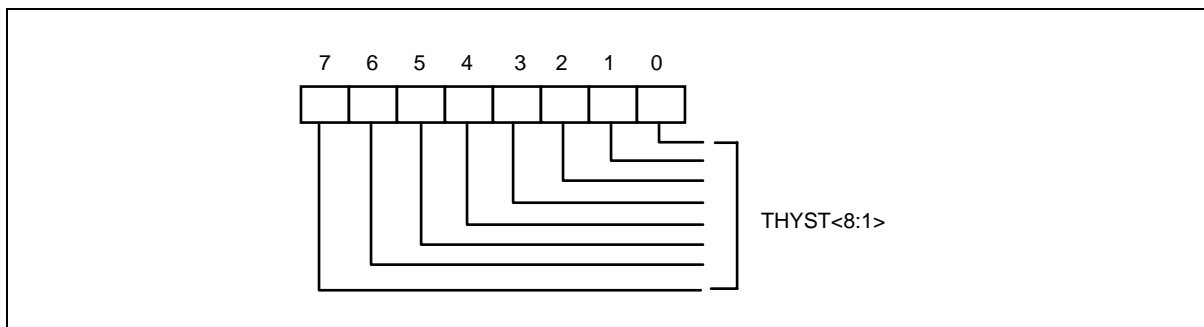
Bit 2: Read - Reserved. This bit should be set to 0.

Bit 1: Read/Write - OVT# mode select. This bit default is set to 0, which is compared mode. When set to 1, interrupt mode will be selected.

Bit 0: Read/Write - When set to 1 the sensor will stop monitor.

**5.8.32 CPUTIN Temperature Sensor Hysteresis (High Byte) Register - Index 53h (Bank 1)**

Register Location: 53h  
 Power on Default Value 4Bh  
 Attribute: Read/Write  
 Size: 8 bits



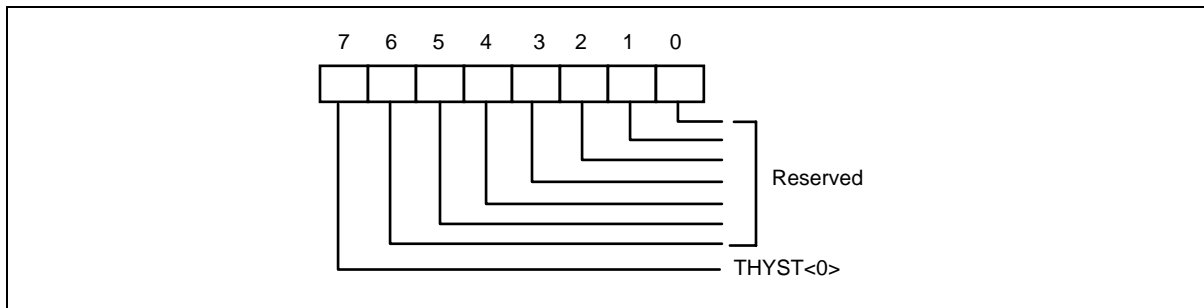
Bit 7-0: Temperature hysteresis bit 8-1, which is High Byte. The temperature default 75 degree C.





**5.8.33 CPUTIN Temperature Sensor Hysteresis (Low Byte) Register - Index 54h (Bank 1)**

Register Location: 54h  
 Power on Default Value 00h  
 Attribute: Read/Write  
 Size: 8 bits

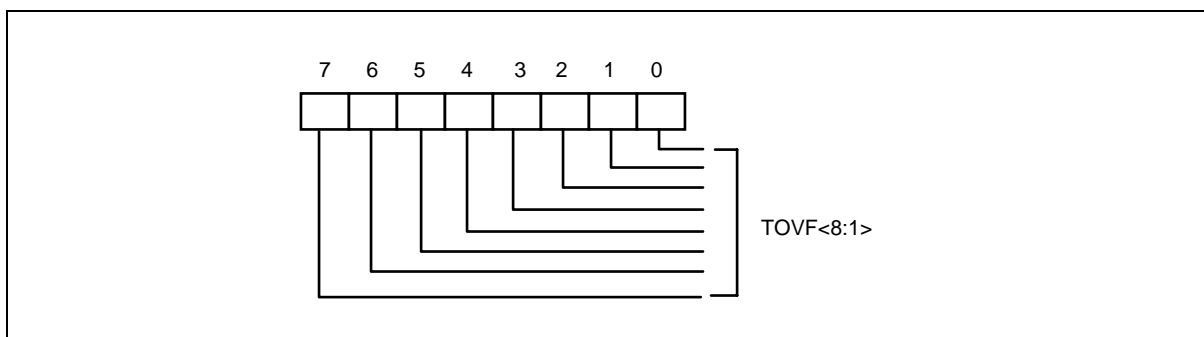


Bit 7: Hysteresis temperature bit 0, which is low Byte.

Bit 6-0: Reserved.

**5.8.34 CPUTIN Temperature Sensor Over-temperature (High Byte) Register - Index 55h (Bank1)**

Register Location: 55h  
 Power on Default Value 50h  
 Attribute: Read/Write  
 Size: 8 bits

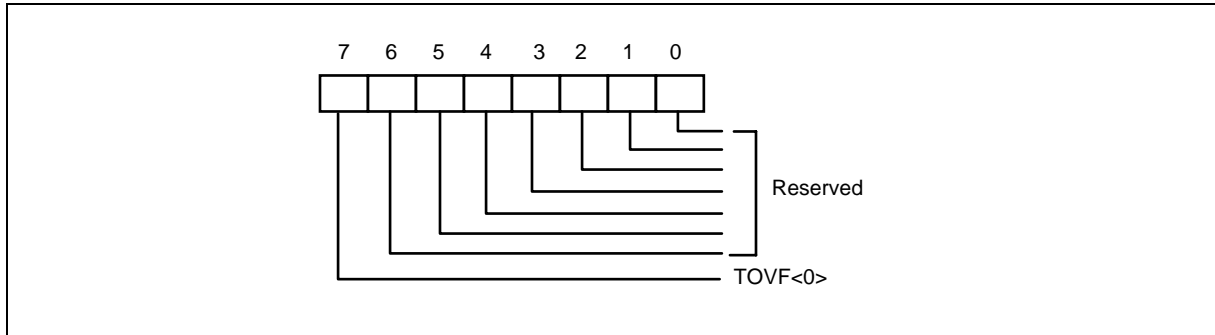


Bit 7-0: Over-temperature bit 8-1, which is High Byte. The temperature default 80 degree C.



**5.8.35 CPUTIN Temperature Sensor Over-temperature (Low Byte) Register - Index 56h (Bank 1)**

Register Location: 56h  
 Power on Default Value 00h  
 Attribute: Read/Write  
 Size: 8 bits

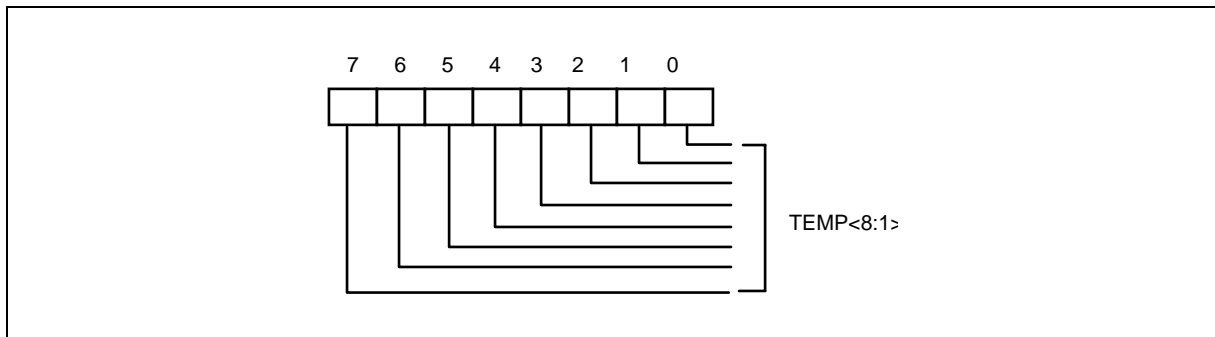


Bit 7: Over-temperature bit 0, which is low Byte.

Bit 6-0: Reserved.

**5.8.36 AUXIN Temperature Sensor Temperature (High Byte) Register - Index 50h (Bank 2)**

Register Location: 50h  
 Attribute: Read Only  
 Size: 8 bits

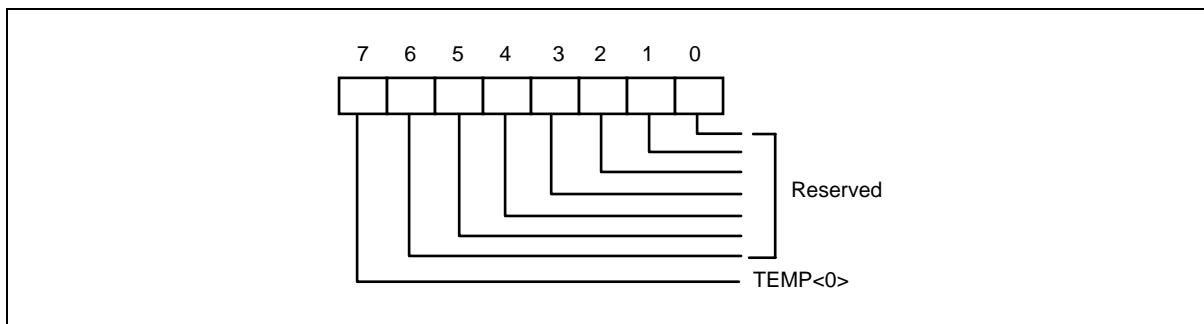


Bit 7: Temperature <8:1> of sensor 2, which is high byte, means 1°C.



**5.8.37 AUXTIN Temperature Sensor Temperature (Low Byte) Register - Index 51h (Bank 2)**

Register Location: 51h  
 Attribute: Read Only  
 Size: 8 bits

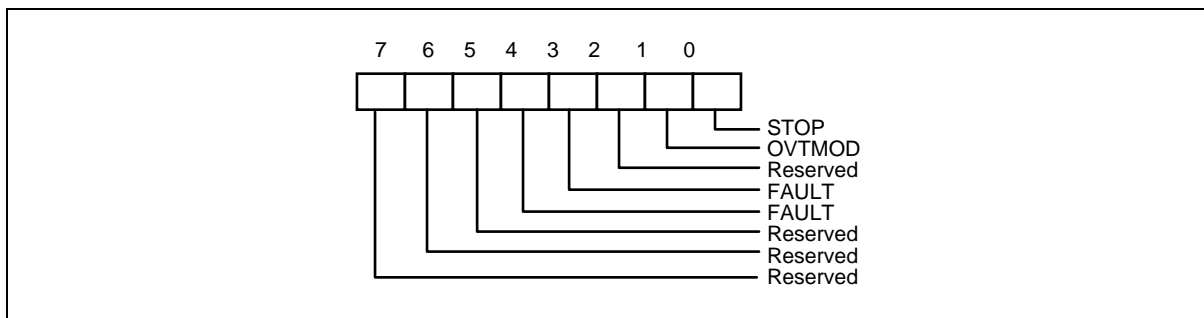


Bit 7: Temperature <0> of sensor3, which is low byte, means 0.5°C.

Bit 6-0: Reserved.

**5.8.38 AUXTIN Temperature Sensor Configuration Register - Index 52h (Bank 2)**

Register Location: 52h  
 Power on Default Value 00h  
 Size: 8 bits



Bit 7-5: Read - Reserved. This bit should be set to 0.

Bit 4-3: Read/Write - Number of faults to detect before setting OVT# output to avoid false tripping due to noise.

Bit 2: Read - Reserved. This bit should be set to 0.

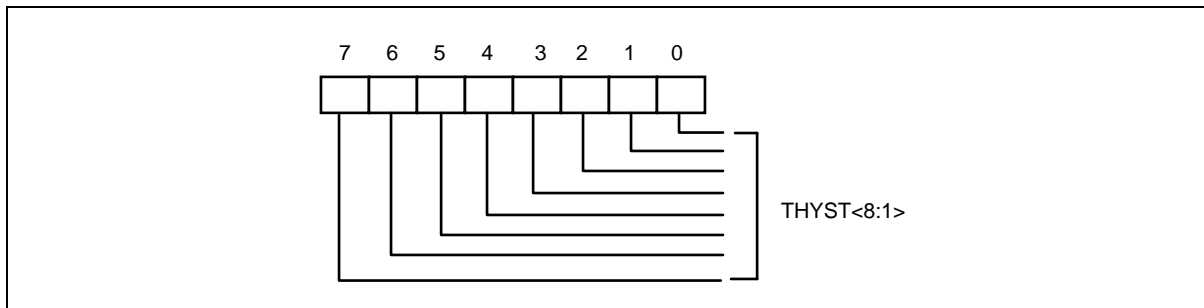
Bit 1: Read/Write - OVT# mode select. This bit default is set to 0, which is compared mode. When set to 1, interrupt mode will be selected.

Bit 0: Read/Write - When set to 1 the sensor will stop monitor.



**5.8.39 AUXTIN Temperature Sensor Hysteresis (High Byte) Register - Index 53h (Bank 2)**

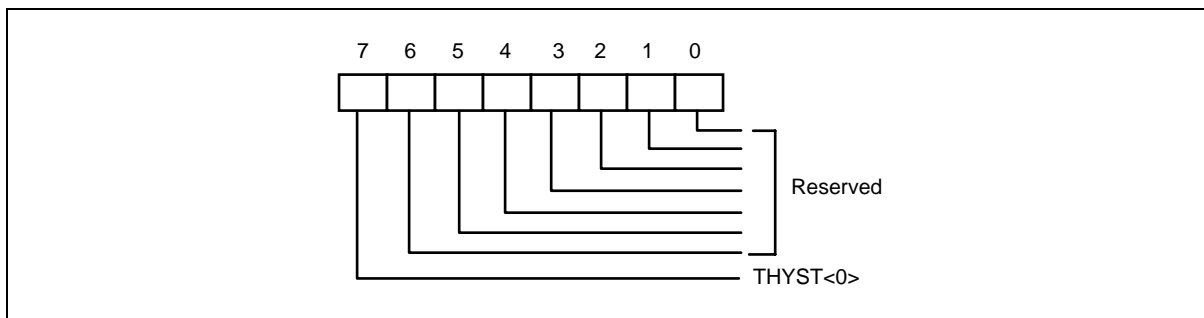
Register Location: 53h  
 Power on Default Value 4Bh  
 Attribute: Read/Write  
 Size: 8 bits



Bit 7-0: Temperature hysteresis bit 8-1, which is High Byte. The temperature default 75 degree C.

**5.8.40 AUXTIN Temperature Sensor Hysteresis (Low Byte) Register - Index 54h (Bank 2)**

Register Location: 54h  
 Power on Default Value 00h  
 Attribute: Read/Write  
 Size: 8 bits

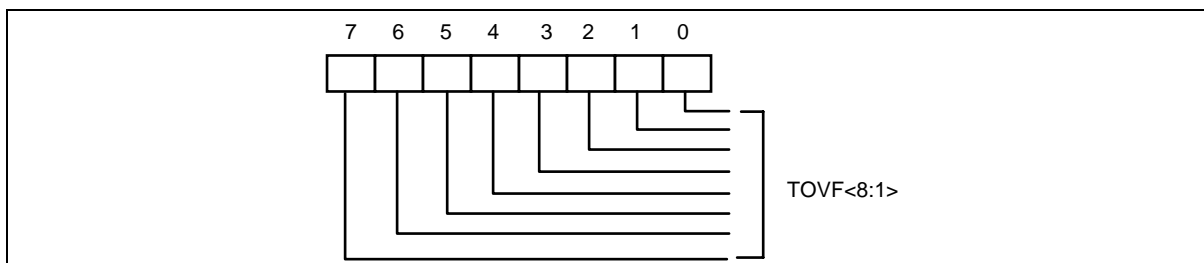


Bit 7: Hysteresis temperature bit 0, which is low Byte.

Bit 6-0: Reserved.

**5.8.41 AUXTIN Temperature Sensor Over-temperature (High Byte) Register - Index 55h (Bank 2)**

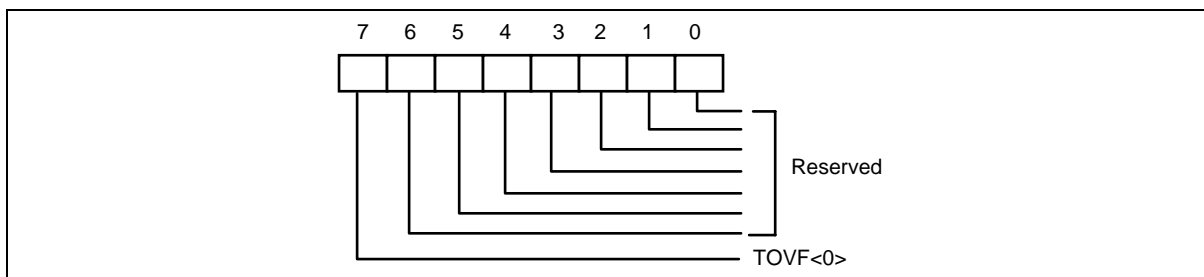
Register Location: 55h  
 Power on Default Value 50h  
 Attribute: Read/Write  
 Size: 8 bits



Bit 7-0: Over-temperature bit 8-1, which is High Byte. The temperature default 80 degree C.

**5.8.42 AUXTIN Temperature Sensor Over-temperature (Low Byte) Register - Index 56h (Bank 2)**

Register Location: 56h  
 Power on Default Value 00h  
 Attribute: Read/Write  
 Size: 8 bits

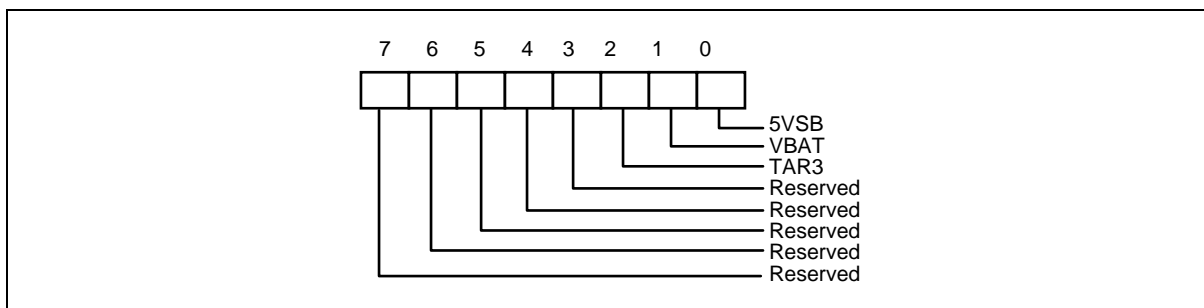


Bit 7: Over-temperature bit 0, which is low Byte.

Bit 6-0: Reserved.

**5.8.43 Interrupt Status Register 3 -- Index 50h (BANK4)**

Register Location: 50h  
 Power on Default Value 00h  
 Attribute: Read Only  
 Size: 8 bits





Bit 7-3: Reserved.

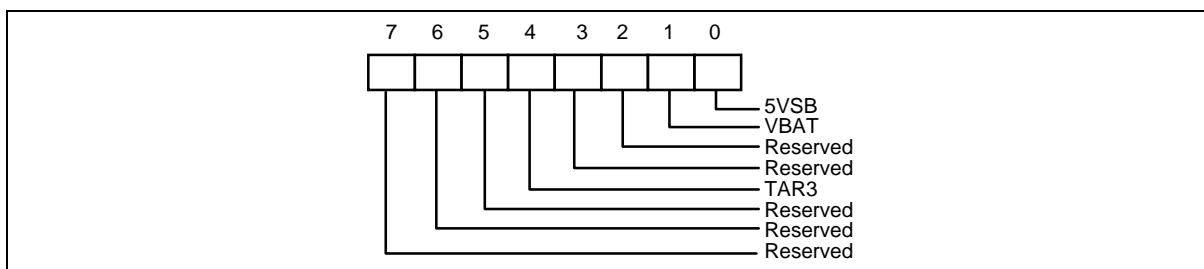
Bit 2: A one indicates that the AUXTIN temperature has been over the target temperature for 3 minutes with full fan speed at thermal cruise mode of SmartFan™.

Bit 1: A one indicates a High or Low limit of VBAT has been exceeded.

Bit 0: A one indicates a High or Low limit of 5VSB has been exceeded.

### 5.8.44 SMI# Mask Register 3 -- Index 51h (BANK 4)

Register Location: 51h  
 Power on Default Value FFh  
 Attribute: Read/Write  
 Size: 8 bits



Bit 7-5: Reserved.

Bit 4: A one disables the corresponding interrupt status bit for  $\overline{\text{SMI}}$  interrupt.

Bit 2-3: Reserved.

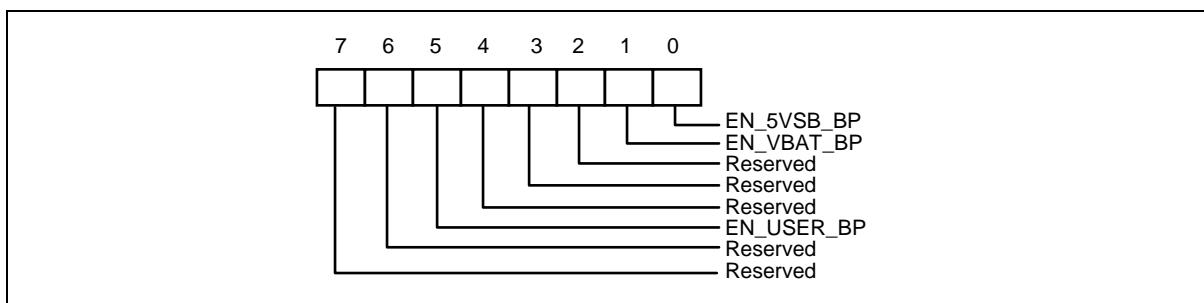
Bit 1: A one disables the corresponding interrupt status bit for  $\overline{\text{SMI}}$  interrupt.

Bit 0: A one disables the corresponding interrupt status bit for  $\overline{\text{SMI}}$  interrupt.

### 5.8.45 Reserved Register -- Index 52h (Bank 4)

### 5.8.46 BEEP Control Register 3-- Index 53h (Bank 4)

Register Location: 53h  
 Power on Default Value 00h  
 Attribute: Read/Write  
 Size: 8 bits





Bit 7-6: Reserved.

Bit 5: User define BEEP output function. Write 1, the BEEP is always active. Write 0, this function is inactive. (Default 0)

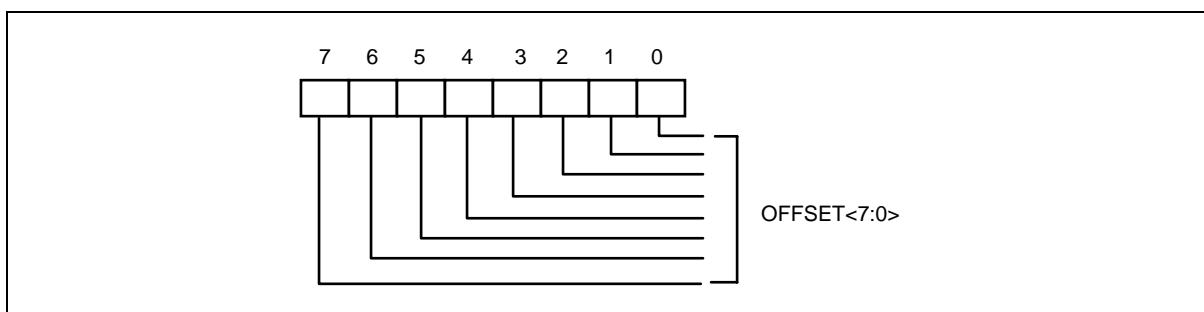
Bit 4-2: Reserved.

Bit 1: BEEP output control for VBAT if the monitor value exceed the limit value. Write 1, enable BEEP output. Write 0, disable BEEP output, which is default value.

Bit 0: BEEP output control for 5VSB if the monitor value exceed the limit value. Write 1, enable BEEP output. Write 0, disable BEEP output, which is default value.

### 5.8.47 SYSTIN Temperature Sensor Offset Register -- Index 54h (Bank 4)

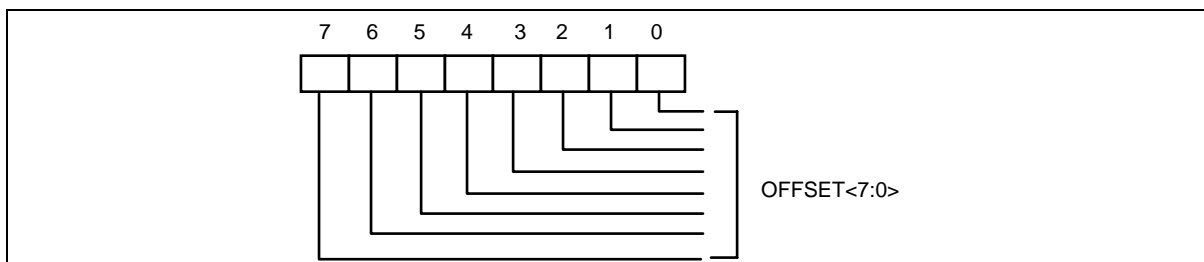
Register Location: 54h  
 Power on Default Value 00h  
 Attribute: Read/Write  
 Size: 8 bits



Bit 7-0: SYSTIN temperature offset value. The value in this register will be added to the monitored value so that the reading value will be the sum of the monitored value and the offset value.

### 5.8.48 CPUTIN Temperature Sensor Offset Register -- Index 55h (Bank 4)

Register Location: 55h  
 Power on Default Value 00h  
 Attribute: Read/Write  
 Size: 8 bits

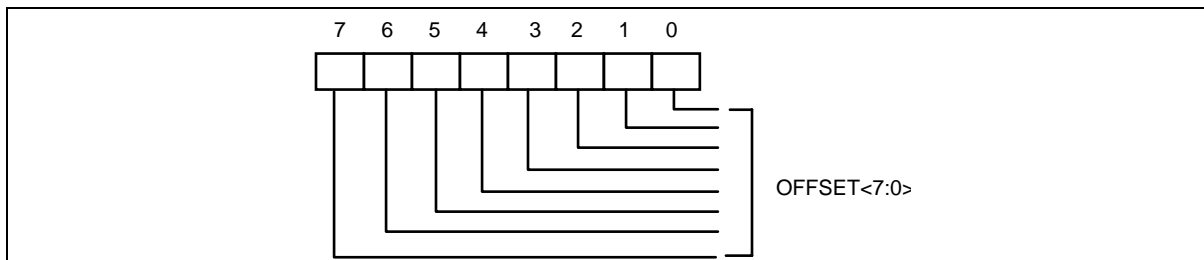


Bit 7-0: CPUTIN temperature offset value. The value in this register will be added to the monitored value so that the reading value will be the sum of the monitored value and the offset value.



**5.8.49 AUXTIN Temperature Sensor Offset Register -- Index 56h (Bank 4)**

Register Location: 56h  
 Power on Default Value 00h  
 Attribute: Read/Write  
 Size: 8 bits

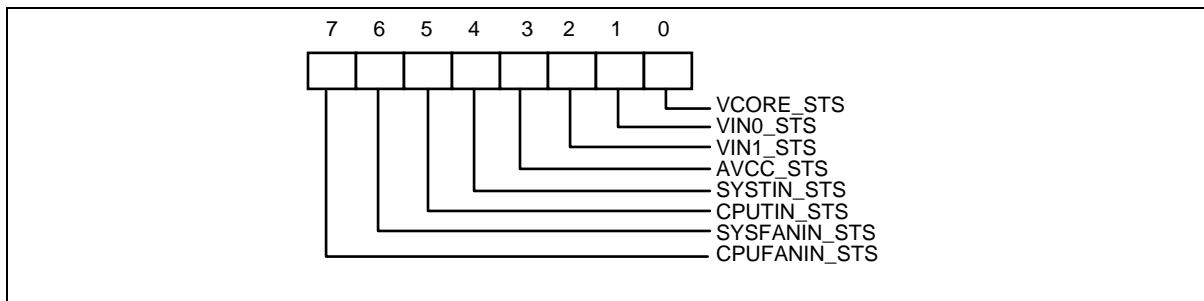


Bit 7-0: AUXTIN temperature offset value. The value in this register will be added to the monitored value so that the reading value will be the sum of the monitored value and the offset value.

**5.8.50 Reserved Register -- Index 57h--58h (Bank4)**

**5.8.51 Real Time Hardware Status Register I -- Index 59h (Bank 4)**

Register Location: 59h  
 Power on Default Value 00h  
 Attribute: Read Only  
 Size: 8 bits



- Bit 7: CPUFANIN Status. Set 1, the fan speed counter is over the limit value. Set 0, the fan speed counter is in the limit range.
- Bit 6: SYSFANIN Status. Set 1, the fan speed counter is over the limit value. Set 0, the fan speed counter is in the limit range.
- Bit 5: CPUTIN temperature sensor status. Set 1, the temperature exceeds the over-temperature limit value. Set 0, the temperature is in under the hysteresis value.
- Bit 4: SYSTIN temperature sensor status. Set 1, the temperature exceeds the over-temperature limit value. Set 0, the temperature is in under the hysteresis value.
- Bit 3: AVCC Voltage Status. Set 1, the voltage of AVCC is over the limit value. Set 0, the voltage of AVCC is in the limit range.





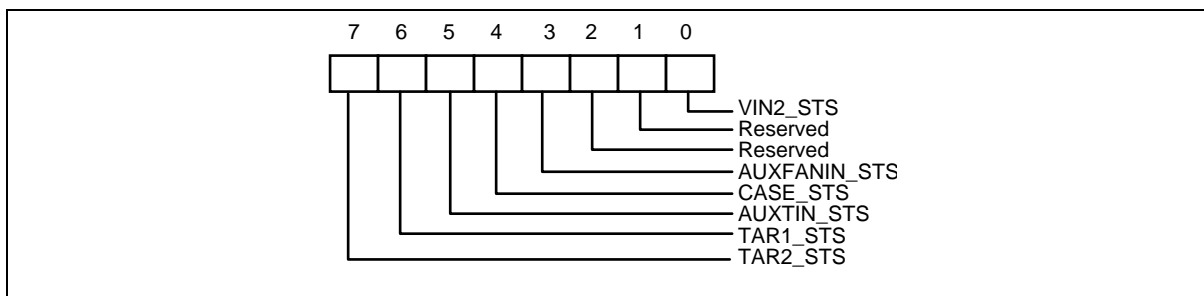
Bit 2: VIN1 Voltage Status. Set 1, the voltage of VIN1 is over the limit value. Set 0, the voltage of VIN1 is in the limit range.

Bit 1: VIN0 Voltage Status. Set 1, the voltage of VIN0 is over the limit value. Set 0, the voltage of VIN0 is in the limit range.

Bit 0: VCORE Voltage Status. Set 1, the voltage of VCORE is over the limit value. Set 0, the voltage of VCORE is in the limit range.

### 5.8.52 Real Time Hardware Status Register II -- Index 5Ah (Bank 4)

Register Location: 5Ah  
 Power on Default Value 00h  
 Attribute: Read Only  
 Size: 8 bits



Bit 7: Smart CPUFANIN warning status. Set 1, the CPUTIN temperature has been over the target temperature for 3 minutes with full fan speed at thermal cruise mode of SmartFan™. Set 0, the temperature does not reach the warning range yet.

Bit 6: Smart SYSFANIN warning status. Set 1, the SYSTIN temperature has been over the target temperature for 3 minutes with full fan speed at thermal cruise mode of SmartFan™. Set 0, the temperature does not reach the warning range yet.

Bit 5: AUXTIN temperature sensor status. Set 1, the temperature exceeds the over-temperature limit value. Set 0, the temperature is in under the hysteresis value.

Bit 4: Case Open Status. Set 1, the case open is detected and latched. Set 0, the case is not latched open.

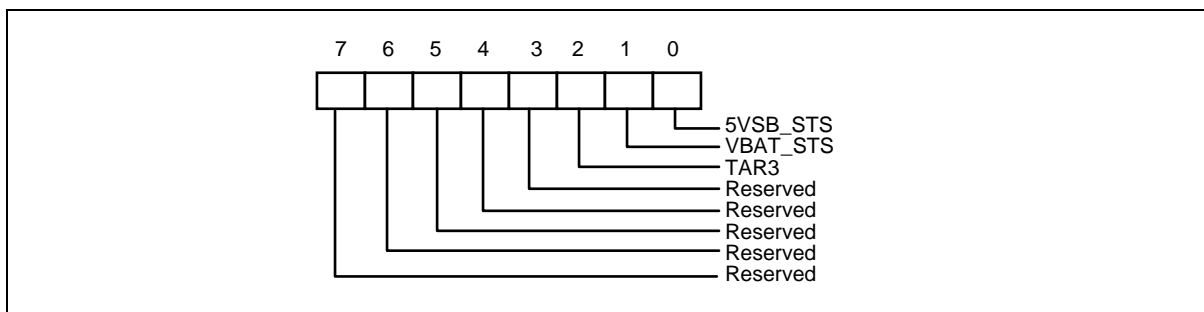
Bit 3: CPUFANIN Status. Set 1, the fan speed counter is over the limit value. Set 0, the fan speed counter is in the limit range.

Bit 2-1: Reserved.

Bit 0: VIN2 Voltage Status. Set 1, the voltage of VIN2 is over the limit value. Set 0, the voltage of VIN2 is in the limit range.

### 5.8.53 Real Time Hardware Status Register III -- Index 5Bh (Bank 4)

Register Location: 5Bh  
 Power on Default Value 00h  
 Attribute: Read Only  
 Size: 8 bits



Bit 7-2: Reserved.

Bit 2: Smart AUXFANIN warning status. Set 1, the AUXTIN temperature has been over the target temperature for 3 minutes with full fan speed at thermal cruise mode of SmartFan™. Set 0, the temperature does not reach the warning range yet.

Bit 1: VBAT Voltage Status. Set 1, the voltage of VBAT is over the limit value. Set 0, the voltage of VBAT is during the limit range.

Bit 0: 5VSB Voltage Status. Set 1, the voltage of 5VSB is over the limit value. Set 0, the voltage of 5VSB is in the limit range.

**5.8.54 Reserved Register -- Index 5Ch (Bank 4)**

**5.8.55 Reserved Register -- Index 5Dh (Bank 4)**

**5.8.56 Value RAM 2— Index 50h - 5Ah (BANK 5)**

ADDRESS A6-A0	DESCRIPTION
50h	5VSB reading
51h	VBAT reading. The reading is meaningless if EN_VBAT_MNT bit(CR5D bit0) is not set.
52h	Reserved
53h	Reserved
54h	5VSB High Limit
55h	5VSB Low Limit.
56h	VBAT High Limit
57h	VBAT Low Limit

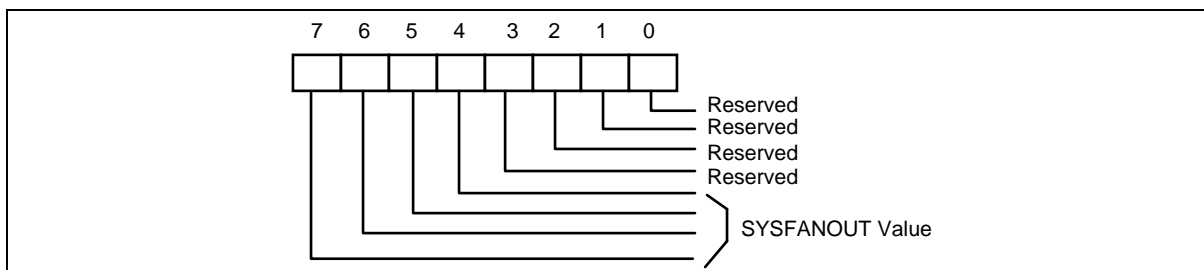


**5.8.57 Winbond Test Register -- Index 50h (Bank 6)**

**5.8.58 Reserved Register--Index00h (Bank 0)**

**5.8.59 SYSFANOUT Output Value Control Register-- 01h (Bank 0)**

Register Location: 01h  
 Power on Default Value FFh  
 Attribute: Read/Write  
 Size: 8 bits



Bit 7-4: SYSFANOUT voltage control.

$$\text{OUTPUT Voltage} = AVCC * \frac{FANOUT}{16}$$

If AVCC= 5V , output voltage table is

BIT 7	BIT 6	BIT 5	BIT 4	OUTPUT VOLTAGE	BIT 7	BIT 6	BIT 5	BIT 4	OUTPUT VOLTAGE
0	0	0	0	0	1	0	0	0	2.50
0	0	0	1	0.31	1	0	0	1	2.81
0	0	1	0	0.63	1	0	1	0	3.13
0	0	1	1	0.97	1	0	1	1	3.44
0	1	0	0	1.25	1	1	0	0	3.75
0	1	0	1	1.56	1	1	0	1	4.06
0	1	1	0	1.88	1	1	1	0	4.38
0	1	1	1	2.19	1	1	1	1	4.69

Table 5-4 .

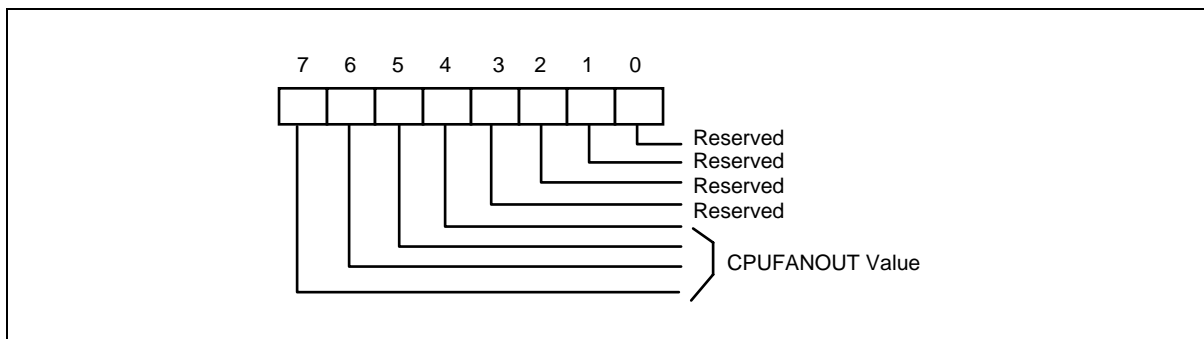
**Note.** The accuracy of FANOUT voltage is +/- 0.16 V.



**5.8.60 Reserved Register—Index02h (Bank 0)**

**5.8.61 CPUFANOUT Output Value Control Register-- 03h (Bank 0)**

Register Location: 03h  
 Power on Default Value FFh  
 Attribute: Read/Write  
 Size: 8 bits



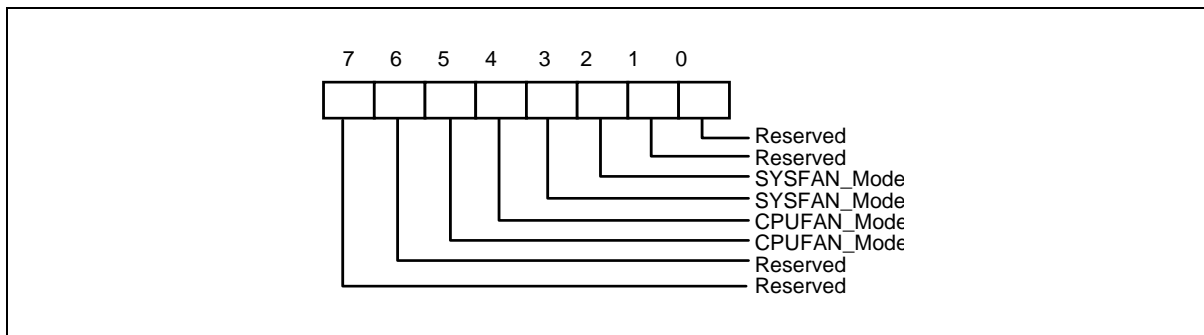
Bit 7-4: CPUFANOUT voltage control.

$$\text{OUTPUT Voltage} = AVCC * \frac{FANOUT}{16}$$

**Note:** See the Table 5-4

**5.8.62 FAN Configuration Register I -- Index 04h (Bank 0)**

Register Location: 04h  
 Power on Default Value 00h  
 Attribute: Read/Write  
 Size: 8 bits



Bit7-6: Reserved

Bit5-4: CPUFANOUT mode control.

Set 00, CPUFANOUT is as Manual Mode. (Default).

Set 01, CPUFANOUT is as Thermal Cruise Mode.



Set 10, CPUFANOUT is as Fan Speed Cruise Mode.

Set 11, reserved and no function.

Bit3-2: SYSFANOUT mode control.

Set 00, SYSFANOUT is as Manual Mode. (Default).

Set 01, SYSFANOUT is as Thermal Cruise Mode.

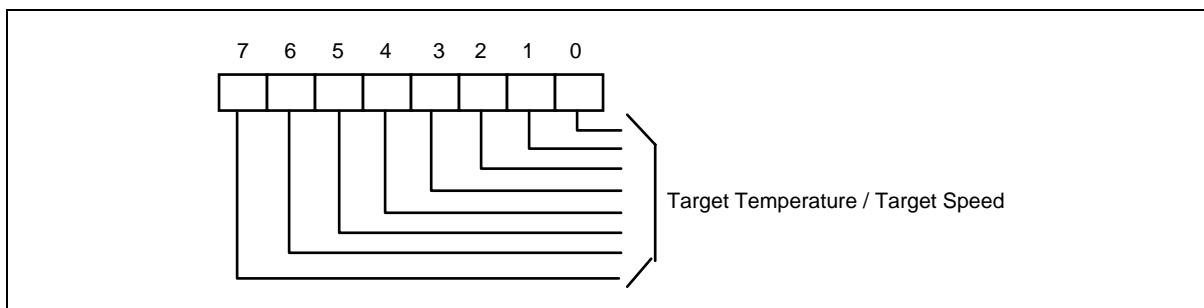
Set 10, SYSFANOUT is as Fan Speed Cruise Mode.

Set 11, reserved and no function.

Bit 1-0:Reserved.

### 5.8.63 SYSTIN Target Temperature Register/ SYSFANIN Target Speed Register -- Index 05h (Bank 0)

Register Location: 05h  
 Power on Default Value 00h  
 Attribute: Read/Write  
 Size: 8 bits



(1).When at Thermal Cruise mode:

Bit7: Reserved.

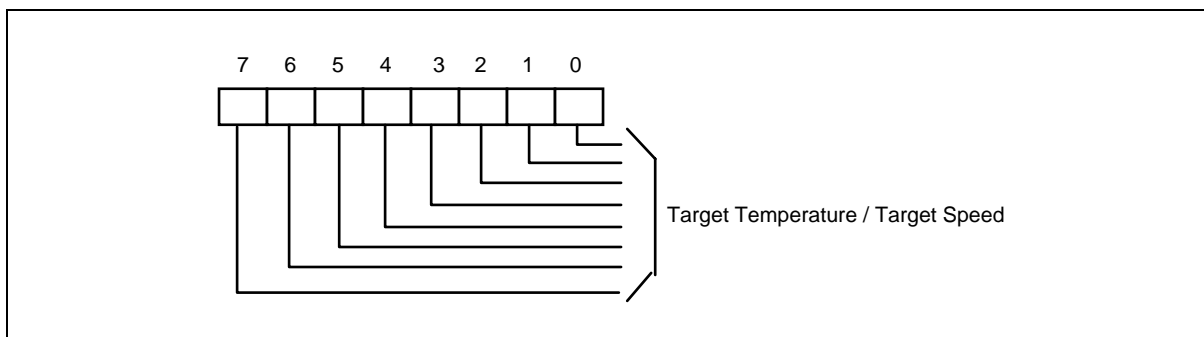
Bit6-0: SYSTIN Target Temperature.

(2).When at Fan Speed Cruise mode:

Bit7-0: SYSFANIN Target Speed.

### 5.8.64 CPUTIN Target Temperature Register/ CPUFANIN Target Speed Register -- Index 06h (Bank 0)

Register Location: 06h  
 Power on Default Value 00h  
 Attribute: Read/Write  
 Size: 8 bits



(1).When at Thermal Cruise mode:

Bit7: Reserved.

Bit6-0: CPUTIN Target Temperature.

(2).When at Fan Speed Cruise mode:

Bit7-0: CPUFANIN Target Speed.

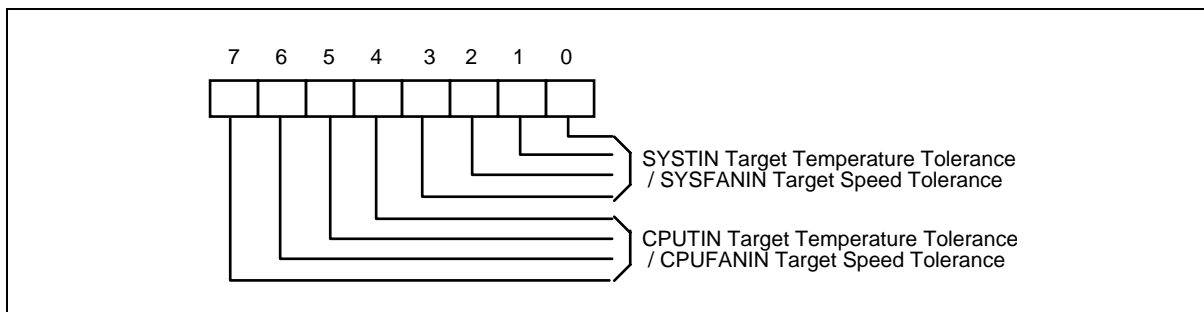
**5.8.65 Tolerance of Target Temperature or Target Speed Register -- Index 07h (Bank 0)**

Register Location: 07h

Power on Default Value 00h

Attribute: Read/Write

Size: 8 bits



(1).When at Thermal Cruise mode:

Bit7-4: Tolerance of CPUTIN Target Temperature.

Bit3-0: Tolerance of SYSTIN Target Temperature.

(2).When at Fan Speed Cruise mode:

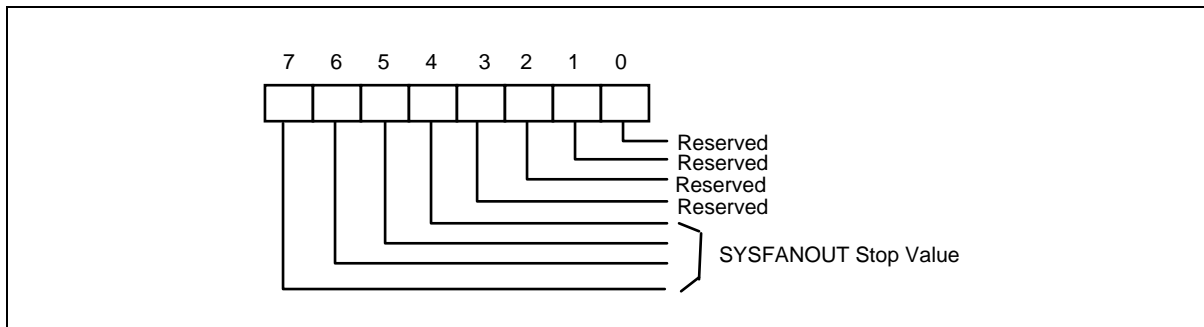
Bit7-4: Tolerance of CPUFANIN Target Speed.

Bit3-0: Tolerance of SYSFANIN Target Speed.



**5.8.66 SYSFANOUT Stop Value Register -- Index 08h (Bank 0)**

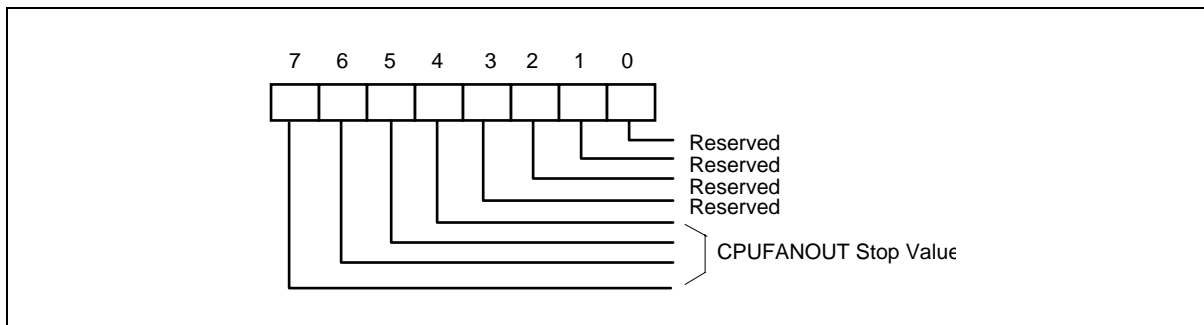
Register Location: 08h  
 Power on Default Value 01h  
 Attribute: Read/Write  
 Size: 8 bits



When at Thermal Cruise mode, SYSFANOUT voltage will decrease to this register value. This register should be written a non-zero minimum output value.

**5.8.67 CPUFANOUT Stop Value Register -- 09h (Bank 0)**

Register Location: 09h  
 Power on Default Value 01h  
 Attribute: Read/Write  
 Size: 8 bits

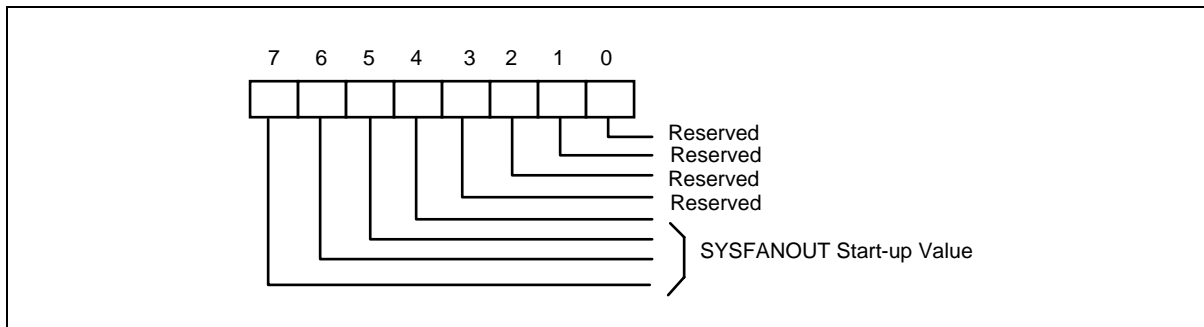


When at Thermal Cruise mode, CPUFANOUT voltage will decrease to this register value. This register should be written a non-zero minimum output value.



**5.8.68 SYSFANOUT Start-up Value Register -- Index 0Ah (Bank 0)**

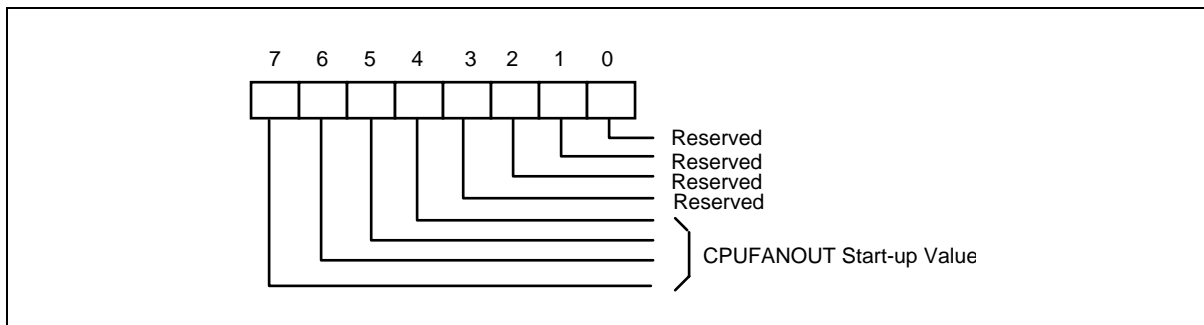
Register Location: 0Ah  
 Power on Default Value 01h  
 Attribute: Read/Write  
 Size: 8 bits



When at Thermal Cruise mode, SYSFANOUT voltage will increase from 0 to this register value to provide a minimum value to turn on the fan.

**5.8.69 CPUFANOUT Start-up Value Register -- Index 0Bh (Bank 0)**

Register Location: 0Bh  
 Power on Default Value 01h  
 Attribute: Read/Write  
 Size: 8 bits



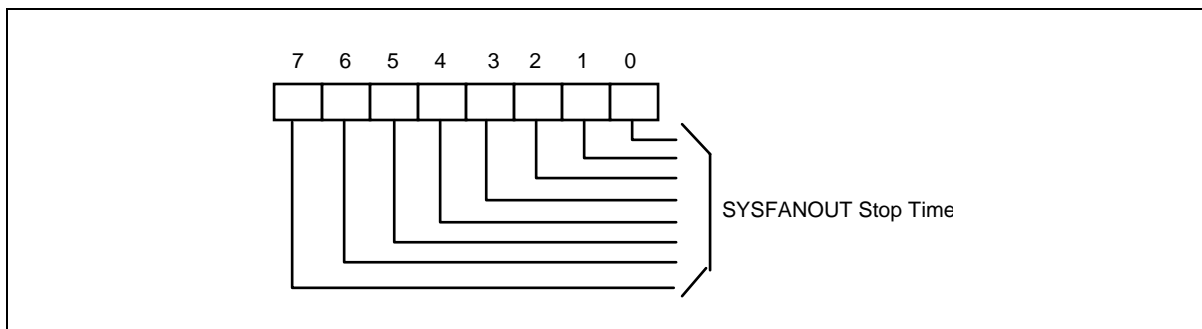
When at Thermal Cruise mode, CPUFANOUT voltage will increase from 0 to this register value to provide a minimum value to turn on the fan.





### 5.8.70 SYSFANOUT Stop Time Register -- Index 0Ch (Bank 0)

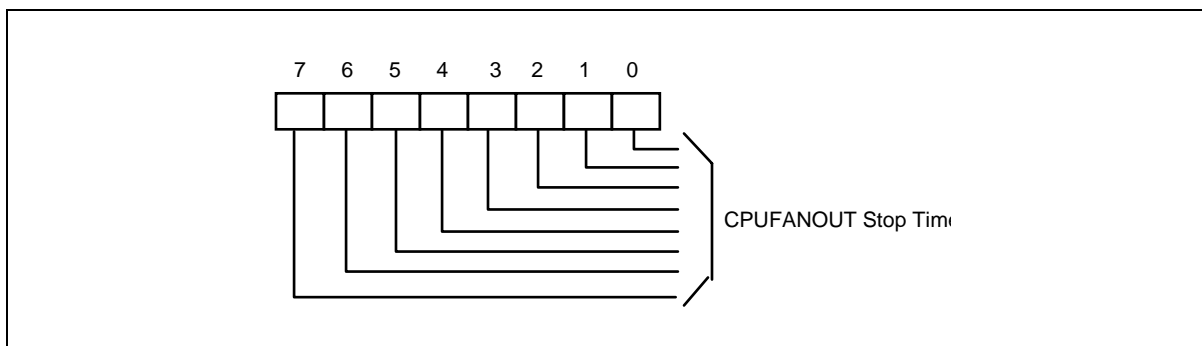
Register Location: 0Ch  
 Power on Default Value 3Ch  
 Attribute: Read/Write  
 Size: 8 bits



When at Thermal Cruise mode, this register determines the time of which SYSFANOUT voltage is from stop value to 0. The unit of this register is 0.1 second. The default time is 6 seconds.

### 5.8.71 CPUFANOUT Stop Time Register -- Index 0Dh (Bank 0)

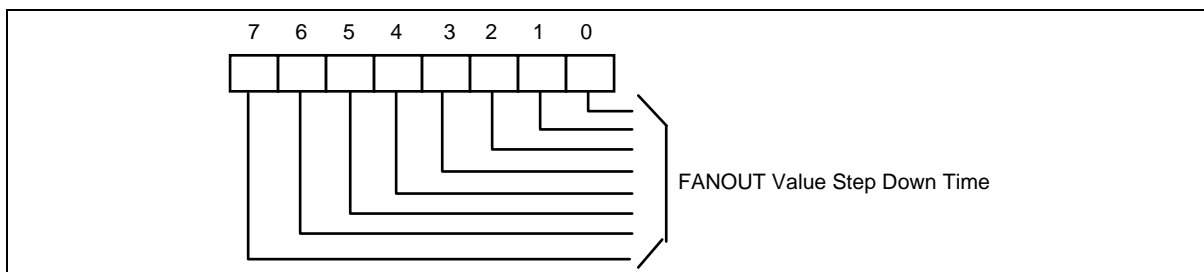
Register Location: 0Dh  
 Power on Default Value 3Ch  
 Attribute: Read/Write  
 Size: 8 bits



When at Thermal Cruise mode, this register determines the time of which CPUFANOUT voltage is from stop value to 0. The unit of this register is 0.1 second. The default time is 6 seconds.

### 5.8.72 Fan Output Step Down Time Register -- Index 0Eh (Bank 0)

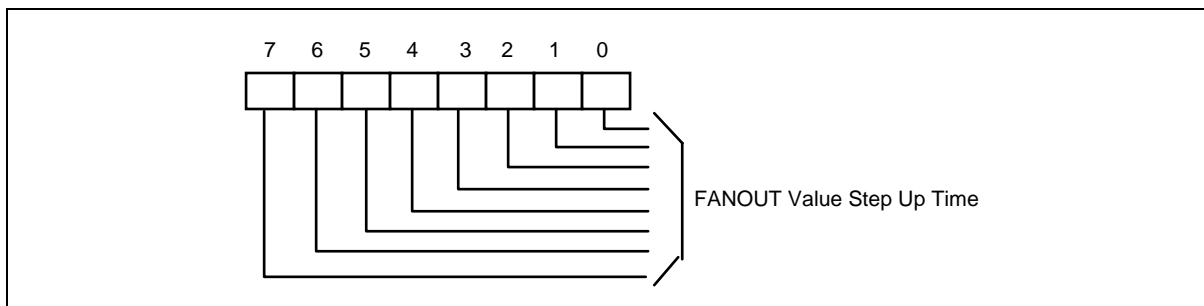
Register Location: 0Eh  
 Power on Default Value 0Ah  
 Attribute: Read/Write  
 Size: 8 bits



This register determines the speed of FANOUT decreasing the voltage in Smart Fan Control mode. The Unit is 1.6 second.

**5.8.73 Fan Output Step Up Time Register -- Index 0Fh (Bank 0)**

Register Location: 0Fh  
 Power on Default Value 0Ah  
 Attribute: Read/Write  
 Size: 8 bits

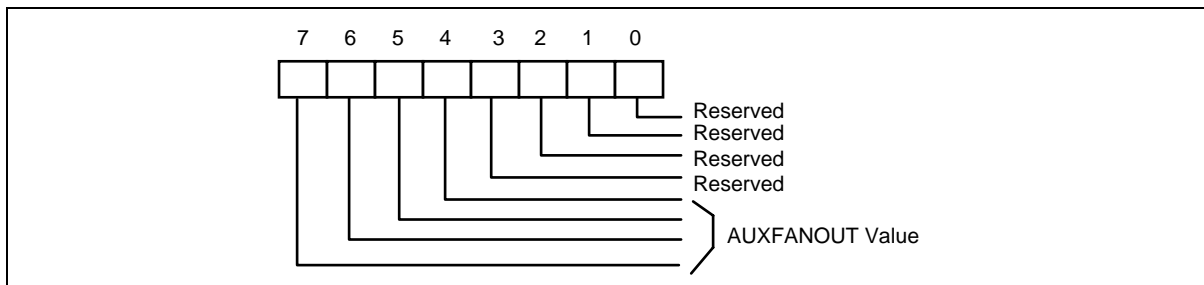


This register determines the speed of FANOUT increasing the voltage in Smart Fan Control mode. The Unit is 1.6 second

**5.8.74 Reserved Register—Index10h (Bank 0)**

**5.8.75 AUXFANOUT Output Value Control Register-- 11h (Bank 0)**

Register Location: 11h  
 Power on Default Value FFh  
 Attribute: Read/Write  
 Size: 8 bits





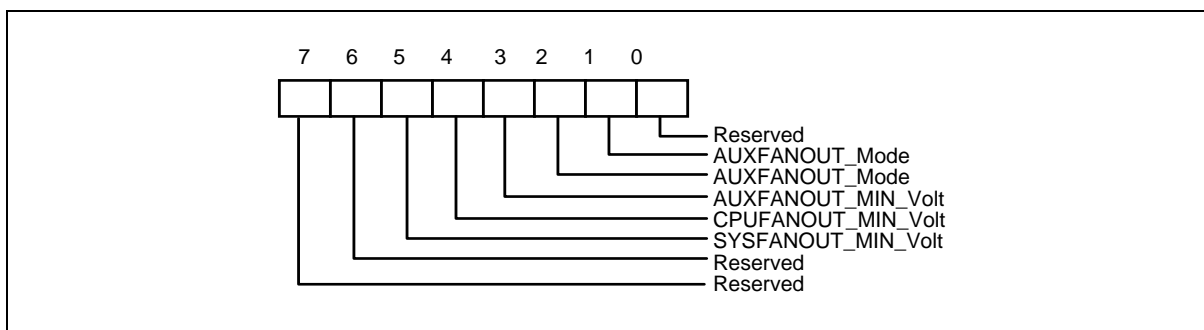
Bit 7-4: AUXFANOUT voltage control.

$$\text{OUTPUT Voltage} = AVCC * \frac{FANOUT}{16}$$

**Note:** See the Table 5-4

### 5.8.76 FAN Configuration Register II -- Index 12h (Bank 0)

Register Location: 12h  
 Power on Default Value 00h  
 Attribute: Read/Write  
 Size: 8 bits



Bit7-6: Reserved

Bit 5: Set 1, SYSFANOUT voltage will decrease to and keep the value set in Index 08h when temperature goes below target range. This is to maintain the fan speed in a minimum value.

Set 0, SYSFANOUT duty cycle will decrease to 0 when temperature goes below target range.

Bit 4: Set 1, CPUFANOUT duty cycle will decrease to and keep the value set in Index 09h when temperature goes below target range. This is to maintain the fan speed in a minimum value.

Set 0, CPUFANOUT duty cycle will decrease to 0 when temperature goes below target range.

Bit 3: Set 1, AUXFANOUT duty cycle will decrease to and keep the value set in Index 15h when temperature goes below target range. This is to maintain the fan speed in a minimum value.

Set 0, AUXFANOUT duty cycle will decrease to 0 when temperature goes below target range.

Bit2-1: AUXFANOUT mode control.

Set 00, AUXFANOUT is as Manual Mode. (Default).

Set 01, AUXFANOUT is as Thermal Cruise Mode.

Set 10, AUXFANOUT is as Fan Speed Cruise Mode.

Set 11, reserved and no function.

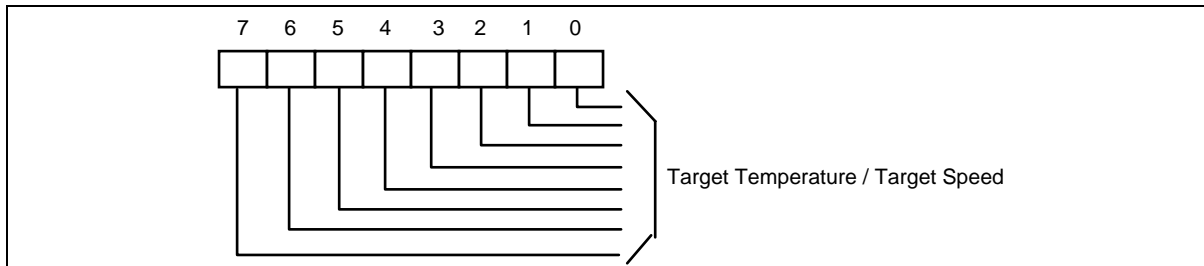
Bit 0:Reserved.

### 5.8.77 AUXTIN Target Temperature Register/ AUXFANIN Target Speed Register -- Index 13h (Bank 0)

Register Location: 13h  
 Power on Default Value 00h



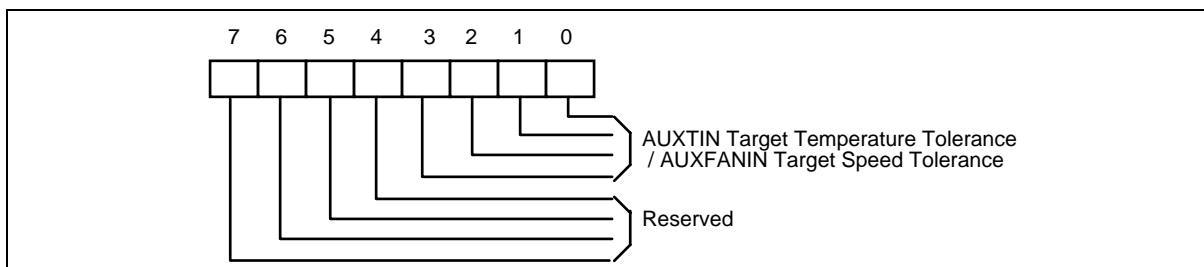
Attribute: Read/Write  
 Size: 8 bits



- (1).When at Thermal Cruise mode:
  - Bit7: Reserved.
  - Bit6-0: AUXTIN Target Temperature.
- (2).When at Fan Speed Cruise mode:
  - Bit7-0: AUXFANIN Target Speed.

**5.8.78 Tolerance of Target Temperature or Target Speed Register -- Index 14h (Bank 0)**

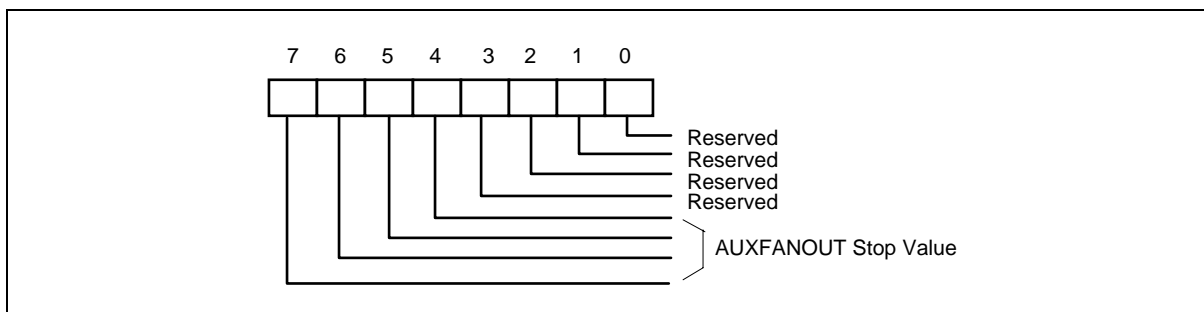
Register Location: 14h  
 Power on Default Value 00h  
 Attribute: Read/Write  
 Size: 8 bits



- (1).When at Thermal Cruise mode:
  - Bit3-0: Tolerance of AUXTIN Target Temperature.
- (2).When at Fan Speed Cruise mode:
  - Bit3-0: Tolerance of AUXFANIN Target Speed.

**5.8.79 AUXFANOUT Stop Value Register -- Index 15h (Bank 0)**

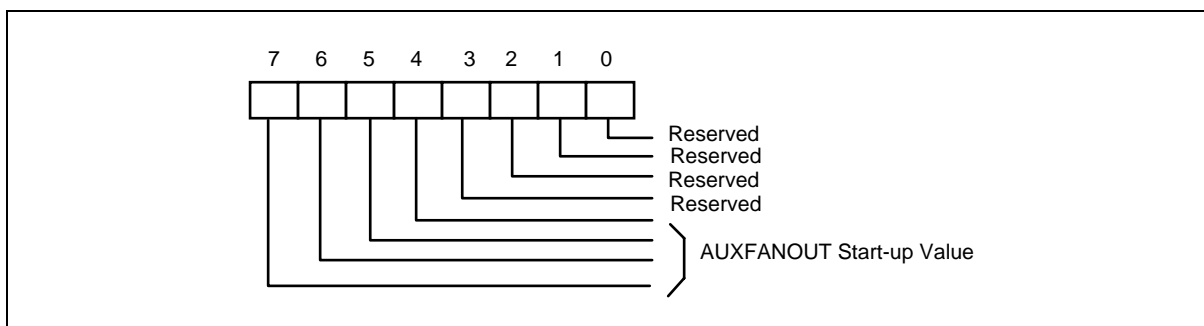
Register Location: 15h  
 Power on Default Value 01h  
 Attribute: Read/Write  
 Size: 8 bits



When at Thermal Cruise mode, AUXFANOUT value will decrease to register value. This register should be written a non-zero minimum output value.

**5.8.80 AUXFANOUT Start-up Value Register -- Index 16h (Bank 0)**

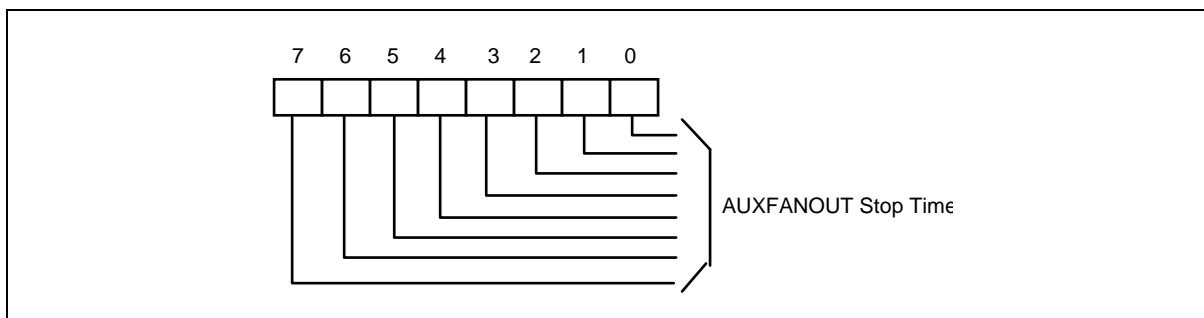
Register Location: 16h  
 Power on Default Value 01h  
 Attribute: Read/Write  
 Size: 8 bits



When at Thermal Cruise mode, AUXFANOUT value will increase from 0 to this register value to provide a minimum voltage to turn on the fan.

**5.8.81 AUXFANOUT Stop Time Register -- Index 17h (Bank 0)**

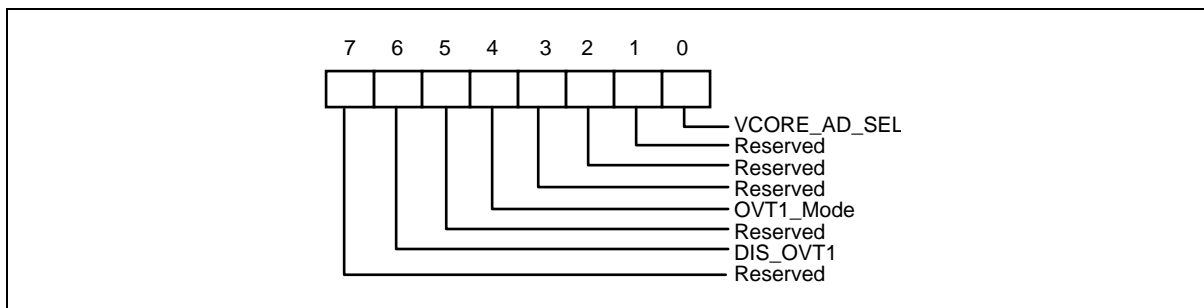
Register Location: 17h  
 Power on Default Value 3Ch  
 Attribute: Read/Write  
 Size: 8 bits



When at Thermal Cruise mode, this register determines the time of which AUXFANOUT voltage is from stop value to 0. The unit of this register is 0.1 second. The default time is 6 seconds.

**5.8.82 VRM & OVT Configuration Register -- Index 18h (Bank 0)**

Register Location: 18h  
 Power on Default Value 43h  
 Attribute: Read/Write  
 Size: 8 bits



Bit 7: Reserved.

Bit 6: Set to 1, disable temperature sensor SYSTIN over-temperature (OVT#) output. Set to 0, enable the SYSTIN OVT# output.

Bit 5: Reserved.

Bit 4: SYSTIN OVT# mode select. This bit default is set to 0, which is compared mode. When set to 1, interrupt mode will be selected.

Bit 3-1: Reserved.

Bit 0: CPUVCORE pin voltage detection method selection. Set to 1, VRM9 formula is selected. Set to 0, VRM8 formula is selected. This bit default value is 1.



**5.8.83 Reserved -- Index 19h (Bank 0)**

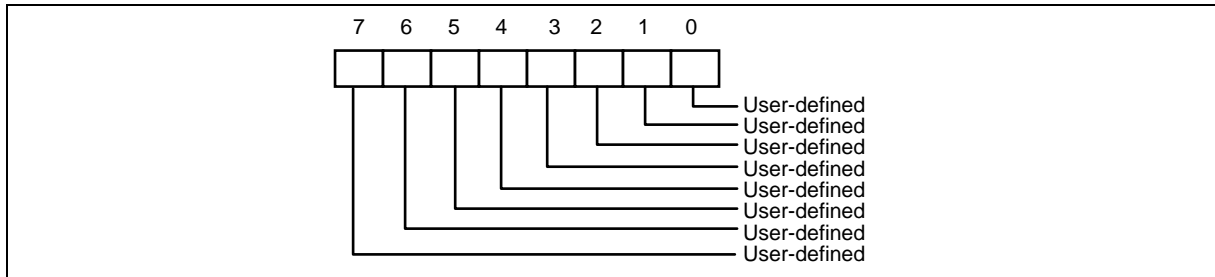
**5.8.84 User Defined Register -- Index 1A- 1Bh (Bank 0)**

Register Location: 1A-1Bh

Power on Default Value FFh

Attribute: Read/Write

Size: 8 bits



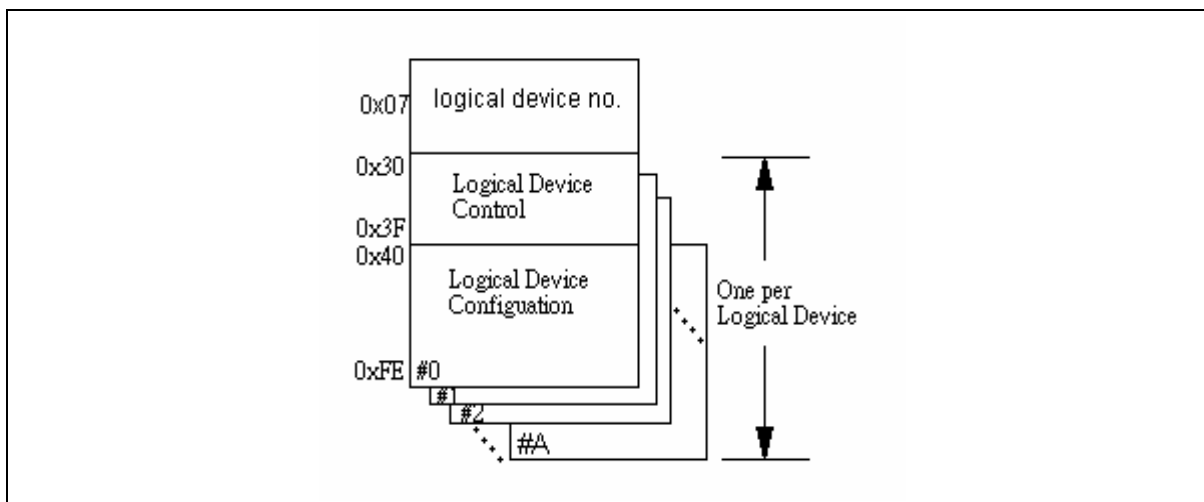
Bit 7-0: User can write any value into these bits and read.

**5.8.85 Reserved Register-- Index 1Ch-1Fh (Bank 0)**



## 6. PLUG AND PLAY CONFIGURATION

The W83627THF uses Compatible PNP protocol to access configuration registers for setting up different types of configurations. In W83627THF, there are eleven Logical Devices (from Logical Device 0 to Logical Device B with the exception of logical device 4 for backward compatibility) which correspond to eleven individual functions: FDC (logical device 0), PRT (logical device 1), UART1 (logical device 2), UART2 (logical device 3), KBC (logical device 5), GPIO,5 (logical device 7), GPIO2 (logical device 8), GPIO3,4 (logical device 9), ACPI ((logical device A), and hardware monitor (logical device B). Each Logical Device has its own configuration registers (above CR30). Host can access those registers by writing an appropriate logical device number into logical device select register at CR7.



### 6.1 Compatible PnP

#### 6.1.1 Extended Function Registers

In Compatible PnP, there are two ways to enter Extended Function and read or write the configuration registers. HEFRAS (CR26 bit 6) can be used to select one out of these two methods of entering the Extended Function mode as follows:

HEFRAS	ADDRESS AND VALUE
0	write 87h to the location 2Eh twice
1	write 87h to the location 4Eh twice

After Power-on reset, the value on RTSA# (pin 43) is latched by HEFRAS of CR26. In Compatible PnP, a specific value (87h) must be written twice to the Extended Functions Enable Register (I/O port address 2Eh or 4Eh). Secondly, an index value (02h, 07h-FFh) must be written to the Extended Functions Index Register (I/O port address 2Eh or 4Eh same as Extended Functions Enable Register) to identify which configuration register is to be accessed. The designer can then access the desired configuration register through the Extended Functions Data Register (I/O port address 2Fh or 4Fh). After programming of the configuration register is finished, an additional value (AAh) should be written to EFERS to exit the Extended Function mode to prevent unintentional access to those configuration





registers. The designer can also set bit 5 of CR26 (LOCKREG) to high to protect the configuration registers against accidental accesses.

The configuration registers can be reset to their default or hardware settings only by a cold reset (pin MR = 1). A warm reset will not affect the configuration registers.

## 6.1.2 Extended Functions Enable Registers (EFERs)

After a power-on reset, the W83627THF enters the default operating mode. Before the W83627THF enters the extended function mode, a specific value must be programmed into the Extended Function Enable Register (EFER) so that the extended function register can be accessed. The Extended Function Enable Registers are write-only registers. On a PC/AT system, their port addresses are 2Eh or 4Eh (as described in previous section).

## 6.1.3 Extended Function Index Registers (EFIRs), Extended Function Data Registers(EFDRs)

After the extended function mode is entered, the Extended Function Index Register (EFIR) must be loaded with an index value (02h, 07h-FEh) to access Configuration Register 0 (CR0), Configuration Register 7 (CR07) to Configuration Register FE (CRFE), and so forth through the Extended Function Data Register (EFDR). The EFIRs are write-only registers with port address 2Eh or 4Eh (as described in section 12.2.1) on PC/AT systems, the EFDRs are read/write registers with port address 2Fh or 4Fh (as described in section 9.2.1) on PC/AT systems.

## 6.2 Configuration Sequence

To program W83627THF configuration registers, the following configuration sequence must be followed:

- (1). Enter the extended function mode
- (2). Configure the configuration registers
- (3). Exit the extended function mode

### 6.2.1 Enter the extended function mode

To place the chip into the extended function mode, two successive writes of 0x87 must be applied to Extended Function Enable Registers(EFERs, i.e. 2Eh or 4Eh).

### 6.2.2 Configuration the configuration registers

The chip selects the logical device and activates the desired logical devices through Extended Function Index Register(EFIR) and Extended Function Data Register(EFDR). EFIR is located at the same address as EFER, and EFDR is located at address (EFIR+1).

First, write the Logical Device Number (i.e.,0x07) to the EFIR and then write the number of the desired logical device to the EFDR. If accessing the Chip(Global) Control Registers, this step is not required.

Secondly, write the address of the desired configuration register within the logical device to the EFIR and then write (or read) the desired configuration register through EFDR.



### 6.2.3 Exit the extended function mode

To exit the extended function mode, one write of 0xAA to EFER is required. Once the chip exits the extended function mode, it is in the normal running mode and is ready to enter the configuration mode.

### 6.2.4 Software programming example

The following example is written in Intel 8086 assembly language. It assumes that the EFER is located at 2Eh, so EFIR is located at 2Eh and EFDR is located at 2Fh. If HEFRAS (CR26 bit 6) is set, 4Eh can be directly replaced by 4Eh and 2Fh replaced by 4Fh.

```

;-----
; Enter the extended function mode ,interruptible double-write |
;-----
MOV    DX,2EH
MOV    AL,87H
OUT    DX,AL
OUT    DX,AL
;-----
; Configuration logical device 1, configuration register CRF0 |
;-----
MOV    DX,2EH
MOV    AL,07H
OUT    DX,AL      ; point to Logical Device Number Reg.
MOV    DX,2FH
MOV    AL,01H
OUT    DX,AL      ; select logical device 1
;
MOV    DX,2EH
MOV    AL,F0H
OUT    DX,AL      ; select CRF0
MOV    DX,2FH
MOV    AL,3CH
OUT    DX,AL      ; update CRF0 with value 3CH
;-----
; Exit extended function mode |
;-----
MOV    DX,2EH
MOV    AL,AAH
OUT    DX,AL

```



## 7. CONFIGURATION REGISTER

### 7.1 Chip (Global) Control Register

#### CR02 (Default 0x00)

Bit 7 - 1 : Reserved.

Bit 0 : SWRST --> Soft Reset.

#### CR07

Bit 7 - 0 : LDNB7 - LDNB0 --> Logical Device Number Bit 7 - 0

#### CR20

Bit 7 - 0 : DEVIDB7 - DEBIDB0 --> Device ID Bit 7 - Bit 0 = 0x82(read only).

#### CR21

Bit 7 - 0 : DEVREVB7 - DEBREVB0 --> Device Rev Bit 7 - Bit 0 = 0x83  
(read only, 1 is version no.).

#### CR22 (Default 0xff)

Bit 7 : RESERVED.

Bit 6 : HMPWD  
= 0 Power down  
= 1 No Power down

Bit 5 : URBPWD  
= 0 Power down  
= 1 No Power down

Bit 4 : URAPWD  
= 0 Power down  
= 1 No Power down

Bit 3 : PRTPWD  
= 0 Power down  
= 1 No Power down

Bit 2 - 1 : Reserved.

Bit 0 : FDCPWD  
= 0 Power down  
= 1 No Power down



## CR23 (Default 0x00)

Bit 7 - 1 : RESERVED.

Bit 0 : IPD (Immediate Power Down). When set to 1, it will put the whole chip into power down mode immediately.

## CR24 (Default 0s110s1sb)

Bit 7 : Reserved

Bit 6 : CLKSEL

= 0 The clock input on Pin 18 should be 24 Mhz.

= 1 The clock input on Pin 18 should be 48 Mhz.

The corresponding power-on setting pin is SOUTB (pin 83).

Bit 5 - 3 : Reserved

Bit 2 : ENKBC

= 0 KBC is disabled after hardware reset.

= 1 KBC is enabled after hardware reset.

This bit is read only, and set/reset by power-on setting pin. The corresponding power-on setting pin is SOUTA (pin 54).

Bit 1 : Reserved. Must be 1.

Bit 0 : PNPCSV

= 0 The Compatible PnP address select registers have default values.

= 1 The Compatible PnP address select registers have no default value.

When trying to make a change to this bit, new value of PNPCSV must be complementary to the old one to make an effective change. For example, the user must set PNPCSV to 0 first and then reset it to 1 to reset these PnP registers if the present value of PNPCSV is 1. The corresponding power-on setting pin is NDTRA (pin 52).

## CR25 (Default 0x00)

Bit 7 - 6 : Reserved

Bit 5 : URBTRI

Bit 4 : URATRI

Bit 3 : PRTTRI

Bit 2 - 1 : Reserved

Bit 0 : FDCTRI.



## CR26 (Default 0s000000b)

- Bit 7 : SEL4FDD
  - = 0 Select two FDD mode.
  - = 1 Select four FDD mode.
- Bit 6 : HEFRAS

These two bits define how to enable Configuration mode. The corresponding power-on setting pin is NRTSA (pin 51).

HEFRAS Address and Value

  - = 0 Write 87h to the location 2Eh twice.
  - = 1 Write 87h to the location 4Eh twice.
- Bit 5 : LOCKREG
  - = 0 Enable R/W Configuration Registers
  - = 1 Disable R/W Configuration Registers.
- Bit 4 : Reserved
- Bit 3 : DSFDLGRQ
  - = 0 Enable FDC legacy mode on IRQ and DRQ selection, then DO register bit 3 is effective on selecting IRQ
  - = 1 Disable FDC legacy mode on IRQ and DRQ selection, then DO register bit 3 is not effective on selecting IRQ
- Bit 2 : DSPRLGRQ
  - = 0 Enable PRT legacy mode on IRQ and DRQ selection, then DCR bit 4 is effective on selecting IRQ
  - = 1 Disable PRT legacy mode on IRQ and DRQ selection, then DCR bit 4 is not effective on selecting IRQ.
- Bit 1 : DSUALGRQ
  - = 0 Enable UART A legacy mode IRQ selecting, then MCR bit 3 is effective on selecting IRQ.
  - = 1 Disable UART A legacy mode IRQ selecting, then MCR bit 3 is not effective on selecting IRQ.
- Bit 0 : DSUBLGRQ
  - = 0 Enable UART B legacy mode IRQ selecting, then MCR bit 3 is effective on selecting IRQ
  - = 1 Disable UART B legacy mode IRQ selecting, then MCR bit 3 is not effective on selecting IRQ

## CR28 (Default 0x00)

- Bit 7 - 3 : Reserved.
- Bit 2 - 0 : PRTMODS2 - PRTMODS0
  - = 0xx Parallel Port Mode
  - = 100 Reserved
  - = 101 External FDC Mode
  - = 110 Reserved
  - = 111 External two FDC Mode

## W83627THF/W83627THG



### CR29 (GPIO Group 1 multiplexed pin selection register 1. VCC powered. Default 0x00)

- Bit 7, 6 Port Select (select pin 121 ~ 128 as Game Port, General Purpose I/O Port 1 decoding feature.
  - = 00 Game Port.
  - = 01 General Purpose I/O Port 1.
  - = 10 Reserved.
  - = 11 Reserved.
- Bit 5 PIN105S.
  - = 0 GP55
  - = 1 Winbond Test Mode
- Bit 4 XUR\_SEL. It selects the function of pin 78 ~ 85.
  - = 0 Pin 78 ~ 85 serve as URB function.
  - = 1 Winbond Test Mode
- Bit 3 - 2 Reserved.
- Bit 1, 0 PIN120S1, PIN120S0
  - = 00 MSO (MIDI Serial Output).
  - = 01 GP20
  - = 10 Reserved
  - = 11 IRQIN0 (select IRQ resource through CRF4 Bit 7-4 of Logical Device 8).

### CR2A (GPIO2 multiplexed pin selection register. VCC powered. Default 0x00)

- Bit 7, 6 PIN119S1, PIN119S0.
  - = 00 MSI.
  - = 01 GP21.
  - = 10 Winbond Test Mode
  - = 11 Reserved.
- Bit 5 PIN118S.
  - = 0 GP22.
  - = 1 Winbond Test Mode
- Bit 4 PIN96S.
  - = 0 GP23.
  - = 1 Winbond Test Mode .
- Bit 3 PIN95S.
  - = 0 GP24.
  - = 1 Winbond Test Mode
- Bit 2 PIN94S.
  - = 0 GP25.
  - = 1 Winbond Test Mode.
- Bit 1 PIN93S.
  - = 0 GP26.
  - = 1 Winbond Test Mode
- Bit 0 PIN2S
  - = 0 SMI#.
  - = 1 IRQIN1 (select IRQ resource through CRF4 Bit 7-4 of Logical Device8).

## W83627THF/W83627THG



### **CR2B (GPIO3 multiplexed pin selection register 3. VSB powered. Default 0x00ssssssb)**

- Bit 7     Reserved
- Bit 6     PIN86S.
  - = 0 GP35.
  - = 1 Winbond Test Mode
- Bit 5, 4   PIN88S1, PIN88S0.
  - = 00 IRRX.
  - = 01 GP34.
  - = 10 Winbond Test Mode
  - = 11 Reserved
- Bit 3, 2   PIN89S1, PIN89S0.
  - = 00 GP33.
  - = 01 WDTO.
  - = 10 Reserved
  - = 11 Reserved
- Bit 1, 0   PIN90S1, PIN90S0.
  - = 00 GP32.
  - = 01 PLED.
  - = 10 Reserved.
  - = 11 Reserved.

### **CR2C (GPIO3 multiplexed pin selection register 2. VSB powered. Default 0xssssss00b)**

- Bit 7, 6   : PIN91S1, PIN91S0.
  - = 00 GP31.
  - = 01 Reserved.
  - = 10 Reserved.
  - = 11 Reserved
- Bit 5, 4   : PIN92S1, PIN92S0.
  - = 00 GP30.
  - = 01 Reserved.
  - = 10 Reserved.
  - = 11 Reserved
- Bit 3, 2   : PIN64S1, PIN64S0.
  - = 00 SUSLED.
  - = 01 GP37.
  - = 10 Reserved.
  - = 11 Reserved.
- Bit 1       : PIN87S.
  - = 0 IRTX.
  - = 1 Winbond Test Mode.
- Bit 0       : Reserved.

## W83627THF/W83627THG



**CR2D (GPIO4 multiplexed pin selection register. VSB powered. Default 0x00s00000b)**

- Bit 7 : PIN67S.  
= 0 PSOUT#.  
= 1 GP47.
- Bit 6 : PIN68S.  
= 0 PSIN.  
= 1 GP46.
- Bit 5 : PIN69S.  
= 0 GP45.  
= 1 Reserved.
- Bit 4 : PIN70S.  
= 0 RSMRST#.  
= 1 GP44.
- Bit 3 : PIN71S.  
= 0 PWROK.  
= 1 GP43.
- Bit 2 : PIN72S.  
= 0 PWRCTL#.  
= 1 GP42.
- Bit 1 : PIN73S.  
= 0 SLP\_SX#.  
= 1 GP41.
- Bit 0 : PIN75S.  
= 0 GP40  
= 1 Winbond Test Mode

**CR2E (Default 0x00)**

Test Modes: Reserved for Winbond.

**CR2F (Default 0x00)**

Test Modes: Reserved for Winbond.

### 7.1.1 Logical Device 0 (FDC)

**CR30 (Default 0x01 if PNPCSV = 0 during POR, default 0x00 otherwise)**

- Bit 7 - 1 : Reserved.
- Bit 0 = 1 Activates the logical device.  
= 0 Logical device is inactive.

**CR60, CR 61 (Default 0x03, 0xf0 if PNPCSV = 0 during POR, default 0x00, 0x00 otherwise)**

These two registers select FDC I/O base address [0x100:0xFF8] on 8 byte boundary.





## **CR70 (Default 0x06 if PNPCSV = 0 during POR, default 0x00 otherwise)**

Bit 7 - 4 : Reserved.

Bit 3 - 0 : These bits select IRQ resource for FDC.

## **CR74 (Default 0x02 if PNPCSV = 0 during POR, default 0x04 otherwise)**

Bit 7 - 3 : Reserved.

Bit 2 - 0 : These bits select DRQ resource for FDC.

= 0x00 DMA0

= 0x01 DMA1

= 0x02 DMA2

= 0x03 DMA3

= 0x04 - 0x07 No DMA active

## **CRF0 (Default 0x0E)**

### **FDD Mode Register**

Bit 7 : FIPURDWN

This bit controls the internal pull-up resistors of the FDC input pins RDATA, INDEX, TRAK0, DSKCHG, and WP.

= 0 The internal pull-up resistors of FDC are turned on.(Default)

= 1 The internal pull-up resistors of FDC are turned off.

Bit 6 : INVERTZ

This bit determines the polarity of all FDD interface signals.

= 0 FDD interface signals are active low.

= 1 FDD interface signals are active high.

Bit 5 : DRV2EN (PS2 mode only)

When this bit is a logic 0, indicates a second drive is installed and is reflected in status register A.

Bit 4 : Swap Drive 0, 1 Mode

= 0 No Swap (Default)

= 1 Drive and Motor select 0 and 1 are swapped.

Bit 3 - 2 :Interface Mode

= 11 AT Mode (Default)

= 10 (Reserved)

= 01 PS/2

= 00 Model 30

Bit 1 : FDC DMA Mode

= 0 Burst Mode is enabled

= 1 Non-Burst Mode (Default)

Bit 0 : Floppy Mode

= 0 Normal Floppy Mode (Default)

= 1 Enhanced 3-mode FDD



## CRF1 (Default 0x00)

- Bit 7 - 6 : Boot Floppy
  - = 00 FDD A
  - = 01 FDD B
  - = 10 FDD C
  - = 11 FDD D
- Bit 5, 4 : Media ID1, Media ID0. These bits will be reflected on FDC's Tape Drive Register bit 7, 6.
- Bit 3 - 2 : Density Select
  - = 00 Normal (Default)
  - = 01 Normal
  - = 10 1 (Forced to logic 1)
  - = 11 0 (Forced to logic 0)
- Bit 1 : DISFDDWR
  - = 0 Enable FDD write.
  - = 1 Disable FDD write(forces pins WE, WD stay high).
- Bit 0 : SWWP
  - = 0 Normal, use WP to determine whether the FDD is write protected or not.
  - = 1 FDD is always write-protected.

## CRF2 (Default 0xFF)

- Bit 7 - 6 : FDD D Drive Type
- Bit 5 - 4 : FDD C Drive Type
- Bit 3 - 2 : FDD B Drive Type
- Bit 1 - 0 : FDD A Drive Type

## CRF4 (Default 0x00)

### FDD0 Selection:

- Bit 7 : Reserved.
- Bit 6 : Pre-comp. Disable.
  - = 1 Disable FDC Pre-compensation.
  - = 0 Enable FDC Pre-compensation.
- Bit 5 : Reserved.
- Bit 4 - 3 : DRTS1, DRTS0: Data Rate Table select (Refer to TABLE A).
  - = 00 Select Regular drives and 2.88 format
  - = 01 3-mode drive
  - = 10 2 Meg Tape
  - = 11 Reserved
- Bit 2 : Reserved.
- Bit 1:0 : DTYPE0, DTYPE1: Drive Type select (Refer to TABLE B).

# W83627THF/W83627THG



CRF5 (Default 0x00)

FDD1 Selection: Same as FDD0 of CRF4.

**TABLE A**

DRIVE RATE TABLE SELECT		DATA RATE		SELECTED DATA RATE		SELDEN
DRTS1	DRTS0	DRATE1	DRATE0	MFM	FM	
0	0	1	1	1Meg	---	1
		0	0	500K	250K	1
		0	1	300K	150K	0
		1	0	250K	125K	0
0	1	1	1	1Meg	---	1
		0	0	500K	250K	1
		0	1	500K	250K	0
		1	0	250K	125K	0
1	0	1	1	1Meg	---	1
		0	0	500K	250K	1
		0	1	2Meg	---	0
		1	0	250K	125K	0

**TABLE B**

DTYPE0	DTYPE1	DRV DEN0(PIN 2)	DRV DEN1(PIN 3)	DRIVE TYPE
0	0	SELDEN	DRATE0	4/2/1 MB 3.5" 2/1 MB 5.25" 2/1.6/1 MB 3.5" (3-MODE)
0	1	DRATE1	DRATE0	
1	0	$\overline{\text{SELDEN}}$	DRATE0	
1	1	DRATE0	DRATE1	



## 7.1.2 Logical Device 1 (Parallel Port)

### CR30 (Default 0x01 if PNPCSV = 0 during POR, default 0x00 otherwise)

Bit 7 - 1 : Reserved.

Bit 0 = 1 Activates the logical device.

= 0 Logical device is inactive.

### CR60, CR 61 (Default 0x03, 0x78 if PNPCSV = 0 during POR, default 0x00, 0x00 otherwise)

These two registers select Parallel Port I/O base address.

[0x100:0xFFC] on 4 byte boundary (EPP not supported) or

[0x100:0xFF8] on 8 byte boundary (All modes supported, EPP is only available when the base address is on 8 byte boundary).

### CR70 (Default 0x07 if PNPCSV = 0 during POR, default 0x00 otherwise)

Bit 7 - 4 : Reserved.

Bit [3:0] : These bits select IRQ resource for Parallel Port.

### CR74 (Default 0x04)

Bit 7 - 3 : Reserved.

Bit 2 - 0 : These bits select DRQ resource for Parallel Port.

0x00 = DMA0

0x01 = DMA1

0x02 = DMA2

0x03 = DMA3

0x04 - 0x07 = No DMA active

### CRF0 (Default 0x3F)

Bit 7 : Reserved.

Bit 6 - 3 : ECP FIFO Threshold.

Bit 2 - 0 : Parallel Port Mode (CR28 PRTMODS2 = 0)

= 100 Printer Mode (Default)

= 000 Standard and Bi-direction (SPP) mode

= 001 EPP - 1.9 and SPP mode

= 101 EPP - 1.7 and SPP mode

= 010 ECP mode

= 011 ECP and EPP - 1.9 mode

= 111 ECP and EPP - 1.7 mode.



**7.1.3 Logical Device 2 (UART A)**

**CR30 (Default 0x01 if PNPCSV = 0 during POR, default 0x00 otherwise)**

Bit 7 - 1 : Reserved.

Bit 0 = 1 Activates the logical device.

= 0 Logical device is inactive.

**CR60, CR 61 (Default 0x03, 0xF8 if PNPCSV = 0 during POR, default 0x00, 0x00 otherwise)**

These two registers select Serial Port 1 I/O base address [0x100:0xFF8] on 8 byte boundary.

**CR70 (Default 0x04 if PNPCSV = 0 during POR, default 0x00 otherwise)**

Bit 7 - 4 : Reserved.

Bit 3 - 0 : These bits select IRQ resource for Serial Port 1.

**CRF0 (Default 0x00)**

Bit 7 - 2 : Reserved.

Bit 1 - 0 : SUACLKB1, SUACLKB0

= 00 UART A clock source is 1.8462 Mhz (24MHz/13)

= 01 UART A clock source is 2 Mhz (24MHz/12)

= 10 UART A clock source is 24 Mhz (24MHz/1)

= 11 UART A clock source is 14.769 Mhz (24mhz/1.625)



## 7.1.4 Logical Device 3 (UART B)

### CR30 (Default 0x01 if PNPCSV = 0 during POR, default 0x00 otherwise)

- Bit 7 - 1 : Reserved.
- Bit 0 = 1 Activates the logical device.
- = 0 Logical device is inactive.

### CR60, CR 61 (Default 0x02, 0xF8 if PNPCSV = 0 during POR, default 0x00, 0x00 otherwise)

These two registers select Serial Port 2 I/O base address [0x100:0xFF8] on 8 byte boundary.

### CR70 (Default 0x03 if PNPCSV = 0 during POR, default 0x00 otherwise)

- Bit 7 - 4 : Reserved.
- Bit [3:0] : These bits select IRQ resource for Serial Port 2.

### CRF0 (Default 0x00)

- Bit 7 - 4 : Reserved.
- Bit 3 : RXW4C
  - = 0 No reception delay when SIR is changed from TX mode to RX mode.
  - = 1 Reception delays 4 characters - time (40 bit-time) when SIR is changed from TX mode to RX mode.
- Bit 2 : TXW4C
  - = 0 No transmission delay when SIR is changed from RX mode to TX mode.
  - = 1 Transmission delays 4 characters-time (40 bit-time) when SIR is changed from RX mode to TX mode.
- Bit 1 - 0 : SUBCLKB1, SUBCLKB0
  - = 00 UART B clock source is 1.8462 Mhz (24MHz/13)
  - = 01 UART B clock source is 2 Mhz (24MHz/12)
  - = 10 UART B clock source is 24 Mhz (24MHz/1)
  - = 11 UART B clock source is 14.769 Mhz (24mhz/1.625)

### CRF1 (Default 0x00)

- Bit 7 : Reserved.
- Bit 6 : IRLOCSEL. IR I/O pins' location select.
  - = 0 Through SINB/SOUTB.
  - = 1 Through IRRX/IRTX.
- Bit 5 : IRMODE2. IR function mode selection bit 2.
- Bit 4 : IRMODE1. IR function mode selection bit 1.
- Bit 3 : IRMODE0. IR function mode selection bit 0.

# W83627THF/W83627THG



IR MODE	IR FUNCTION	IRTX	IRRX
00X	Disable	tri-state	high
010*	IrDA	Active pulse 1.6 $\mu$ S	Demodulation into SINB/IRRX
011*	IrDA	Active pulse 3/16 bit time	Demodulation into SINB/IRRX
100	ASK-IR	Inverting IRTX/SOUTB pin	routed to SINB/IRRX
101	ASK-IR	Inverting IRTX/SOUTB & 500 KHZ clock	routed to SINB/IRRX
110	ASK-IR	Inverting IRTX/SOUTB	Demodulation into SINB/IRRX
111*	ASK-IR	Inverting IRTX/SOUTB & 500 KHZ clock	Demodulation into SINB/IRRX

**Note:** The notation is normal mode in the IR function.

Bit 2 : HDUPLX. IR half/full duplex function select.

= 0 The IR function is Full Duplex.

= 1 The IR function is Half Duplex.

Bit 1 : TX2INV

= 0 The SOUTB pin of UART B function or IRTX pin of IR function in normal condition.

= 1 Inverse the SOUTB pin of UART B function or IRTX pin of IR function.

Bit 0 : RX2INV.

= 0 The SINB pin of UART B function or IRRX pin of IR function in normal condition.

= 1 Inverse the SINB pin of UART B function or IRRX pin of IR function



## 7.1.5 Logical Device 5 (KBC)

**CR30 (Default 0x01 if PNPCSV = 0 during POR, default 0x00 otherwise)**

Bit 7 - 1 : Reserved.

Bit 0 = 1 Activates the logical device.

= 0 Logical device is inactive.

**CR60, CR 61 (Default 0x00, 0x60 if PNPCSV = 0 during POR, default 0x00 otherwise)**

These two registers select the first KBC I/O base address [0x100:0xFFFF] on 1 byte boundary.

**CR62, CR 63 (Default 0x00, 0x64 if PNPCSV = 0 during POR, default 0x00 otherwise)**

These two registers select the second KBC I/O base address [0x100:0xFFFF] on 1 byte boundary.

**CR70 (Default 0x01 if PNPCSV = 0 during POR, default 0x00 otherwise)**

Bit 7 - 4 : Reserved.

Bit [3:0] : These bits select IRQ resource for KINT (keyboard).

**CR72 (Default 0x0C if PNPCSV = 0 during POR, default 0x00 otherwise)**

Bit 7 - 4 : Reserved.

Bit [3:0] : These bits select IRQ resource for MINT (PS2 Mouse)

**CRF0 (Default 0x80)**

Bit 7 - 6 : KBC clock rate selection

= 00 Select 6MHz as KBC clock input.

= 01 Select 8MHz as KBC clock input.

= 10 Select 12Mhz as KBC clock input.

= 11 Select 16Mhz as KBC clock input.

Bit 5 - 3 : Reserved.

Bit 2 = 0 Port 92 disable.

= 1 Port 92 enable.

Bit 1 = 0 Gate20 software control.

= 1 Gate20 hardware speed up.

Bit 0 = 0 KBRST software control.

= 1 KBRST hardware speed up.





## 7.1.6 Logical Device 7 (Game Port and MIDI Port and GPIO Port 1 and 5)

### CR30 (Default 0x00)

Bit 7 - 4 : Reserved.

Bit 3 = 1 Enable GPIO port 5.

= 0 Disable GPIO port 5.

Bit 2 = 1 Enable MIDI Port.

= 0 MIDI Port is disabled if bit 0 of this register is also 0.

Bit 1 = 1 Enable game Port.

= 0 Game Port is disabled if bit 0 of this register is also 0.

Bit 0 = 1 Enable GPIO port 1, game Port and MIDI Port.

= 0 Disable GPIO port 1. Game Port and MIDI Port are enabled/disabled by bit 1 and 2 of this register respectively.

### CR60, CR 61 (Default 0x02, 0x01 if PNPCSV = 0 during POR, default 0x00 otherwise)

These two registers select the Game Port base address [0x100:0xFFFF] on 1 byte boundary.

### CR62, CR 63 (Default 0x03, 0x30 if PNPCSV = 0 during POR, default 0x00 otherwise)

These two registers select the MIDI Port base address [0x100:0xFFFF] on 2 byte boundary.

### CR70 (Default 0x09 if PNPCSV = 0 during POR, default 0x00 otherwise)

Bit 7 - 4 : Reserved.

Bit [3:0] : These bits select IRQ resource for MIDI Port .

### CRF0 (GP1[7:0] I/O selection register. Default 0xFF)

When set to a '1', respective GPIO port is programmed as an input port.

When set to a '0', respective GPIO port is programmed as an output port.

### CRF1 (GP1[7:0] data register. Default 0x00)

If a port is programmed to be an output port, then its respective bit can be read/written.

If a port is programmed to be an input port, then its respective bit can only be read.

### CRF2 (GP1[7:0] inversion register. Default 0x00)

When set to a '1', the incoming/outgoing port value is inverted.

When set to a '0', the incoming/outgoing port value is the same as in data register.



## **CRF3 (GP5[5:0] I/O selection register. Default 0xFF)**

When set to a '1', respective GPIO port is programmed as an input port.

When set to a '0', respective GPIO port is programmed as an output port.

## **CRF4 (GP5[5:0] data register. Default 0x00)**

If a port is programmed to be an output port, then its respective bit can be read/written.

If a port is programmed to be an input port, then its respective bit can only be read.

## **CRF5 (GP5[5:0] inversion register. Default 0x00)**

When set to a '1', the incoming/outgoing port value is inverted.

When set to a '0', the incoming/outgoing port value is the same as in data register.

## **7.1.7 Logical Device 8 (GPIO Port 2 This power of the Port is VCC source)**

### **CR30 (GP2[7:0] Default 0x00)**

Bit 7 - 1 : Reserved.

Bit 0 = 1 Activate GPIO2.

= 0 GPIO2 is inactive.

## **CRF0 (GP2[7:0] I/O selection register. Default 0xFF)**

When set to a '1', respective GPIO port is programmed as an input port.

When set to a '0', respective GPIO port is programmed as an output port.

## **CRF1 (GP2[7:0] data register. Default 0x00)**

If a port is programmed to be an output port, then its respective bit can be read/written.

If a port is programmed to be an input port, then its respective bit can only be read.

## **CRF2 (GP2[7:0] inversion register. Default 0x00)**

When set to a '1', the incoming/outgoing port value is inverted.

When set to a '0', the incoming/outgoing port value is the same as in data register.

## **CRF3 (Default 0x00)**

Bit 7 - 4 : These bits select IRQ resource for IRQIN1.

Bit 3 - 0 : These bits select IRQ resource for IRQIN0.



## CRF4 (Reserved)

### CRF5 (PLED mode register. Default 0x00)

- Bit 7-6 : Select PLED mode
  - = 00 Power LED pin is tri-stated.
  - = 01 Power LED pin is driven low.
  - = 10 Power LED pin is a 1Hz toggle pulse with 50 duty cycle
  - = 11 Power LED pin is a 1/4Hz toggle pulse with 50 duty cycle.
- Bit 5-4 : Reserved
- Bit 3 : Select WDTO counter type.
  - = 0 By second
  - = 1 By minute
- Bit 2 : Enable the rising edge of keyboard Reset (P20) to force Time-out event.
  - = 0 Disable
  - = 1 Enable
- Bit 1-0 : Reserved

### CRF6 (Default 0x00)

Watch Dog Timer Time-out value. Writing a non-zero value to this register causes the counter to load the value to Watch Dog Counter and start counting down. If the Bit 7 and Bit 6 are set, any Mouse Interrupt or Keyboard Interrupt event will also cause the reload of previously-loaded non-zero value to Watch Dog Counter and start counting down. Reading this register returns current value in Watch Dog Counter instead of Watch Dog Timer Time-out value.

- Bit 7 - 0 = 0x00 Time-out Disable
  - = 0x01 Time-out occurs after 1 second/minute
  - = 0x02 Time-out occurs after 2 second/minutes
  - = 0x03 Time-out occurs after 3 second/minutes
  - .....
  - = 0xFF Time-out occurs after 255 second/minutes

### CRF7 (Default 0x00)

- Bit 7 : Mouse interrupt reset Enable or Disable
  - = 1 Watch Dog Timer is reset upon a Mouse interrupt
  - = 0 Watch Dog Timer is not affected by Mouse interrupt
- Bit 6 : Keyboard interrupt reset Enable or Disable
  - = 1 Watch Dog Timer is reset upon a Keyboard interrupt
  - = 0 Watch Dog Timer is not affected by Keyboard interrupt
- Bit 5 : Force Watch Dog Timer Time-out, Write only\*
  - = 1 Force Watch Dog Timer time-out event; this bit is self-clearing.
- Bit 4 : Watch Dog Timer Status, R/W
  - = 1 Watch Dog Timer time-out occurred
  - = 0 Watch Dog Timer counting
- Bit 3 -0 : These bits select IRQ resource for Watch Dog. Setting of 2 selects SMI.



## 7.1.8 Logical Device 9 (GPIO Port 3, 4. These two ports are powered by VSB)

### CR30 (Default 0x00)

- Bit 7 - 2 : Reserved
- Bit 1 = 1 Activate GPIO4.  
= 0 GPIO4 is inactive.
- Bit 0 = 1 Activate GPIO3.  
= 0 GPIO3 is inactive.

### CRF0 (GP3[7:0] I/O selection register. Default 0xFF)

When set to a '1', respective GPIO port is programmed as an input port.

When set to a '0', respective GPIO port is programmed as an output port.

### CRF1 (GP3[7:0] data register. Default 0x00)

If a port is programmed to be an output port, then its respective bit can be read/written.

If a port is programmed to be an input port, then its respective bit can only be read.

### CRF2 (GP3[7:0] inversion register. Default 0x00)

When set to a '1', the incoming/outgoing port value is inverted.

When set to a '0', the incoming/outgoing port value is the same as in data register.

### CRF3 (SUSLED mode register. Default 0x00)

- Bit 7-6 : Select Suspend LED mode
  - = 00 Suspend LED pin is drove low.
  - = 01 Suspend LED pin is tri-stated.
  - = 10 Suspend LED pin is a 1Hz toggle pulse with 50 duty cycle.
  - = 11 Suspend LED pin is a 1/4Hz toggle pulse with 50 duty cycle.

This mode selection bit 7-6 keep its settings until VSB power loss.

- Bit 5 - 0 : Reserved.

### CRF4 (GP4[7:0] I/O selection register. Default 0xFF)

When set to a '1', respective GPIO port is programmed as an input port.

When set to a '0', respective GPIO port is programmed as an output port.

### CRF5 (GP4[7:0] data register. Default 0x00)

If a port is programmed to be an output port, then its respective bit can be read/written.

If a port is programmed to be an input port, then its respective bit can only be read.



## CRF6 (GP4[7:0] inversion register. Default 0x00)

When set to a '1', the incoming/outgoing port value is inverted.

When set to a '0', the incoming/outgoing port value is the same as in data register.

## 7.2 Logical Device A (ACPI)

(The CR30,70,F0~F9 are VCC power source; CR E0~E7 are VRTC power source)

### CR30 (Default 0x00)

Bit 7 - 1 : Reserved.

Bit 0 = 1 Activates the logical device.

= 0 Logical device is inactive.

### CR70 (Default 0x00)

Bit 7 - 4 : Reserved.

Bit 3 - 0 : These bits select IRQ resources for  $\overline{\text{PME}}$ .

### CRE0 (Default 0x00)

Bit 7 : DIS-PANSW\_IN. Disable panel switch input to turn system power supply on.

= 0 PANSW\_IN is wire-ANDed and connected to PANSW\_OUT.

= 1 PANSW\_IN is blocked and can not affect PANSW\_OUT.

Bit 6 : ENKBWAKEUP. Enable Keyboard to wake-up system via PANSW\_OUT.

= 0 Disable Keyboard wake-up function.

= 1 Enable Keyboard wake-up function.

Bit 5 : ENMSWAKEUP. Enable Mouse to wake-up system via PANSW\_OUT.

= 0 Disable Mouse wake-up function.

= 1 Enable Mouse wake-up function.

Bit 4 : MSRKEY.

This bit combining with MSXKEY (bit 1 of CRE0 of logical device A) and ENMDAT\_UP (bit 7 of CRE6 of logical device A) define what kind of mouse wake-up event can trigger an active low pulse on PSOUT#. Their combination is described in the following table.

ENMDAT_UP	MSRKEY	MSXKEY	WAKE UP EVENT
1	x	1	Any button click or any movement
1	x	0	one click of left/right button
0	0	1	one click of left button
0	1	1	one click of right button
0	0	0	two times click of left button
0	1	0	two times click of right button

Bit 3 Reserved

Bit 2 : KB/MS Swap. Enable Keyboard/Mouse port-swap.

= 0 Keyboard/Mouse ports are not swapped.

= 1 Keyboard/Mouse ports are swapped.



Bit 1 : MSXKEY.

This bit combining with MSRKEY (bit 4 of CRE0 of logical device A) and ENMDAT\_UP (bit 7 of CRE6 of logical device A) define what kind of mouse wake-up event can trigger an active low pulse on PSOUT#. Their combination is described in the following table.

ENMDAT_UP	MSRKEY	MSXKEY	WAKE UP EVENT
1	x	1	Any button click or any movement
1	x	0	one click of left/right button
0	0	1	one click of left button
0	1	1	one click of right button
0	0	0	two times click of left button
0	1	0	two times click of right button

Bit 0 : KBXKEY. Enable any character received from Keyboard to wake-up the system

= 0 Only predetermined specific key combination can wake up the system.

= 1 Any character received from Keyboard can wake up the system.

#### CRE1 (Default 0x00) Keyboard Wake-Up Index Register

This register is used to indicate which Keyboard Wake-Up Shift register or Predetermined key Register is to be read/written via CRE2. The first set of wake up key combination is in the range of 0x00 - 0x0E, the second set 0x30 – 0x3E, and the third set 0x40 – 0x4E. Incoming key combination can be read through 0x10 – 0x1E.

#### CRE2 Keyboard Wake-Up Data Register

This register holds the value of wake-up key register indicated by CRE1. This register can be read/written.

#### CRE3 (Read only) Keyboard/Mouse Wake-Up Status Register

Bit 7-5 : Reserved.

Bit 4 : PWRLOSS\_STS: This bit is set when power loss occurs.

Bit 3 Reserved

Bit 2 : PANSW\_STS. The Panel switch event is caused by PANSW\_IN. This bit is cleared by reading this register.

Bit 1 : Mouse\_STS. The Panel switch event is caused by Mouse wake-up event. This bit is cleared by reading this register.

Bit 0 : Keyboard\_STS. The Panel switch event is caused by Keyboard wake-up event. This bit is cleared by reading this register.



## CRE4 (Default 0x00)

- Bit 7 : Power loss control bit 2.  
= 0 Disable ACPI resume  
= 1 Enable ACPI resume
- Bit 6-5 : Power loss control bit <1:0>  
= 00 System always turn off when come back from power loss state.  
= 01 System always turn on when come back from power loss state.  
= 10 System turn on/off when come back from power loss state depend on the state before power loss.  
= 11 Reserved.
- Bit 4 : Reserved
- Bit 3 : Keyboard wake-up type select for wake-up the system from S1/S2.  
= 0 LA.CRE0.bit0 determines how system wake up from S1/S2.  
= 1 Any key.
- Bit 2 : Enable all wake-up event set in CRE0 can wake-up the system from S1/S2 state. This bit is cleared when wake-up event occurs.  
= 0 Disable.  
= 1 Enable.
- Bit 1 - 0 : Reserved. Must be 00b.

## CRE5 (Default 0x00)

- Bit 7 : Reserved.
- Bit 6 - 0 : Compared Code Length. When the compared codes are storied in the data register, these data length should be written to this register.

## CRE6 (Default 0x00)

- Bit 7 ENMDAT\_UP. This bit combining with MSRKEY (bit 4 of CRE0 of logical device A) and MSXKEY (bit 1 of CRE0 of logical device A) define what kind of mouse wake-up event can trigger an active low pulse on PSOUT#. Their combination is described in the following table.

ENMDAT_UP	MSRKEY	MSXKEY	WAKE UP EVENT
1	x	1	Any button click or any movement
1	x	0	one click of left/right button
0	0	1	one click of left button
0	1	1	one click of right button
0	0	0	two times click of left button
0	1	0	two times click of right button

- Bit6 Chassis Status Clear  
= 1 Clear CASEOPEN# (Pin76) event.  
= 0 Disable Clear Function.
- Bit 5 - 0 Reserved



## CRE7 (Default 0x00)

- Bit 7 ENKD3. Enable the third set of keyboard wake-up key combinations. Its values are accessed through keyboard wake-up index register (CRE1 of logical device A) and keyboard wake-up data register (CRE2 of logical device A) at index from 40h to 4eh.
  - = 0 disable wake-up function of the third set of key combinations.
  - = 1 enable wake-up function of the third set of key combinations.
- Bit 6 ENKD2. Enable the second set of keyboard wake-up key combinations. Its values are accessed through keyboard wake-up index register (CRE1 of logical device A) and keyboard wake-up data register (CRE2 of logical device A) at index from 30h to 3eh.
  - = 0 disable wake-up function of the second set of key combinations.
  - = 1 enable wake-up function of the second set of key combinations.
- Bit 5 ENWIN98KEY. Enable WIN98 keyboard dedicated key to wake up system through PANSW\_OUT if keyboard wake up function is enabled.
  - = 0 Disable WIN98 keyboard wake up.
  - = 1 Enable WIN98 keyboard wake up.
- Bit 4 EN\_ONPSOUT. Enable to issue a 0.5s long PSOUT# pulse when system returns from power loss state and is supposed to be on as described in CRE4 bit 6, 5 of logical device A.
  - = 0 Disable this function for Intel's Chipset.
  - = 1 Enable this function for Clone's chipset.
- Bit 3 SELWDTORST: Select whether Watch Dog timer function is reset by LRESET\_L signal or PWROK signal.
  - =0 Watch Dog timer function is reset by LRESET\_L signal.
  - =1 Watch Dog timer function is reset by PWROK signal.
- Bit 2 Reserved
- Bit 1 Reserved
- Bit 0 Reserved





## CRF0 (Default 0x00)

- Bit 7 : CHIPPME. Chip level auto power management enable.  
= 0 disable the auto power management functions  
= 1 enable the auto power management functions.
- Bit 6 Reserved
- Bit 5 : MIDIPME. MIDI port auto power management enable.  
= 0 disable the auto power management functions  
= 1 enable the auto power management functions.
- Bit 4 : Reserved. Return zero when read.
- Bit 3 : PRTPME. Printer port auto power management enable.  
= 0 disable the auto power management functions.  
= 1 enable the auto power management functions.
- Bit 2 : FDCPME. FDC auto power management enable.  
= 0 disable the auto power management functions.  
= 1 enable the auto power management functions.
- Bit 1 : URAPME. UART A auto power management enable.  
= 0 disable the auto power management functions.  
= 1 enable the auto power management functions.
- Bit 0 : URBPME. UART B auto power management enable.  
= 0 disable the auto power management functions.  
= 1 enable the auto power management functions.

## CRF1 (Default 0x00)

- Bit 7 : WAK\_STS. This bit is set when the chip is in the sleeping state and an enabled resume event occurs. Upon setting this bit, the sleeping/working state machine will transition the system to the working state. This bit is only set by hardware and is cleared by writing a 1 to this bit position or by the sleeping/working state machine automatically when the global standby timer expires.  
= 0 the chip is in the sleeping state.  
= 1 the chip is in the working state.
- Bit 6 - 5 : Devices' trap status.
- Bit 4 : Reserved. Return zero when read.
- Bit 3 - 0 : Devices' trap status.



## CRF3 (Default 0x00)

Bit 7 - 0 : Device's IRQ status.

These bits indicate the IRQ status of the individual device respectively. The device's IRQ status bit is set by their source device and is cleared by writing a 1. Writing a 0 has no effect.

Bit 7 : Reserved.

Bit 6 : Reserved.

Bit 5 : MOUIRQSTS. MOUSE IRQ status.

Bit 4 : KBCIRQSTS. KBC IRQ status.

Bit 3 : PRTIRQSTS. printer port IRQ status.

Bit 2 : FDCIRQSTS. FDC IRQ status.

Bit 1 : URAIRQSTS. UART A IRQ status.

Bit 0 : URBIRQSTS. UART B IRQ status.

## CRF4 (Default 0x00)

Bit 7 : Reserved. Return zero when read.

Bit 6 - 0 : These bits indicate the IRQ status of the individual GPIO function or logical device respectively. The status bit is set by their source function or device and is cleared by writing a 1. Writing a 0 has no effect.

Bit 6 :Reserved

Bit 5 : HMIRQSTS. Hardware monitor IRQ status.

Bit 4 : WDTIRQSTS. Watch dog timer IRQ status.

Bit 3 Reserved

Bit 1 : IRQIN1STS. IRQIN1 status.

Bit 0 : IRQIN0STS. IRQIN0 status.

## CRF6 (Default 0x00)

Bit 7 - 0 : Enable bits of the  $\overline{\text{SMI}}/\overline{\text{PME}}$  generation due to the device's IRQ.

These bits enable the generation of an  $\overline{\text{SMI}}/\overline{\text{PME}}$  interrupt due to any IRQ of the devices.  $\overline{\text{SMI}}/\overline{\text{PME}}$  logic output = (MOUIRQEN and MOUIRQSTS) or (KBCIRQEN and KBCIRQSTS) or (PRTIRQEN and PRTIRQSTS) or (FDCIRQEN and FDCIRQSTS) or (URAIRQEN and URAIRQSTS) or (URBIRQEN and URBIRQSTS) or

(HMIRQEN and HMIRQSTS) or (WDTIRQEN and WDTIRQSTS) or

(IRQIN3EN and IRQIN3STS) or (IRQIN2EN and IRQIN2STS) or

(IRQIN1EN and IRQIN1STS) or (IRQIN0EN and IRQIN0STS)

Bit 7 Reserved.

Bit 6 Reserved



- Bit 5 : MOUIRQEN.  
 = 0 disable the generation of an  $\overline{\text{SMI}}/\overline{\text{PME}}$  interrupt due to MOUSE's IRQ.  
 = 1 enable the generation of an  $\overline{\text{SMI}}/\overline{\text{PME}}$  interrupt due to MOUSE's IRQ.
- Bit 4 : KBCIRQEN.  
 = 0 disable the generation of an  $\overline{\text{SMI}}/\overline{\text{PME}}$  interrupt due to KBC's IRQ.  
 = 1 enable the generation of an  $\overline{\text{SMI}}/\overline{\text{PME}}$  interrupt due to KBC's IRQ.
- Bit 3 : PRTIRQEN.  
 = 0 disable the generation of an  $\overline{\text{SMI}}/\overline{\text{PME}}$  interrupt due to printer port's IRQ.  
 = 1 enable the generation of an  $\overline{\text{SMI}}/\overline{\text{PME}}$  interrupt due to printer port's IRQ.
- Bit 2 : FDCIRQEN.  
 = 0 disable the generation of an  $\overline{\text{SMI}}/\overline{\text{PME}}$  interrupt due to FDC's IRQ.  
 = 1 enable the generation of an  $\overline{\text{SMI}}/\overline{\text{PME}}$  interrupt due to FDC's IRQ.
- Bit 1 : URAIRQEN.  
 = 0 disable the generation of an  $\overline{\text{SMI}}/\overline{\text{PME}}$  interrupt due to UART A's IRQ.  
 = 1 enable the generation of an  $\overline{\text{SMI}}/\overline{\text{PME}}$  interrupt due to UART A's IRQ.
- Bit 0 : URBIRQEN.  
 = 0 disable the generation of an  $\overline{\text{SMI}}/\overline{\text{PME}}$  interrupt due to UART B's IRQ.  
 = 1 enable the generation of an  $\overline{\text{SMI}}/\overline{\text{PME}}$  interrupt due to UART B's IRQ.

**CRF7 (Default 0x00)**

- Bit 7 : Reserved. Return zero when read
- Bit 6 - 0 : Enable bits of the  $\overline{\text{SMI}}/\overline{\text{PME}}$  generation due to the GPIO IRQ function or device's IRQ.
- Bit 6 : Reserved
- Bit 5 : HMIRQEN.  
 = 0 disable the generation of an  $\overline{\text{SMI}}/\overline{\text{PME}}$  interrupt due to hardware monitor's IRQ.  
 = 1 enable the generation of an  $\overline{\text{SMI}}/\overline{\text{PME}}$  interrupt due to hardware monitor's IRQ.
- Bit 4 : WDTIRQEN.  
 = 0 disable the generation of an  $\overline{\text{SMI}}/\overline{\text{PME}}$  interrupt due to watch dog timer's IRQ.  
 = 1 enable the generation of an  $\overline{\text{SMI}}/\overline{\text{PME}}$  interrupt due to watch dog timer's IRQ.
- Bit 3 : Reserved
- Bit 2 : MIDIIRQEN.  
 = 0 disable the generation of an  $\overline{\text{SMI}}/\overline{\text{PME}}$  interrupt due to MIDI's IRQ.  
 = 1 enable the generation of an  $\overline{\text{SMI}}/\overline{\text{PME}}$  interrupt due to MIDI's IRQ.
- Bit 1 : IRQIN1EN.  
 = 0 disable the generation of an  $\overline{\text{SMI}}/\overline{\text{PME}}$  interrupt due to IRQIN1's IRQ.  
 = 1 enable the generation of an  $\overline{\text{SMI}}/\overline{\text{PME}}$  interrupt due to IRQIN1's IRQ.



- Bit 0 : IRQIN0EN.  
= 0 disable the generation of an  $\overline{\text{SMI}}/\overline{\text{PME}}$  interrupt due to IRQIN0's IRQ.  
= 1 enable the generation of an  $\overline{\text{SMI}}/\overline{\text{PME}}$  interrupt due to IRQIN0's IRQ.

## CRF9 (Default 0x00)

- Bit 7 - 3 : Reserved. Return zero when read.
- Bit 2 : PME\_EN: Select the power management events to be either an  $\overline{\text{PME}}$  or  $\overline{\text{SMI}}$  interrupt for the IRQ events. Note that: this bit is valid only when SMIPME\_OE = 1.  
= 0 the power management events will generate an  $\overline{\text{SMI}}$  event  
= 1 the power management events will generate an  $\overline{\text{PME}}$  event.
- Bit 1 : FSLEEP: This bit selects the fast expiry time of individual devices.  
= 0 1 second.  
= 1 8 mS
- Bit 0 : SMIPME\_OE: This is the  $\overline{\text{SMI}}$  and  $\overline{\text{PME}}$  output enable bit.  
= 0 neither  $\overline{\text{SMI}}$  nor  $\overline{\text{PME}}$  will be generated. Only the IRQ status bit is set.  
= 1 an  $\overline{\text{SMI}}$  or  $\overline{\text{PME}}$  event will be generated.

## CRFE, FF (Default 0x00)

Reserved for Winbond test.

## 7.3 Logical Device B (Hardware Monitor)

### CR30 (Default 0x00)

- Bit 7 - 1 : Reserved.
- Bit 0 = 1 Activates the logical device.  
= 0 Logical device is inactive.

### CR60, CR 61 (Default 0x00, 0x00)

These two registers select Hardware Monitor base address [0x100:0xFFFF] on 8-byte boundary.

### CR70 (Default 0x00)

- Bit 7 - 4 : Reserved.
- Bit 3 - 0 : These bits select IRQ channel for Hardware Monitor.



## 8. AC/DC SPECIFICATIONS

### 8.1 Absolute Maximum Ratings

PARAMETER	RATING	UNIT
Power Supply Voltage (5V)	-0.5 to 7.0	V
Input Voltage	-0.5 to $V_{DD}+0.5$	V
RTC Battery Voltage $V_{BAT}$	2.2 to 4.0	V
Operating Temperature	0 to +70	°C
Storage Temperature	-55 to +150	°C

**Note:** Exposure to conditions beyond those listed under Absolute Maximum Ratings may adversely affect the life and reliability of the device.

### 8.2 DC CHARACTERISTICS

( $T_a = 0\text{ }^{\circ}\text{C}$  to  $70\text{ }^{\circ}\text{C}$ ,  $V_{DD} = 5\text{V} \pm 10\%$ ,  $V_{SS} = 0\text{V}$ )

PARAMETER	SYM.	MIN.	TYP.	MAX.	UNIT	CONDITIONS
RTC Battery Quiescent Current	$I_{BAT}$			2.4	uA	$V_{BAT} = 2.5\text{ V}$
ACPI Stand-by Power Supply Quiescent current	$I_{BAT}$			2.0	mA	$V_{SB} = 5.0\text{ V}$ , All ACPI pins are not connected.
<b><math>IN_{cs}</math> - CMOS level Schmitt-triggered input pin</b>						
Input Low Threshold Voltage	$V_{t-}$	1.3	1.5	1.7	V	$V_{DD} = 5\text{ V}$
Input High Threshold Voltage	$V_{t+}$	3.2	3.5	3.8	V	$V_{DD} = 5\text{ V}$
Hysteresis	$V_{TH}$	1.5	2		V	$V_{DD} = 5\text{ V}$
Input High Leakage	$I_{LIH}$			+10	$\mu\text{A}$	$V_{IN} = 5\text{ V}$
Input Low Leakage	$I_{LIL}$			-10	$\mu\text{A}$	$V_{IN} = 0\text{ V}$
<b><math>IN_t</math> - TTL level input pin</b>						
Input Low Voltage	$V_{IL}$			0.8	V	
Input High Voltage	$V_{IH}$	2.0			V	
Input High Leakage	$I_{LIH}$			+10	$\mu\text{A}$	$V_{IN} = 5\text{ V}$
Input Low Leakage	$I_{LIL}$			-10	$\mu\text{A}$	$V_{IN} = 0\text{ V}$

# W83627THF/W83627THG



DC CHARACTERISTICS, continued.

PARAMETER	SYM.	MIN.	TYP	MAX.	UNIT	CONDITIONS
<b>IN<sub>td</sub> - TTL level input pin with internal pull down resistor</b>						
Input Low Voltage	V <sub>IL</sub>			0.8	V	
Input High Voltage	V <sub>IH</sub>	2.0			V	
Input High Leakage	I <sub>LIH</sub>			+10	μA	V <sub>IN</sub> = 5 V
Input Low Leakage	I <sub>LIL</sub>			-10	μA	V <sub>IN</sub> = 0 V
pull down resistor	R			47	KΩ	
<b>IN<sub>ts</sub> - TTL level Schmitt-triggered input pin</b>						
Input Low Threshold Voltage	V <sub>t-</sub>	0.8	0.9	1.0	V	V <sub>DD</sub> = 5 V
Input High Threshold Voltage	V <sub>t+</sub>	1.8	1.9	2.0	V	V <sub>DD</sub> = 5 V
Hysteresis	V <sub>TH</sub>	0.8	1.0		V	V <sub>DD</sub> = 5 V
Input High Leakage	I <sub>LIH</sub>			+10	μA	V <sub>IN</sub> = 5 V
Input Low Leakage	I <sub>LIL</sub>			-10	μA	V <sub>IN</sub> = 0 V
<b>IN<sub>tsp3</sub> - 3.3 V TTL level Schmitt-triggered input pin</b>						
Input Low Threshold Voltage	V <sub>t-</sub>	0.5	0.8	1.1	V	V <sub>DD</sub> = 3.3 V
Input High Threshold Voltage	V <sub>t+</sub>	1.6	2.0	2.4	V	V <sub>DD</sub> = 3.3 V
Hysteresis	V <sub>TH</sub>	0.5	1.2		V	V <sub>DD</sub> = 3.3 V
Input High Leakage	I <sub>LIH</sub>			+10	μA	V <sub>IN</sub> = 3.3 V
Input Low Leakage	I <sub>LIL</sub>			-10	μA	V <sub>IN</sub> = 0 V
<b>IN<sub>tu</sub> - TTL level input pin with internal pull up resistor</b>						
Input Low Voltage	V <sub>IL</sub>			0.8	V	
Input High Voltage	V <sub>IH</sub>	2.0			V	
Input High Leakage	I <sub>LIH</sub>			+10	μA	V <sub>IN</sub> = 5 V
Input Low Leakage	I <sub>LIL</sub>			-10	μA	V <sub>IN</sub> = 0 V
pull up resistor	R	40			KΩ	

# W83627THF/W83627THG



DC CHARACTERISTICS, continued.

PARAMETER	SYM.	MIN.	TYP	MAX.	UNIT	CONDITIONS
<b>I/O<sub>8t</sub> - TTL level bi-directional pin with source-sink capability of 8 mA</b>						
Input Low Voltage	V <sub>IL</sub>			0.8	V	
Input High Voltage	V <sub>IH</sub>	2.0			V	
Output Low Voltage	V <sub>OL</sub>			0.4	V	I <sub>OL</sub> = 8 mA
Output High Voltage	V <sub>OH</sub>	2.4			V	I <sub>OH</sub> = - 8 mA
Input High Leakage	I <sub>LIH</sub>			+10	μA	V <sub>IN</sub> = 5 V
Input Low Leakage	I <sub>LIL</sub>			-10	μA	V <sub>IN</sub> = 0 V
<b>I/O<sub>12t</sub> - TTL level bi-directional pin with source-sink capability of 12 mA</b>						
Input Low Voltage	V <sub>IL</sub>			0.8	V	
Input High Voltage	V <sub>IH</sub>	2.0			V	
Output Low Voltage	V <sub>OL</sub>			0.4	V	I <sub>OL</sub> = 12 mA
Output High Voltage	V <sub>OH</sub>	2.4			V	I <sub>OH</sub> = -12 mA
Input High Leakage	I <sub>LIH</sub>			+10	μA	V <sub>IN</sub> = 5 V
Input Low Leakage	I <sub>LIL</sub>			-10	μA	V <sub>IN</sub> = 0 V
<b>I/O<sub>12tp3</sub> - 3.3 V TTL level bi-directional pin with source-sink capability of 12 mA</b>						
Input Low Voltage	V <sub>IL</sub>			0.8	V	
Input High Voltage	V <sub>IH</sub>	2.0			V	
Output Low Voltage	V <sub>OL</sub>			0.4	V	I <sub>OL</sub> = 12 mA
Output High Voltage	V <sub>OH</sub>	2.4			V	I <sub>OH</sub> = -12 mA
Input High Leakage	I <sub>LIH</sub>			+10	μA	V <sub>IN</sub> = 3.3 V
Input Low Leakage	I <sub>LIL</sub>			-10	μA	V <sub>IN</sub> = 0 V
<b>I/OD<sub>12ts</sub> - TTL level bi-directional Schmitt-triggered pin. Open-drain output with 12 mA sink capability</b>						
Input Low Threshold Voltage	V <sub>t</sub>	0.8	0.9	1.0	V	V <sub>DD</sub> = 5 V
Input High Threshold Voltage	V <sub>t+</sub>	1.8	1.9	2.0	V	V <sub>DD</sub> = 5 V
Hysteresis	V <sub>TH</sub>	0.8	1.0		V	V <sub>DD</sub> = 5 V
Output Low Voltage	V <sub>OL</sub>			0.4	V	I <sub>OL</sub> = 12 mA
Input High Leakage	I <sub>LIH</sub>			+10	μA	V <sub>IN</sub> = 5 V
Input Low Leakage	I <sub>LIL</sub>			-10	μA	V <sub>IN</sub> = 0 V

# W83627THF/W83627THG



DC CHARACTERISTICS, continued.

PARAMETER	SYM.	MIN.	TYP	MAX.	UNIT	CONDITIONS
<b>I/OD<sub>12tp3</sub> – 3.3 V TTL level bi-directional pin. Open-drain output with 12 mA sink capability</b>						
Input Low Voltage	V <sub>IL</sub>			0.8	V	
Input High Voltage	V <sub>IH</sub>	2.0			V	
Output Low Voltage	V <sub>OL</sub>			0.4	V	I <sub>OL</sub> = 12 mA
Input High Leakage	I <sub>LIH</sub>			+10	μA	V <sub>IN</sub> = 3.3V
Input Low Leakage	I <sub>LIL</sub>			-10	μA	V <sub>IN</sub> = 0V
<b>I/OD<sub>16cs</sub> - CMOS level Schmitt-triggered bi-directional pin. Open-drain output with 16 mA sink capability</b>						
Input Low Threshold Voltage	V <sub>t</sub>	1.3	1.5	1.7	V	V <sub>DD</sub> = 5 V
Input High Threshold Voltage	V <sub>t+</sub>	3.2	3.5	3.8	V	V <sub>DD</sub> = 5 V
Hysteresis	V <sub>TH</sub>	1.5	2		V	V <sub>DD</sub> = 5 V
Input Low Voltage	V <sub>IL</sub>			0.8	V	
Input High Voltage	V <sub>IH</sub>	2.0			V	
Output Low Voltage	V <sub>OL</sub>			0.4	V	I <sub>OL</sub> = 16 mA
Input High Leakage	I <sub>LIH</sub>			+10	μA	V <sub>IN</sub> = 5 V
Input Low Leakage	I <sub>LIL</sub>			-10	μA	V <sub>IN</sub> = 0 V
<b>I/OD<sub>24t</sub> - TTL level bi-directional pin. Open-drain output with 24 mA sink capability</b>						
Input Low Voltage	V <sub>IL</sub>			0.8	V	
Input High Voltage	V <sub>IH</sub>	2.0			V	
Output Low Voltage	V <sub>OL</sub>			0.4	V	I <sub>OL</sub> = 24 mA
Input High Leakage	I <sub>LIH</sub>			+10	μA	V <sub>IN</sub> = 5 V
Input Low Leakage	I <sub>LIL</sub>			-10	μA	V <sub>IN</sub> = 0 V
<b>OD<sub>8</sub> - Open-drain output pin with sink capability of 8 mA</b>						
Output Low Voltage	V <sub>OL</sub>			0.4	V	I <sub>OL</sub> = 8 mA
<b>OD<sub>12</sub> - Open-drain output pin with sink capability of 12 mA</b>						
Output Low Voltage	V <sub>OL</sub>			0.4	V	I <sub>OL</sub> = 12 mA
<b>OD<sub>24</sub> - Open-drain output pin with sink capability of 24 mA</b>						
Output Low Voltage	V <sub>OL</sub>			0.4	V	I <sub>OL</sub> = 24 mA



# W83627THF/W83627THG



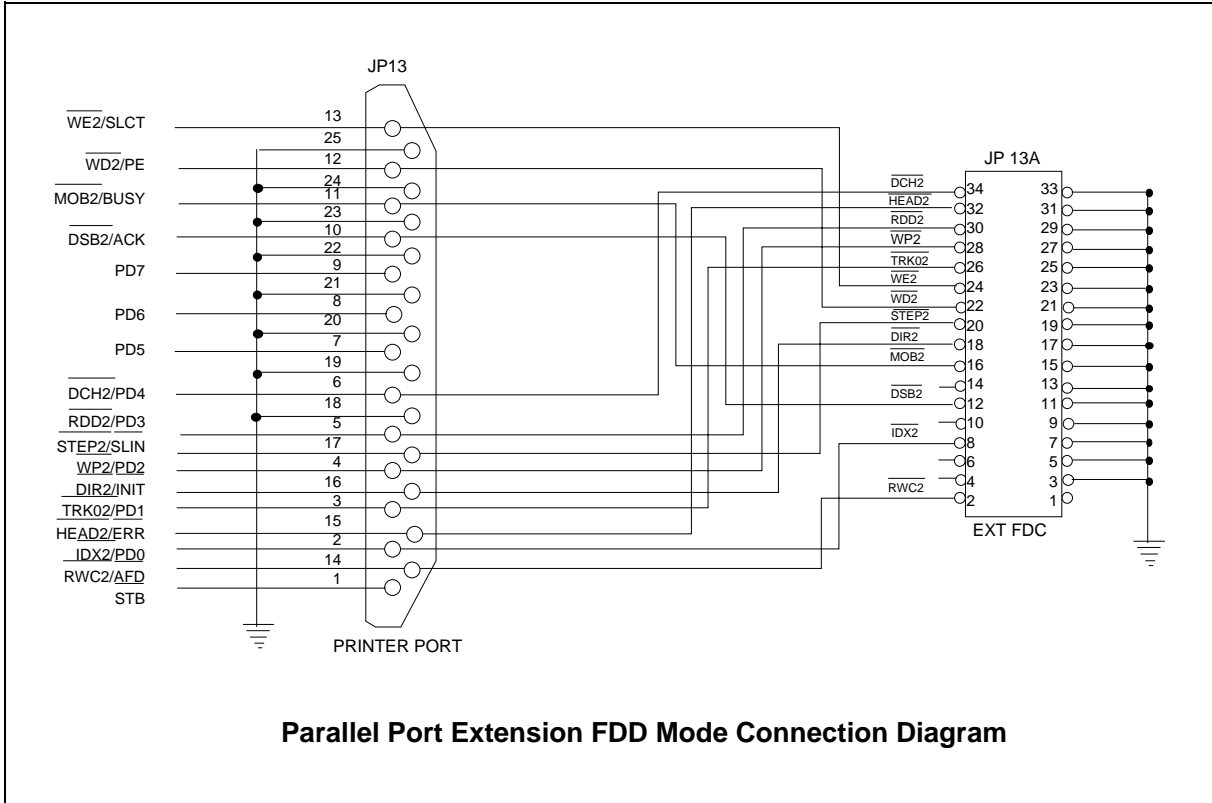
DC CHARACTERISTICS, continued.

PARAMETER	SYM.	MIN.	TYP	MAX.	UNIT	CONDITIONS
<b>OUT<sub>8</sub> - TTL level output pin with source-sink capability of 8 mA</b>						
Output Low Voltage	V <sub>OL</sub>			0.4	V	I <sub>OL</sub> = 8 mA
Output High Voltage	V <sub>OH</sub>	2.4			V	I <sub>OH</sub> = -8 mA
<b>OUT<sub>12</sub> - TTL level output pin with source-sink capability of 12 mA</b>						
Output Low Voltage	V <sub>OL</sub>			0.4	V	I <sub>OL</sub> = 12 mA
Output High Voltage	V <sub>OH</sub>	2.4			V	I <sub>OH</sub> = -12 mA
<b>OUT<sub>24</sub> - TTL level output pin with source-sink capability of 24 mA</b>						
Output Low Voltage	V <sub>OL</sub>			0.4	V	I <sub>OL</sub> = 24 mA
Output High Voltage	V <sub>OH</sub>	2.4			V	I <sub>OH</sub> = -24 mA
<b>OUT<sub>12tp3</sub> - 3.3 V TTL level output pin with source-sink capability of 12 mA</b>						
Output Low Voltage	V <sub>OL</sub>			0.4	V	I <sub>OL</sub> = 12 mA
Output High Voltage	V <sub>OH</sub>	2.4			V	I <sub>OH</sub> = -12 mA



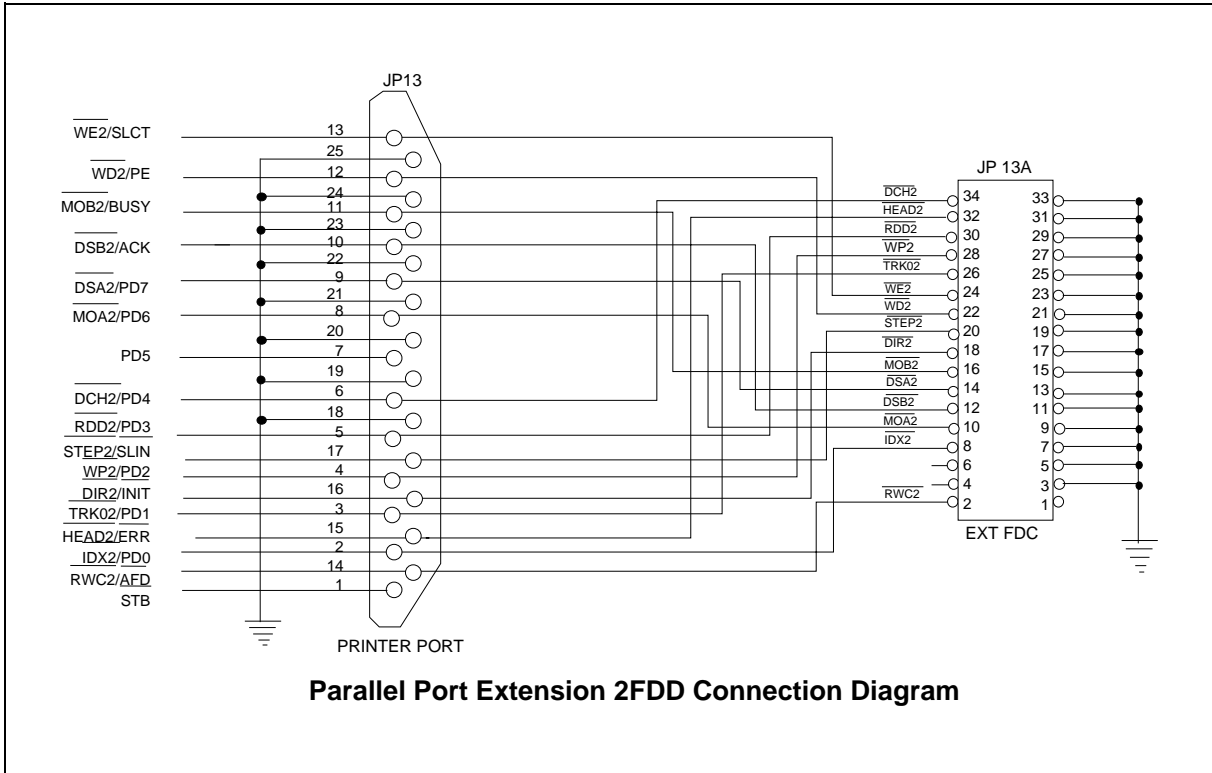
9. APPLICATION CIRCUITS

9.1 Parallel Port Extension FDD

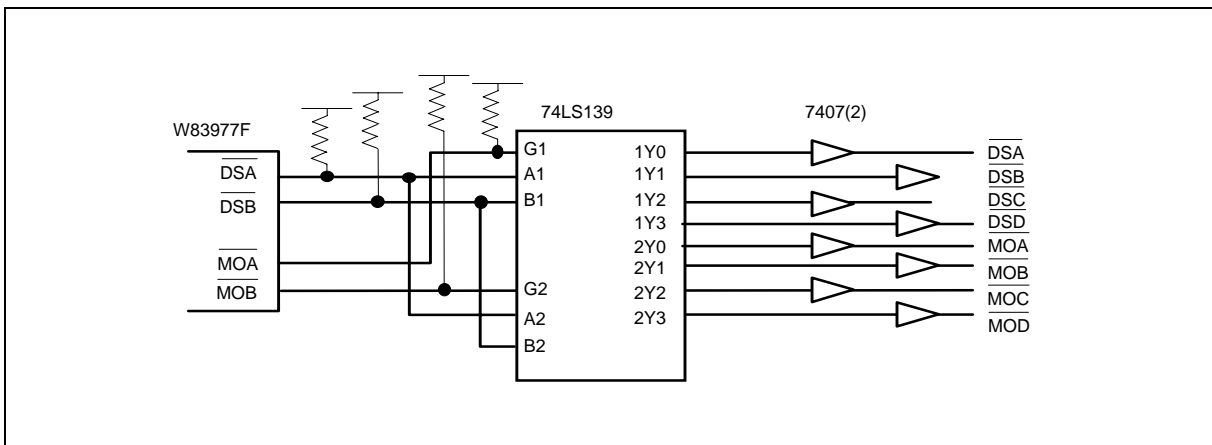




9.2 Parallel Port Extension 2FDD



9.3 Four FDD Mode

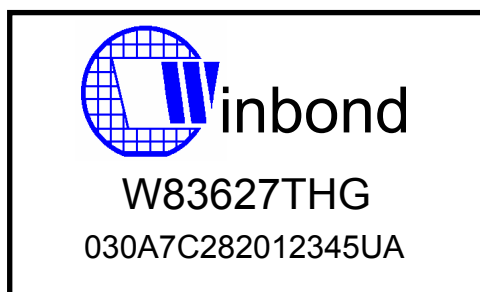


## W83627THF/W83627THG



### 10. HOW TO READ THE TOP MARKING

Example: The top marking of W83627THF, W83627THG



1st line: Winbond logo

2nd line: the type number: W83627THF, W83627THG

(the "G" means Pb-free package)

3rd line: the tracking code 030A7C282012345UA

**030**: packages made in '00, week 30

**A**: assembly house ID; A means ASE, S means SPIL.... etc.

**7**: code version; 7 means code 007

**C**: IC revision; A means version A, B means version B

**282012345**: wafer production series lot number

**UA**: Winbond internal use.

# W83627THF/W83627THG



## 11. PACKAGE DIMENSIONS

(128-pin QFP)

Symbol	Dimension in mm			Dimension in inch		
	Min	Nom	Max	Min	Nom	Max
A <sub>1</sub>	0.25	0.35	0.45	0.010	0.014	0.018
A <sub>2</sub>	2.57	2.72	2.87	0.101	0.107	0.113
b	0.10	0.20	0.30	0.004	0.008	0.012
c	0.10	0.15	0.20	0.004	0.006	0.008
D	13.90	14.00	14.10	0.547	0.551	0.555
E	19.90	20.00	20.10	0.783	0.787	0.791
⌀	—	0.50	—	—	0.020	—
H <sub>b</sub>	17.00	17.20	17.40	0.669	0.677	0.685
H <sub>E</sub>	23.00	23.20	23.40	0.905	0.913	0.921
L	0.65	0.80	0.95	0.025	0.031	0.037
L <sub>1</sub>	—	1.60	—	—	0.063	—
y	—	—	0.08	—	—	0.003
⌀	0	—	7	0	—	7

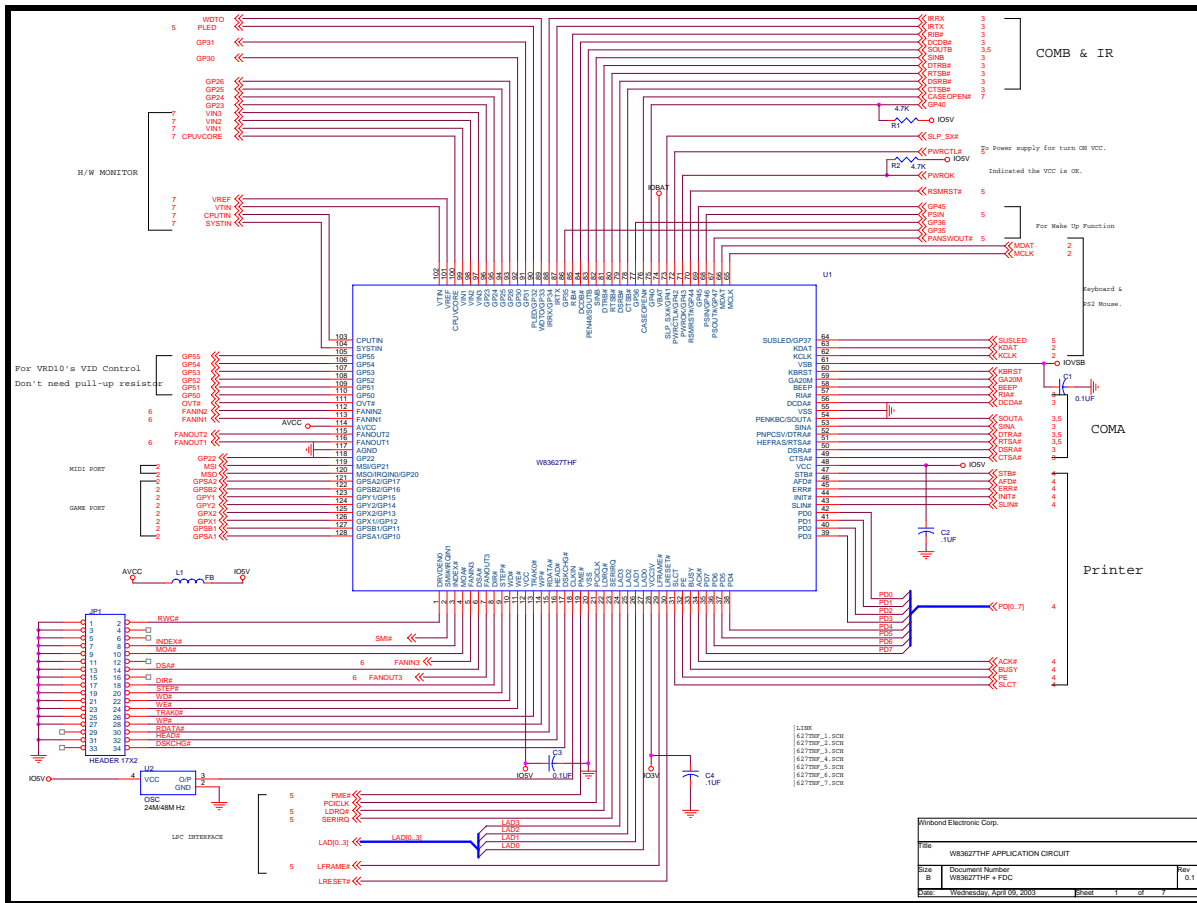
**Note:**

- 1.Dimension D & E do not include interlead flash.
- 2.Dimension b does not include dambar protrusion/intrusion
- 3.Controlling dimension : Millimeter
- 4.General appearance spec. should be based on final visual inspection spec.
5. PCB layout please use the "mm".

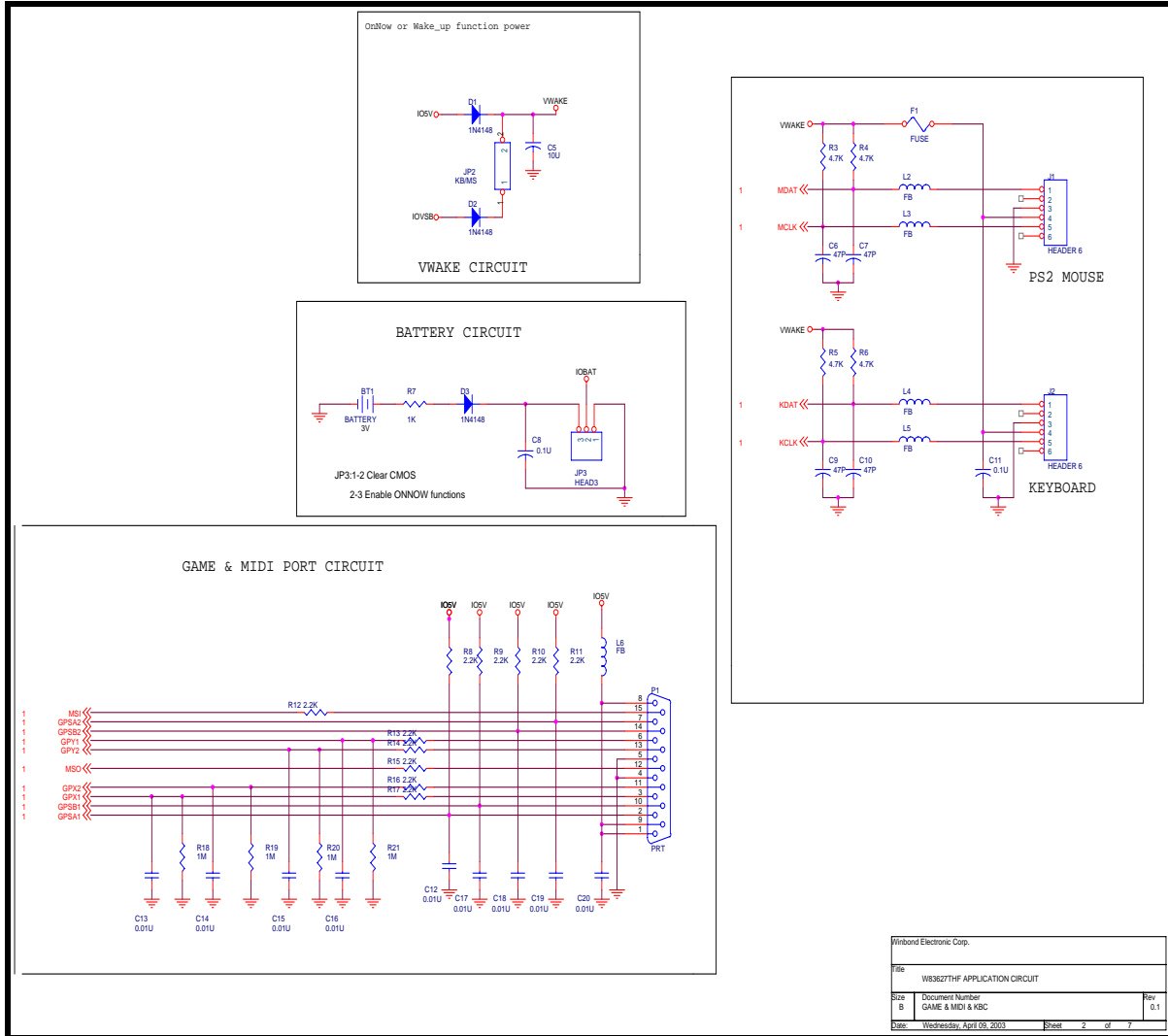
# W83627THF/W83627THG



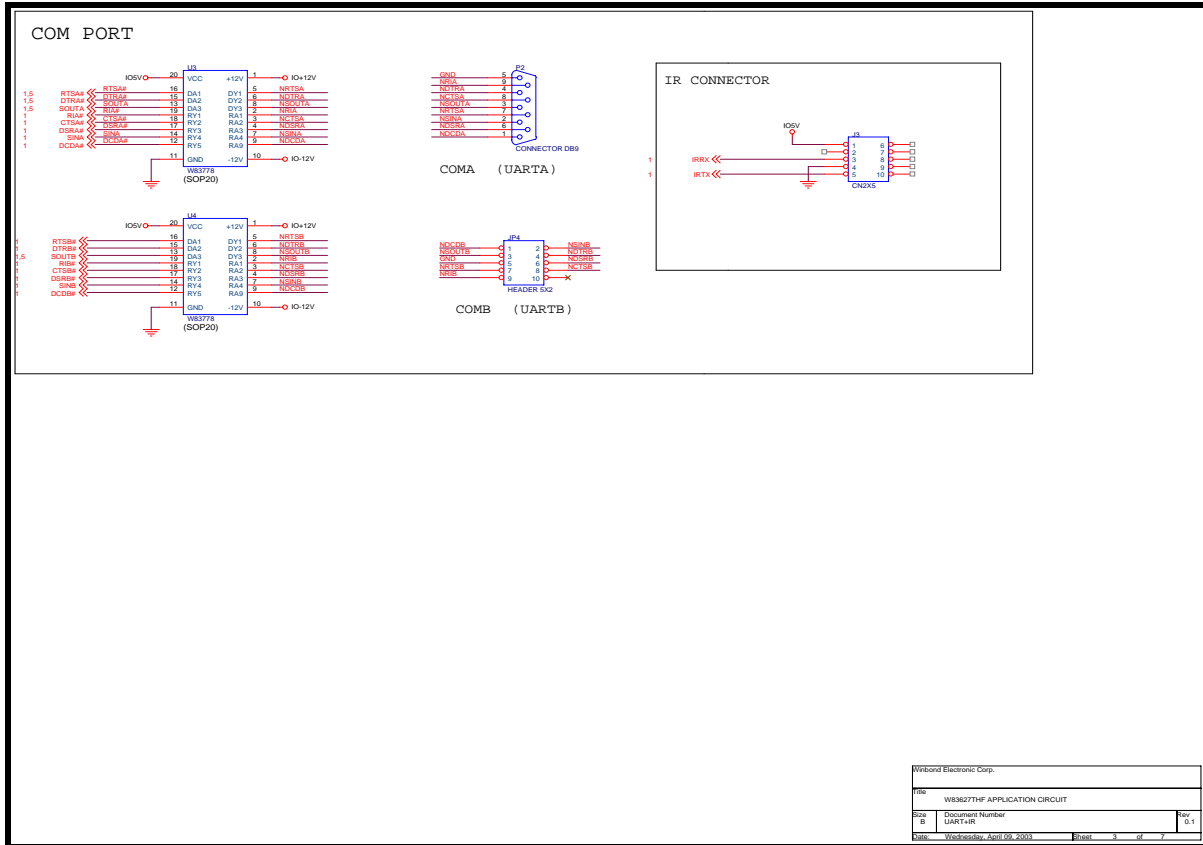
## 12. APPENDIX A : DEMO CIRCUIT



# W83627THF/W83627THG

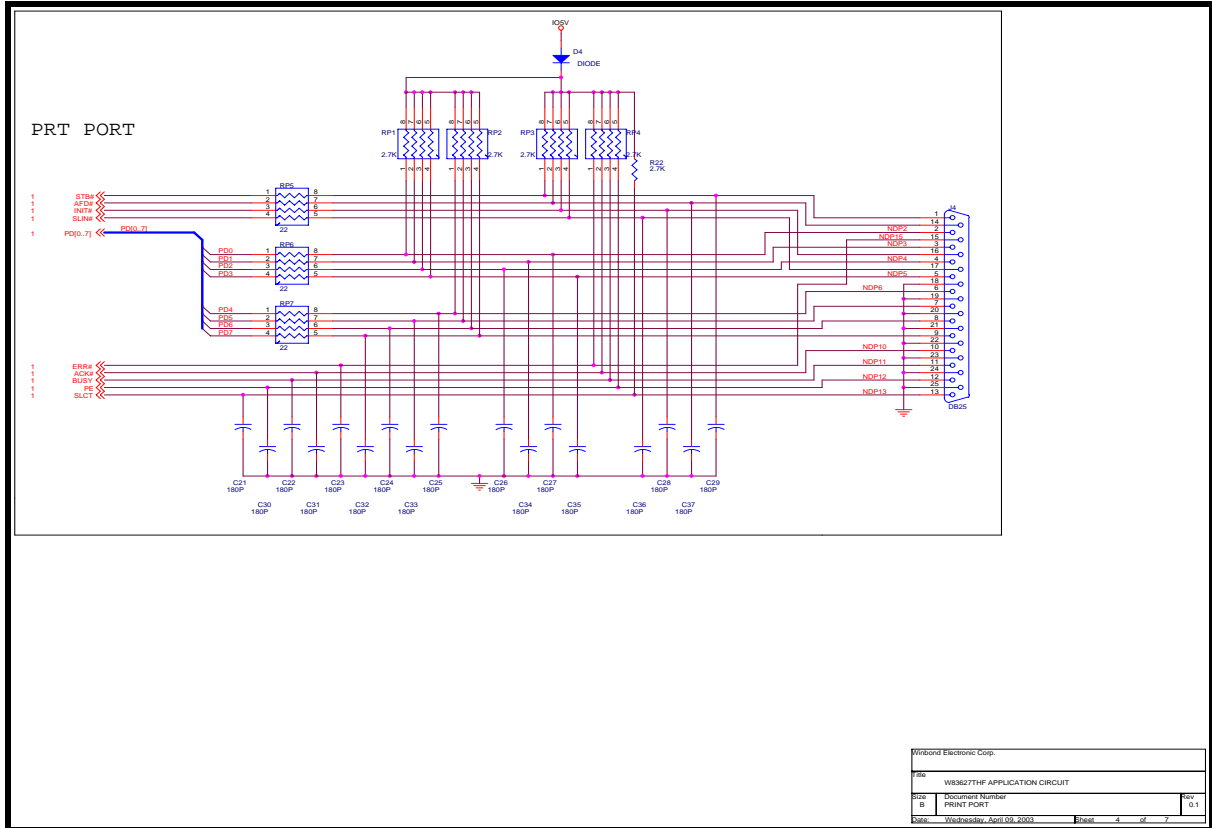


# W83627THF/W83627THG

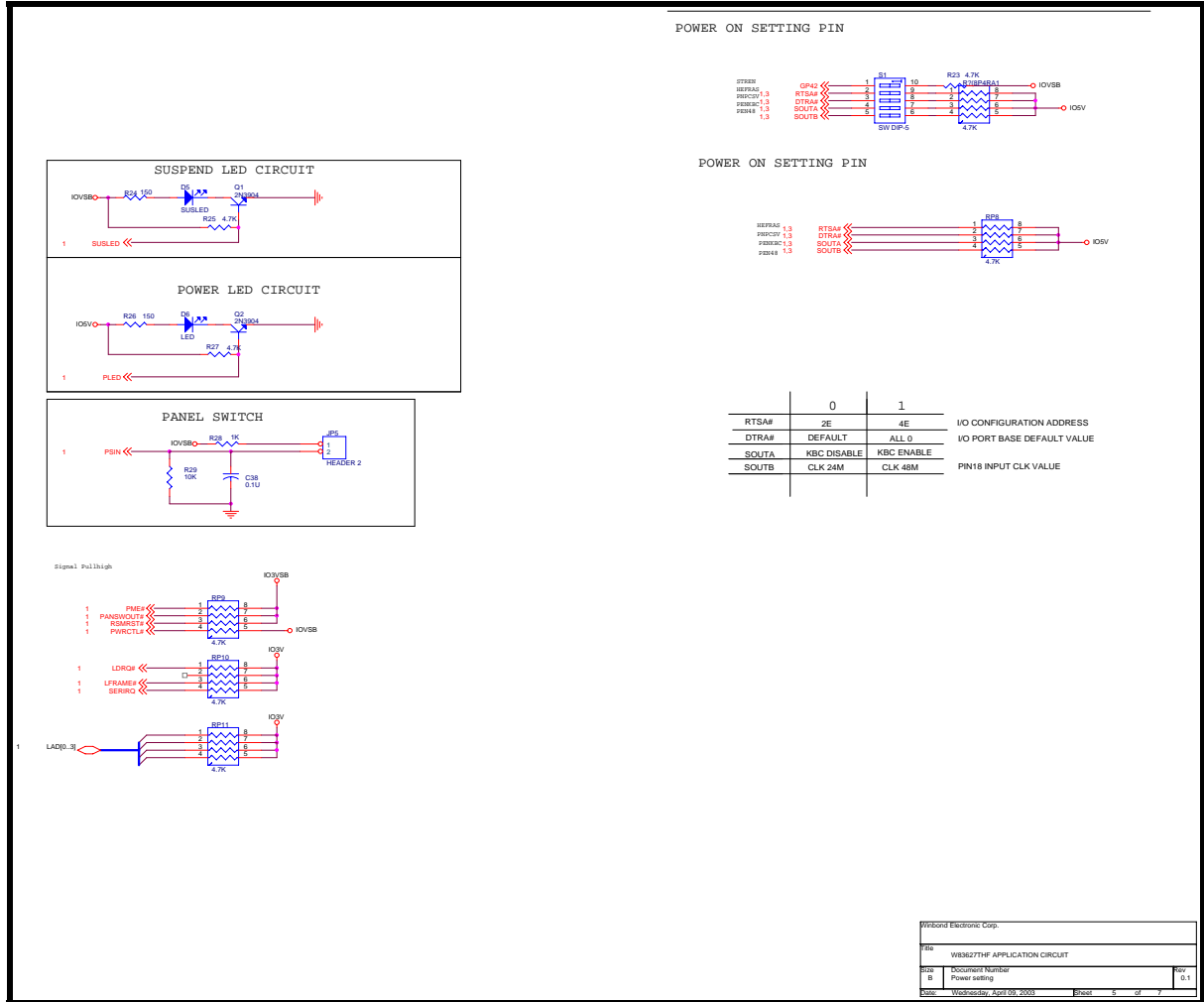




# W83627THF/W83627THG



# W83627THF/W83627THG

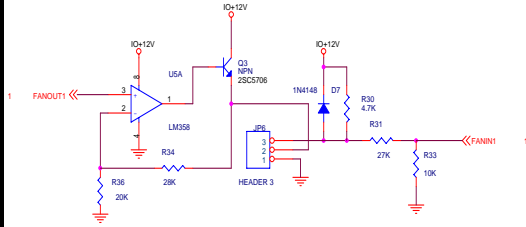


# W83627THF/W83627THG

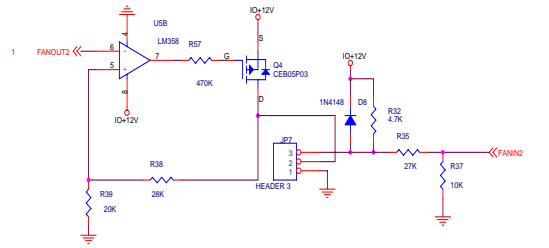


## Circuit for DC FAN speed control

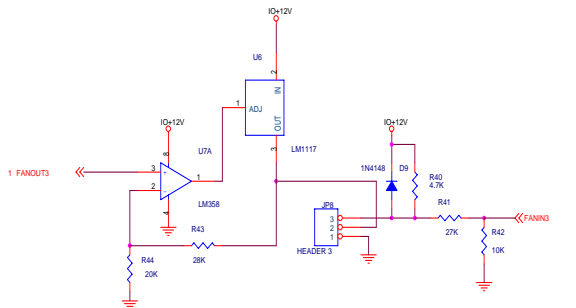
Type 1 : Transistor 2SC5706



Type 2 : PMOS CEB05P03



Type 3 : LDO LM1117



Note :

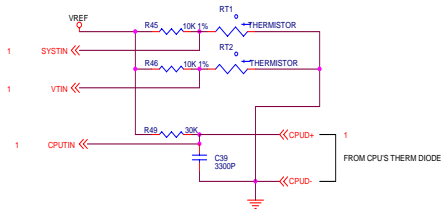
1. Transistor, MOSFET, LDO  
We suggest TO-252 or TO-262 type of package
2. Use 2SC5706, Max. FANVCC is 10.2V
3. Use CEB05P03, Max. FANVCC is 12V
4. Use LM1117, Max. FANVCC max is 10.8V

Winbond Electronic Corp.		
File	W83627THF APPLICATION CIRCUIT	
Size	Document Number	Rev
B	FAN Control	0.1
Date	Wednesday, April 09, 2003	Page 6 of 7

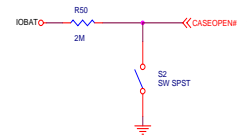
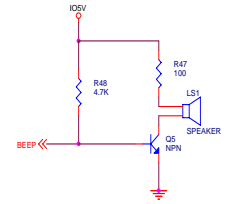
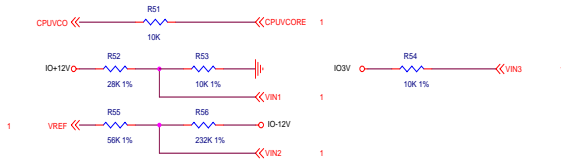
# W83627THF/W83627THG



## Temperature Sensing



## Voltage Sensing



Winbond Electronic Corp.			
Title	W83627THF APPLICATION CIRCUIT		
Size	Document Number	Rev	
B	Temperature+Voltage sensing	0.1	
Date	Wednesday, April 09, 2009	Sheet	7 of 7

# W83627THF/W83627THG



## 13. W83627THF VERSION CHANGE NOTICE 1

### Feature Brief

W83627THF : LPC I/F + FDC + 2\* UART + Parallel Port + KBC + Game Port + MIDI Port + ACPI + Power failure + Hardware Monitor + GPIO + VRD10.0

### Description

This version change notice is for the W83627THF to be changed from C to E.

### The contents:

1. The E version can directly replace C version without any circuit or S/W change except Fan Control Function.
2. Chip ID is changed from 0x8283h to 0x8285h.
3. SYSFANOUT (Pin 116), CPUFANOUT (Pin 115) and AUXFANOUT (Pin 7) are revised as the following table. They are configured by CR[F0h] bit4 ~ bit6 of Logical Device B.

Pin	C VERSION		E VERSION	
	Function	Default	Function	Default
115-CPUFANOUT	DC fan out	DC fan out	PWM/DC fan out	PWM fan out
116-SYSFANOUT	DC fan out	DC fan out	PWM/DC fan out	DC fan out
7-AUXFANOUT	DC fan out	DC fan out	PWM/DC fan out	DC fan out

4. The programming method is described in W83627THF APN04.

### W83627THF Version Change Notices List

	DATE	VERSION	REMARK
1	03/04/2004	VCN1	Release Notice for C version to E version.

# W83627THF/W83627THG



## 14. W83627THF APPLICATION NOTICE 4 (FOR E VERSION)

### Feature Brief

W83627THF : LPC I/F + FDC + UART\*2 + Parallel Port + KBC + Game Port + MIDI Port + ACPI + Power failure + Hardware Monitor + GPIO + VRD10.0

### Description

W83627THF Version E provides two controllable methods for Fan speed control. One is PWM duty cycle output and the other is DC voltage output. Either PWM or DC output can be programmed at CR[F0h] bit4 ~ bit6 of Logical Device B.

### **CR[F0h] of Logical Device B**

BIT	DESCRIPTION
6	AUXFANOUT output mode selection. :0, DC voltage. (default) :1, PWM duty cycle.
5	CPUFANOUT output mode selection. :0, DC voltage. :1, PWM duty cycle. (default)
4	SYSFANOUT output mode selection. :0, DC voltage. (default) :1, PWM duty cycle.

### **1. PWM Duty Cycle Output**

The duty cycle of PWM can be programmed by a 8-bit registers which are defined in the Bank0 Index 01h, Index03h and Index 11h of H/W Monitor block. The default duty cycle is set to **100%**, that is, the default 8-bit registers is set to FFh. The expression of duty can be represented as follows.

$$\text{Dutycycle(\%)} = \frac{\text{Programmed 8-bit Register Value}}{255} \times 100\%$$

The PWM clock frequency also can be program and defined in the Bank0 Index 00h, Index 02h and Index 10h of H/W Monitor block.

## W83627THF/W83627THG

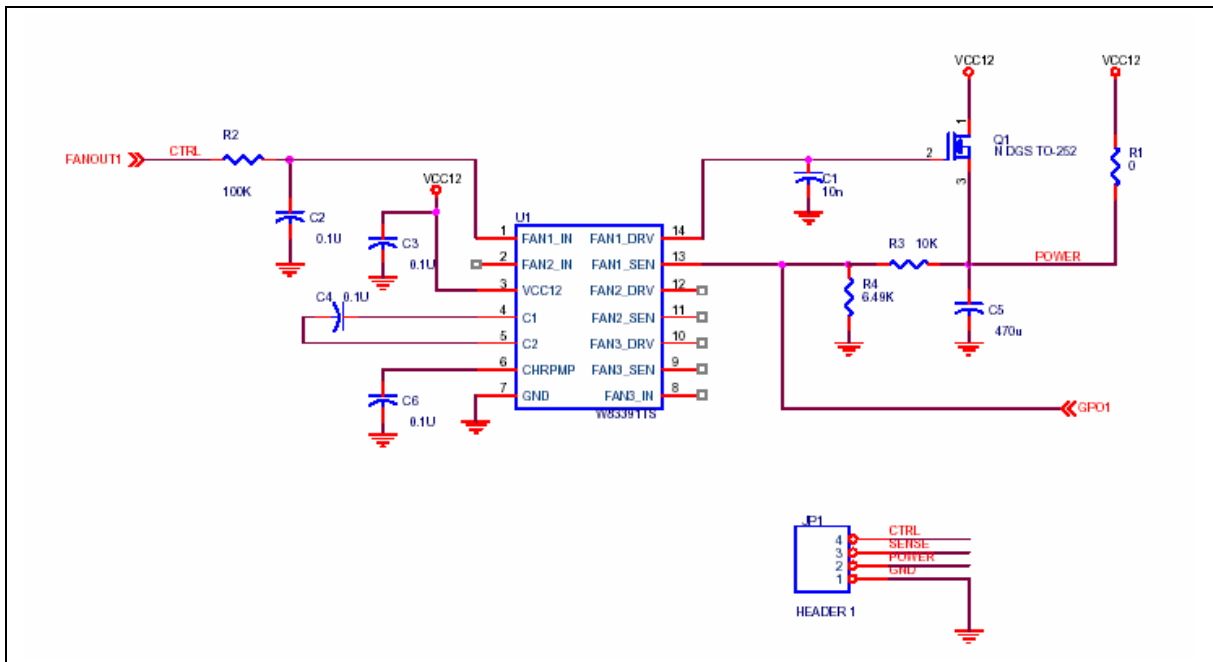


### 2. DC Voltage Output

The W83627THF has a 4 bit DAC which produces 0 to 5 volts DC output that provides maximum 3 sets for fan speed control. The analog output can be programmed in the Bank0 Index 01h, Index 03h and Index 11h of H/W Monitor block. The default value is 0xFY, Y is reserved nibble, that is default output value is nearly 5V. The expression of output voltage can be represented as follow ,

$$\text{Output Voltage (V)} = AVCC \times \frac{\text{Programmed 4 - bit Register Value}}{16}$$

The application circuit is shown as follow,



This application circuit used Winbond W83391TS Pre-Driver to control Fan speed. It can support both PWM and DC output.



**Difference between C and E version :**

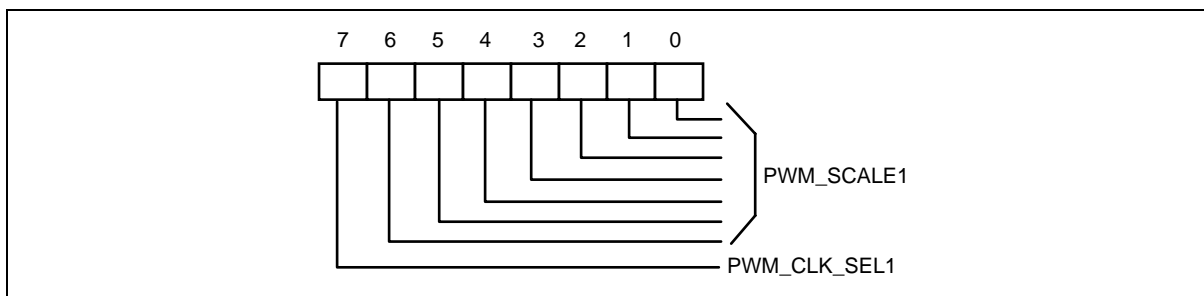
A. Pin Description

SYSFANOUT	116	AOUT	Fan speed control. Output analog voltage level to control the Fan's speed.
CPUFANOUT	115		
AUXFANOUT	7	OUT <sub>12</sub>	Fan speed control. Use the Pulse Width Modulation (PWM) to control the Fan's RPM.

B. Fan Speed Control Registers

**14.1 SYSFANOUT PWM Output Frequency Configuration Register - Index 00h**

Register Location: 00h  
 Power on Default Value: 01h  
 Attribute: Read/Write  
 Size: 8 bits



**The register is meaningful when SYSFANOUT be programmed as PWM output.**

Bit 7: SYSFANOUT PWM Input Clock Source Select. This bit selects the clock source of PWM output frequency.

Set to 0, select 24 MHz.

Set to 1, select 180 KHz.

Bit 6-0: SYSFANOUT PWM Pre-Scale divider. This is the divider of clock source of PWM output frequency. The maximum divider is 128 (7Fh). This divider should not be set to 0.

01h : divider is 1

02h : divider is 2

03h : divider is 3

:

:

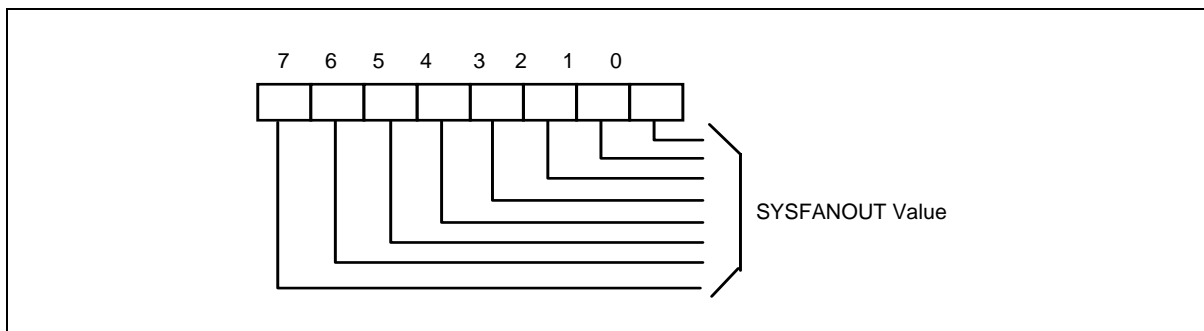
the formula is 
$$\text{PWM output frequency} = \frac{\text{Input Clock}}{\text{Pre\_Scale Divider}} * \frac{1}{256}$$





**14.2 SYSFANOUT Output Value Select Register - Index 01h**

Register Location: 01h  
 Power on Default Value: FFh  
 Attribute: Read/Write  
 Size: 8 bits



**(1) If SYSFANOUT be programmed as PWM output (CR[F0h] of LD B bit4 is 1)**

Bit 7-0: SYSFANOUT PWM Duty Cycle. Write FFh, SYSFANOUT is always logical High which means duty cycle is 100%. Write 00h, SYSFANOUT is always logical Low which means duty cycle is 0%.

**Note.** XXh: PWM Duty Cycle output percentage is  $(XX/255 \times 100\%)$  during one cycle.

**(2) If SYSFANOUT be programmed as DC Voltage output (CR[F0h] of LD B bit4 is 0)**

Bit 7-4: SYSFANOUT voltage control.

Bit 3-0: Reserved.

$$\text{OUTPUT Voltage} = AVCC * \frac{FANOUT}{16}$$



If AVCC= 5V , output voltage table is

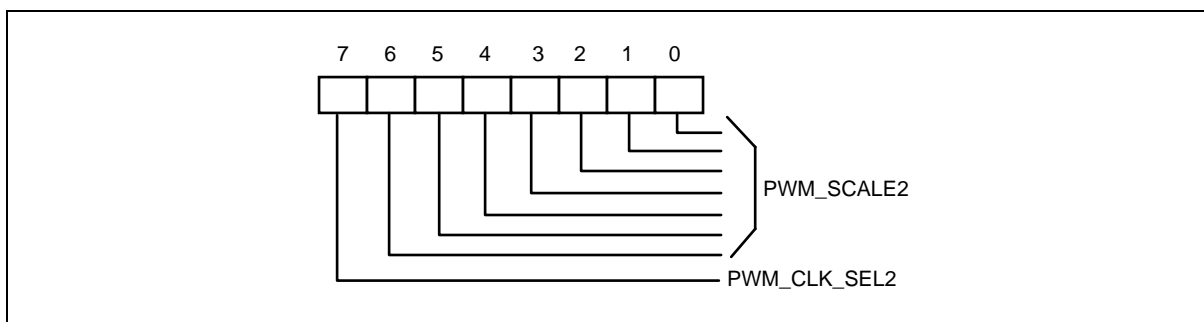
BIT 7	BIT 6	BIT 5	BIT 4	OUTPUT VOLTAGE	BIT 7	BIT 6	BIT 5	BIT 4	OUTPUT VOLTAGE
0	0	0	0	0	1	0	0	0	2.50
0	0	0	1	0.31	1	0	0	1	2.81
0	0	1	0	0.63	1	0	1	0	3.13
0	0	1	1	0.97	1	0	1	1	3.44
0	1	0	0	1.25	1	1	0	0	3.75
0	1	0	1	1.56	1	1	0	1	4.06
0	1	1	0	1.88	1	1	1	0	4.38
0	1	1	1	2.19	1	1	1	1	4.69

Table 7.4 .

**Note.** The accuracy of FANOUT voltage is +/- 0.16 V.

### 14.3 CPUFANOUT PWM Output Frequency Configuration Register - Index 02h

Register Location:                02h  
 Power on Default Value:        01h  
 Attribute:                         Read/Write  
 Size:                                8 bits



**The register is meaningful when CPUFANOUT be programmed as PWM output.**

Bit 7: CPUFANOUT PWM Input Clock Source Select. This bit selects the clock source of PWM output frequency.

Set to 0, select 24 MHz.

Set to 1, select 180 KHz.

Bit 6-0: CPUFANOUT PWM Pre-Scale divider. This is the divider of clock source of PWM output frequency. The maximum divider is 128 (7Fh). This divider should not be set to 0.



01h : divider is 1

02h : divider is 2

03h : divider is 3

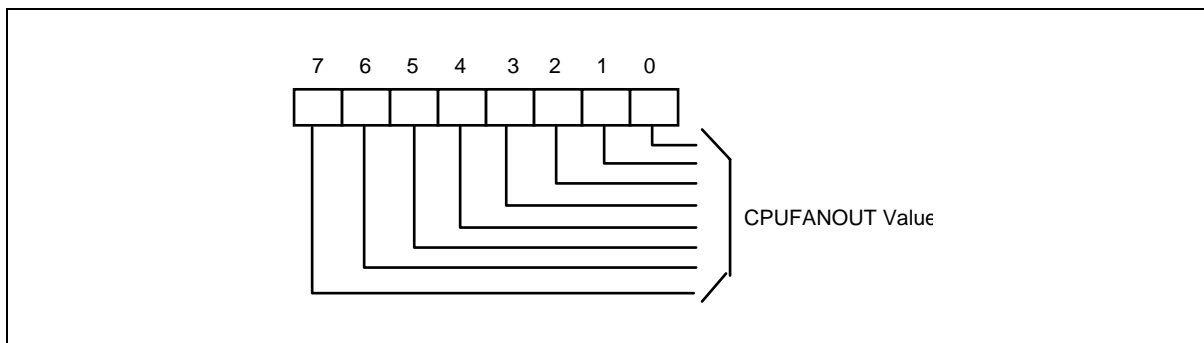
:

:

the formula is 
$$\text{PWM output frequency} = \frac{\text{Input Clock}}{\text{Pre\_Scale Divider}} * \frac{1}{256}$$

#### 14.4 CPUFANOUT Output Value Select Register - Index 03h

Register Location: 03h  
 Power on Default Value: FFh  
 Attribute: Read/Write  
 Size: 8 bits



**(1)If CPUFANOUT be programmed as PWM output (CR[F0h] of LD B bit5 is 1)**

Bit 7-0: CPUFANOUT PWM Duty Cycle. Write FFh, CPUFANOUT duty cycle is 100%. Write 00h, CPUFANOUT duty cycle is 0%.

**Note.** XXh: PWM Duty Cycle output percentage is (XX/255\*100%) during one cycle.

**(2)If CPUFANOUT be programmed as DC Voltage output (CR[F0h] of LD B bit5 is 0)**

Bit 7-4: CPUFANOUT voltage control.

Bit 3-0: Reserved.

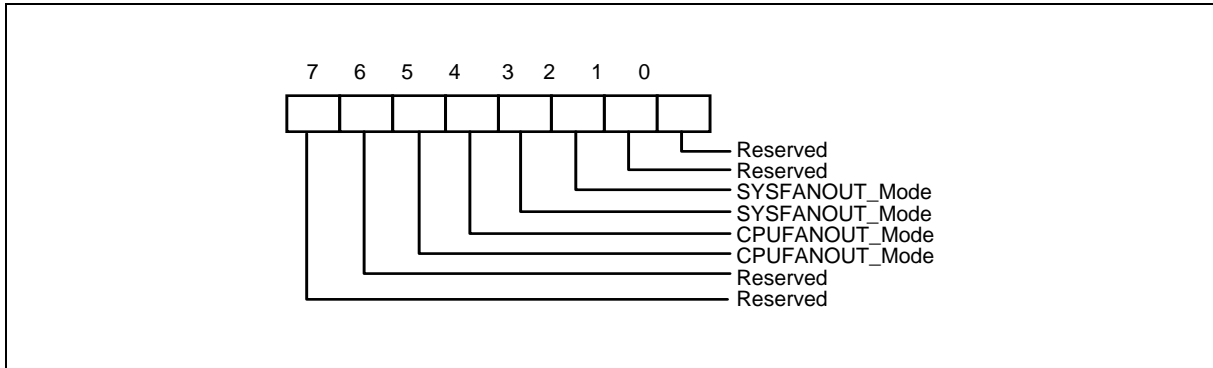
$$\text{OUTPUT Voltage} = AVCC * \frac{FANOUT}{16}$$

**Note.** See the Table 7.4



**14.5 FAN Configuration Register I - Index 04h**

Register Location: 04h  
 Power on Default Value: 00h  
 Attribute: Read/Write  
 Size: 8 bits



Bit 7-6: Reserved.

Bit 5-4: CPUFANOUT mode control.

- Set 00, CPUFANOUT is as Manual Mode. (Default).
- Set 01, CPUFANOUT is as Thermal Cruise Mode.
- Set 10, CPUFANOUT is as Fan Speed Cruise Mode.
- Set 11, reserved and no function.

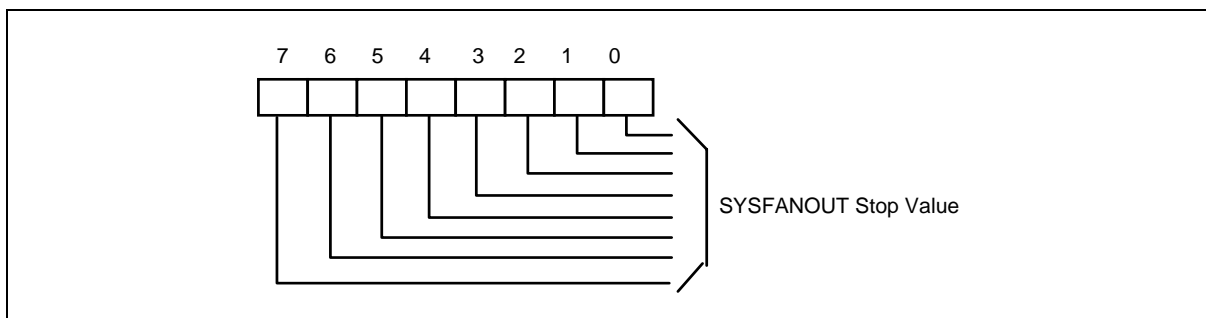
Bit 3-2: SYSFANOUT mode control.

- Set 00, SYSFANOUT is as Manual Mode. (Default).
- Set 01, SYSFANOUT is as Thermal Cruise Mode.
- Set 10, SYSFANOUT is as Fan Speed Cruise Mode.
- Set 11, reserved and no function.

Bit 1-0: Reserved.

**14.6 SYSFANOUT Stop Value Register - Index 08h**

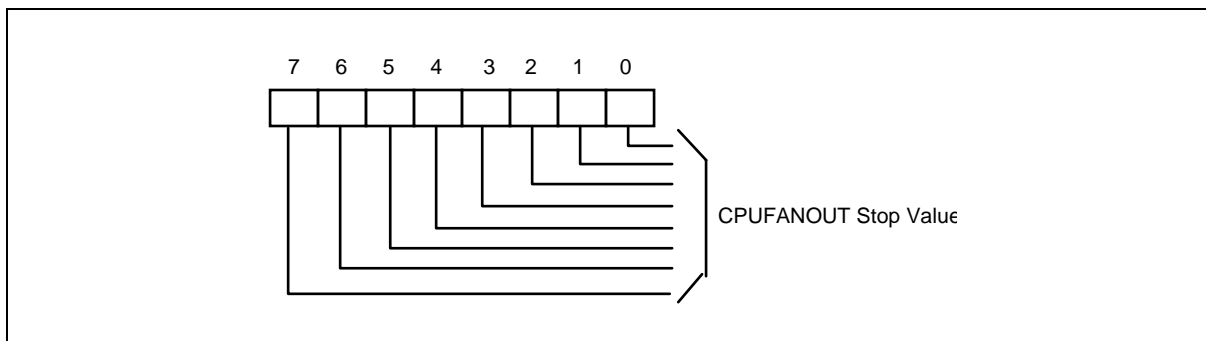
Register Location: 08h  
 Power on Default Value: 01h  
 Attribute: Read/Write  
 Size: 8 bits



When at Thermal Cruise mode, SYSFANOUT value will decrease to this register value. This register should be written a non-zero minimum stop value.

### 14.7 CPUFANOUT Stop Value Register - Index 09h

Register Location: 09h  
 Power on Default Value: 01h  
 Attribute: Read/Write  
 Size: 8 bits

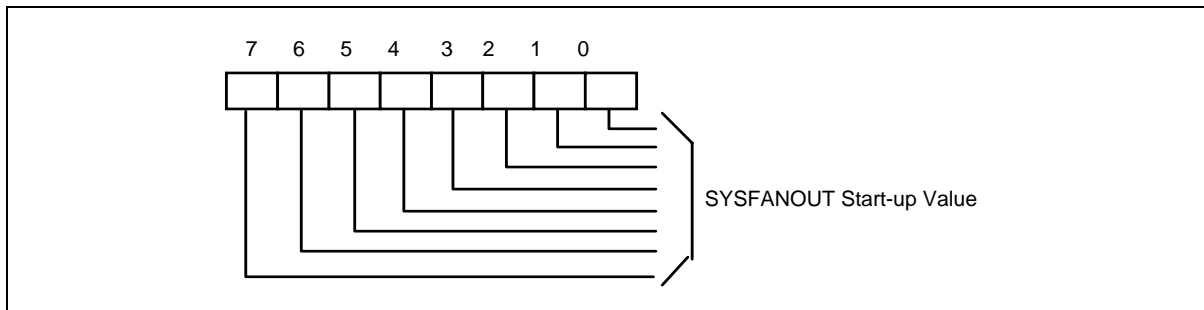


When at Thermal Cruise mode, CPUFANOUT value will decrease to this register value. This register should be written a non-zero minimum stop value.



**14.8 SYSFANOUT Start-up Value Register - Index 0Ah**

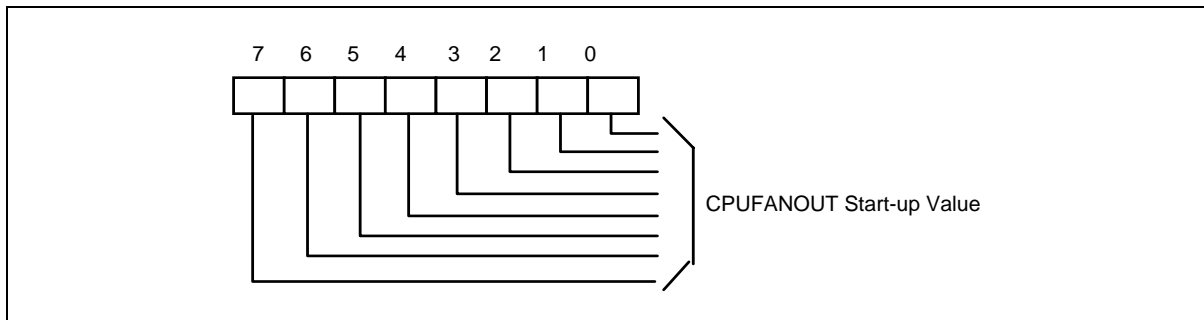
Register Location: 0Ah  
 Power on Default Value: 01h  
 Attribute: Read/Write  
 Size: 8 bits



When at Thermal Cruise mode, SYSFANOUT value will increase from 0 to this register value to provide a minimum value to turn on the fan.

**14.9 CPUFANOUT Start-up Value Register - Index 0Bh**

Register Location: 0Bh  
 Power on Default Value: 01h  
 Attribute: Read/Write  
 Size: 8 bits

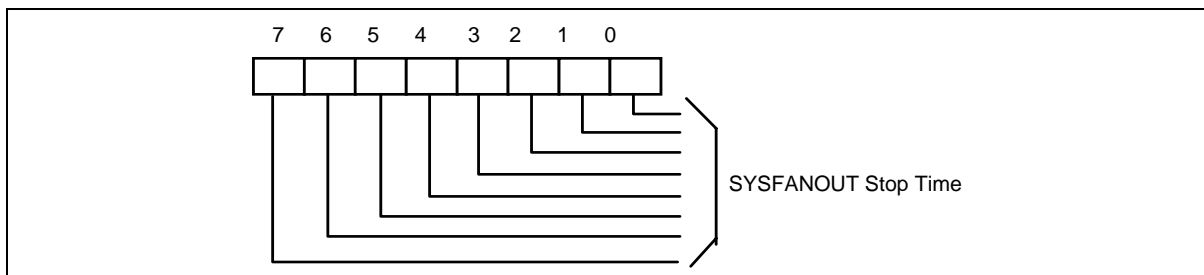


When at Thermal Cruise mode, CPUFANOUT value will increase from 0 to this register value to provide a minimum value to turn on the fan.



**14.10 SYSFANOUT Stop Time Register - Index 0Ch**

Register Location: 0Ch  
 Power on Default Value: 3Ch  
 Attribute: Read/Write  
 Size: 8 bits



When at Thermal Cruise mode, this register determines the time of which SYSFANOUT value is from stop value to 0.

(1)When at PWM output:

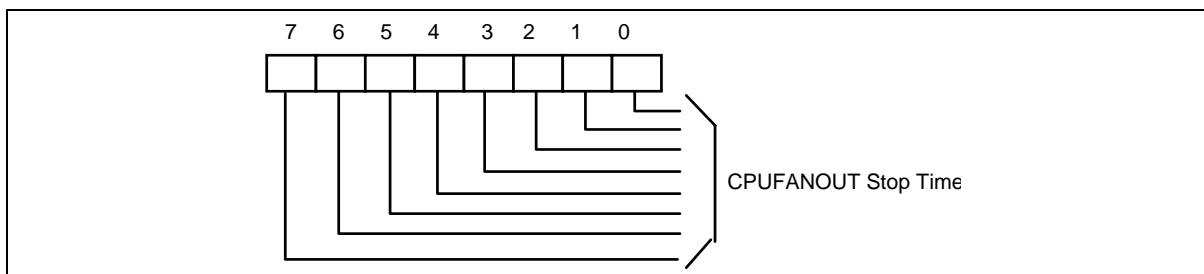
The unit of this register is 0.1 second. The default time is 6 seconds.

(2)When at DC Voltage output:

The unit of this register is 1.6 second. The default time is 96 seconds.

**14.11 CPUFANOUT Stop Time Register - Index 0Dh**

Register Location: 0Dh  
 Power on Default Value: 3Ch  
 Attribute: Read/Write  
 Size: 8 bits



When at Thermal Cruise mode, this register determines the time of which CPUFANOUT value is from stop value to 0.

(1)When at PWM output:

The unit of this register is 0.1 second. The default time is 6 seconds.

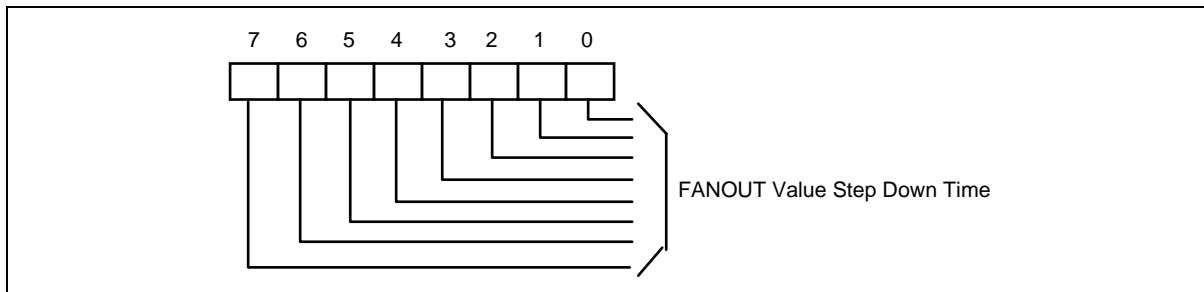
(2)When at DC Voltage output:

The unit of this register is 1.6 second. The default time is 96 seconds.



**14.12 Fan Output Step Down Time Register - Index 0Eh**

Register Location: 0Eh  
 Power on Default Value: 0Ah  
 Attribute: Read/Write  
 Size: 8 bits



This register determines the speed of FANOUT decreasing its value in Smart Fan Control mode.

(1)When at PWM output:

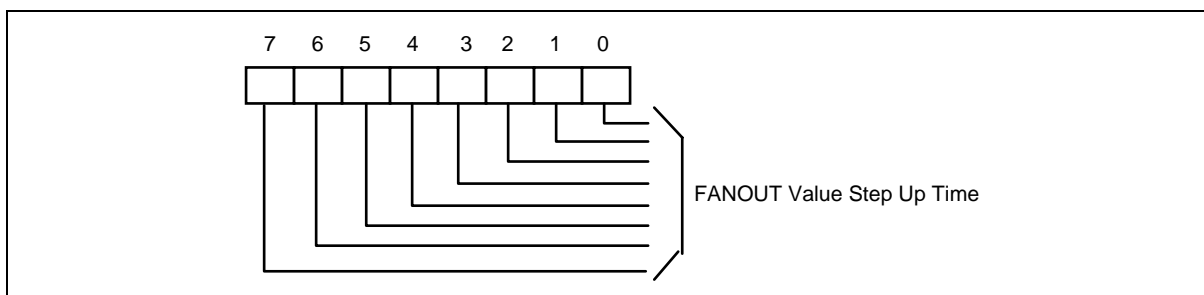
The unit of this register is 0.1 second. The default time is 1 seconds.

(2)When at DC Voltage output:

The unit of this register is 1.6 second. The default time is 16 seconds.

**14.13 Fan Output Step Up Time Register - Index 0Fh**

Register Location: 0Fh  
 Power on Default Value: 0Ah  
 Attribute: Read/Write  
 Size: 8 bits



This register determines the speed of FANOUT increasing the its value in Smart Fan Control mode.

(1)When at PWM output:

The unit of this register is 0.1 second. The default time is 1 seconds.

(2)When at DC Voltage output:

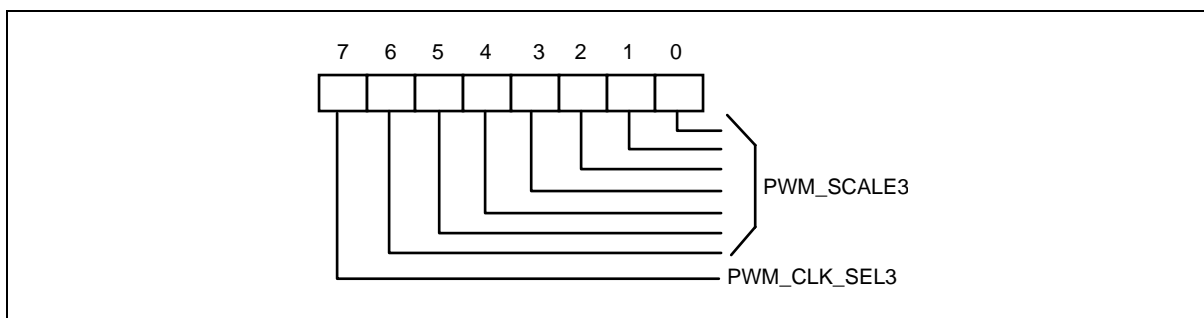
The unit of this register is 1.6 second. The default time is 16 seconds.





**14.14 AUXFANOUT PWM Output Frequency Configuration Register - Index 10h**

Register Location: 10h  
 Power on Default Value: 01h  
 Attribute: Read Only  
 Size: 8 bits



**The register is meaningful when AUXFANOUT be programmed as PWM output.**

Bit 7: AUXFANOUT PWM Input Clock Source Select. This bit selects the clock source of PWM output frequency.

Set to 0, select 24 MHz.

Set to 1, select 180 KHz.

Bit 6-0: AUXFANOUT PWM Pre-Scale divider. This is the divider of clock source of PWM output frequency. The maximum divider is 128 (7Fh). This divider should not be set to 0.

01h : divider is 1

02h : divider is 2

03h : divider is 3

:

:

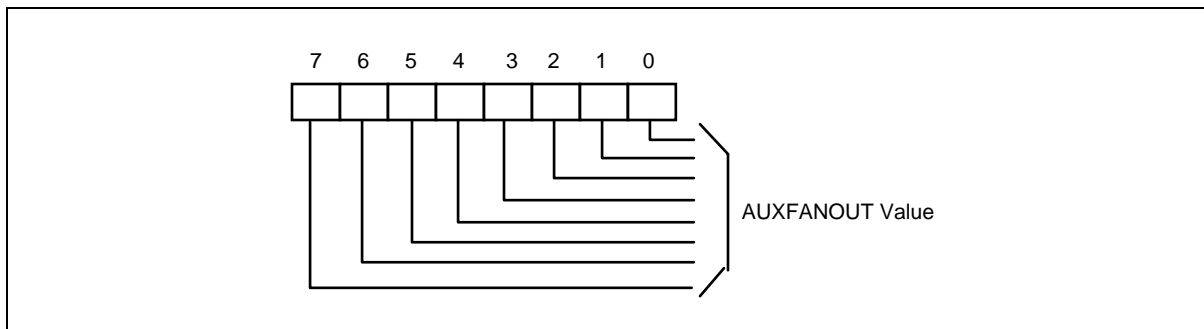
the formula is

$$\text{PWM output frequency} = \frac{\text{Input Clock}}{\text{Pre\_Scale Divider}} * \frac{1}{256}$$



### 14.15 AUXFANOUT Output Value Select Register - Index 11h

Register Location: 11h  
 Power on Default Value: FFh  
 Attribute: Read/Write  
 Size: 8 bits



**(1) If AUXFANOUT be programmed as PWM output (CR[F0h] of LD B bit6 is 1)**

Bit 7-0: AUXFANOUT PWM Duty Cycle. Write FFh, AUXFANOUT duty cycle is 100%. Write 00h, AUXFANOUT duty cycle is 0%.

**Note.** XXh: PWM Duty Cycle output percentage is  $(XX/255 \times 100\%)$  during one cycle.

**(2) If AUXFANOUT be programmed as DC Voltage output CR[F0h] of LD B bit6 is 0)**

Bit 7-4: AUXFANOUT voltage control.

Bit 3-0: Reserved.

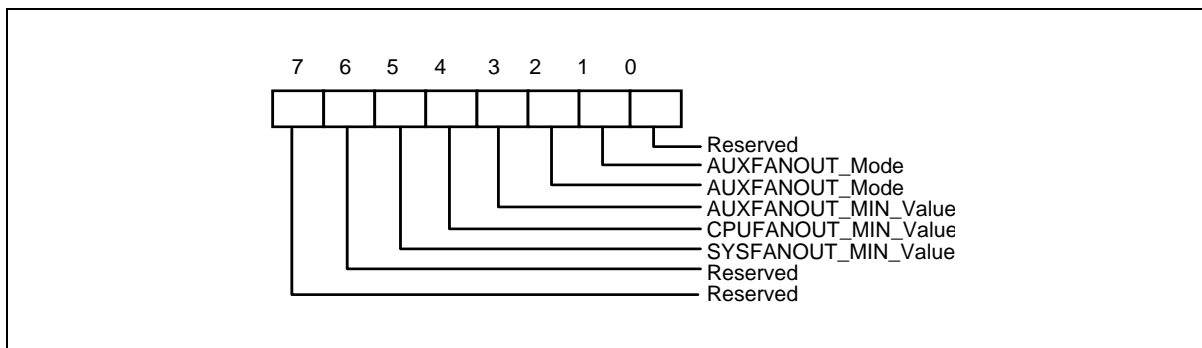
$$\text{OUTPUT Voltage} = AVCC * \frac{FANOUT}{16}$$

**Note.** See the Table 7.4



#### 14.16 FAN Configuration Register II - Index 12h

Register Location: 12h  
 Power on Default Value: 00h  
 Attribute: Read/Write  
 Size: 8 bits



Bit 7-6: Reserved

Bit 5: Set 1, SYSFANOUT value will decrease to and keep the value set in Index 08h when temperature goes below target range. This is to maintain the fan speed in a minimum value.

Set 0, SYSFANOUT value will decrease to 0 when temperature goes below target range.

Bit 4: Set 1, CPUFANOUT value will decrease to and keep the value set in Index 09h when temperature goes below target range. This is to maintain the fan speed in a minimum value.

Set 0, CPUFANOUT value will decrease to 0 when temperature goes below target range.

Bit 3: Set 1, AUXFANOUT value will decrease to and keep the value set in Index 17h when temperature goes below target range. This is to maintain the fan speed in a minimum value.

Set 0, AUXFANOUT value will decrease to 0 when temperature goes below target range.

Bit 2-1: AUXFANOUT mode control.

Set 00, AUXFANOUT is as Manual Mode. (Default).

Set 01, AUXFANOUT is as Thermal Cruise Mode.

Set 10, AUXFANOUT is as Fan Speed Cruise Mode.

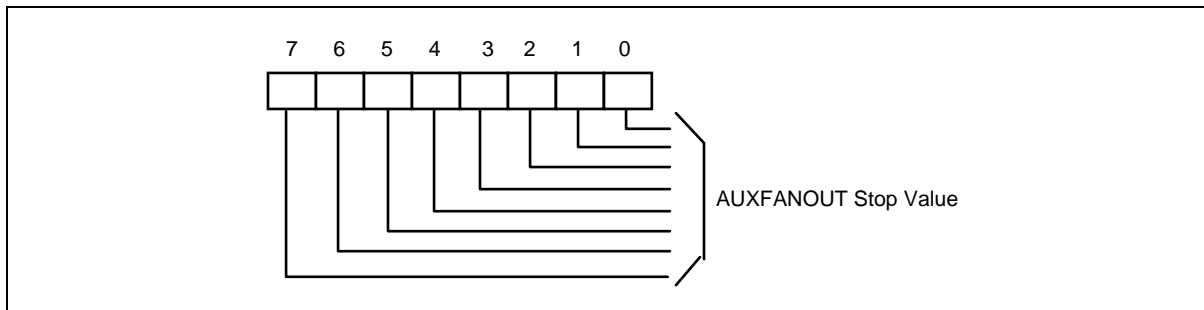
Set 11, reserved and no function.

Bit 0: Reserved.



#### 14.17 AUXFANOUT Stop Value Register - Index 15h

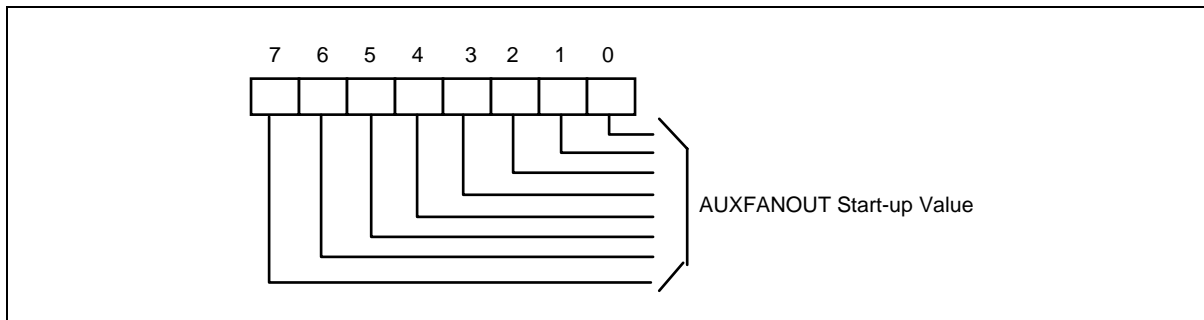
Register Location: 15h  
 Power on Default Value: 01h  
 Attribute: Read/Write  
 Size: 8 bits



When at Thermal Cruise mode, AUXFANOUT value will decrease to this register value. This register should be written a non-zero minimum stop value.

#### 14.18 AUXFANOUT Start-up Value Register - Index 16h

Register Location: 16h  
 Power on Default Value: 01h  
 Attribute: Read/Write  
 Size: 8 bits

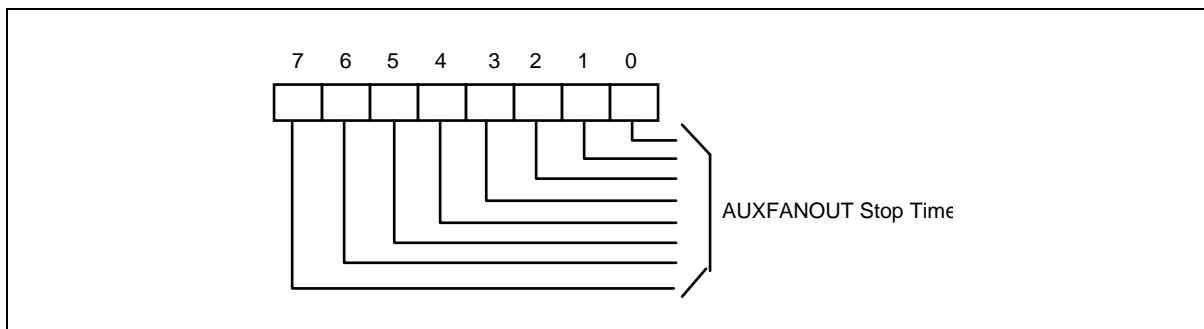


When at Thermal Cruise mode, AUXFANOUT value will increase from 0 to this register value to provide a minimum value to turn on the fan.



**14.19 AUXFANOUT Stop Time Register - Index 17h**

Register Location: 17h  
 Power on Default Value: 3Ch  
 Attribute: Read/Write  
 Size: 8 bits



When at Thermal Cruise mode, this register determines the time of which AUXFANOUT value is from stop value to 0.

(1)When at PWM output:

The unit of this register is 0.1 second. The default time is 6 seconds.

(2)When at DC Voltage output:

The unit of this register is 1.6 second. The default time is 96 seconds.

**W83627THF/W83627THG Application Notice List**

	DATE	VERSION	REMARK
1	03/01/10	APN1	New release for W83627THF.
2	03/04/08	APN2	For W83627THF C version
3	04/01/16	APN3	W83627THF Power On Cycle Issue
4	09/26/2006	APN4	For W83627THF E version

**W83627THF/W83627THG**



### **Important Notice**

**Winbond products are not designed, intended, authorized or warranted for use as components in systems or equipment intended for surgical implantation, atomic energy control instruments, airplane or spaceship instruments, transportation instruments, traffic signal instruments, combustion control instruments, or for other applications intended to support or sustain life. Further more, Winbond products are not intended for applications wherein failure of Winbond products could result or lead to a situation wherein personal injury, death or severe property or environmental damage could occur.**

**Winbond customers using or selling these products for use in such applications do so at their own risk and agree to fully indemnify Winbond for any damages resulting from such improper use or sales.**

---

*Please note that all data and specifications are subject to change without notice.  
All the trademarks of products and companies mentioned in this datasheet belong to their respective owners.*