


8W/7W 9xxnm High Power Single Emitter Laser Diode on C-mount

SECx-9xx-01

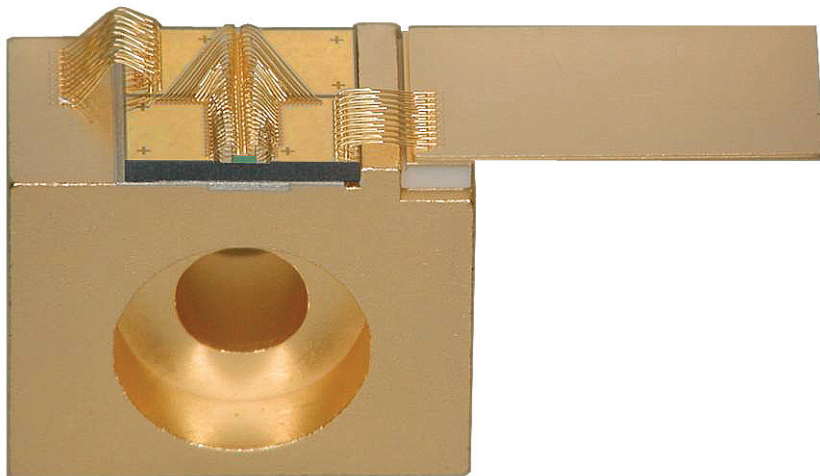
The Bookham SECx-9xx-01 single emitter laser diode series has been designed to provide the high output power, high coupling efficiency and high reliability required for pumping next generation fiber lasers and for other high power laser diode applications. The proprietary E2 front mirror passivation process, developed at our Zurich site, prevents Catastrophic Optical Damage (COD) to the laser diode facet even at extremely high output powers. The single emitter laser diodes are p-side down mounted on a submount that is attached to a C-mount.

Features:

- 3.6mm x 0.4mm laser diode
- 90µm wide emitter
- Cu C-Mount
- 8W/7W operating power (p-side down mounted)
- Highly reliable single quantum well MBE structure
- Standard wavelength at 915, 940, 960, and 975nm (other available on request)
- RoHS compliant 

Applications:

- Fiber laser pumping
- Material processing
- Printing
- Medical



Characteristics

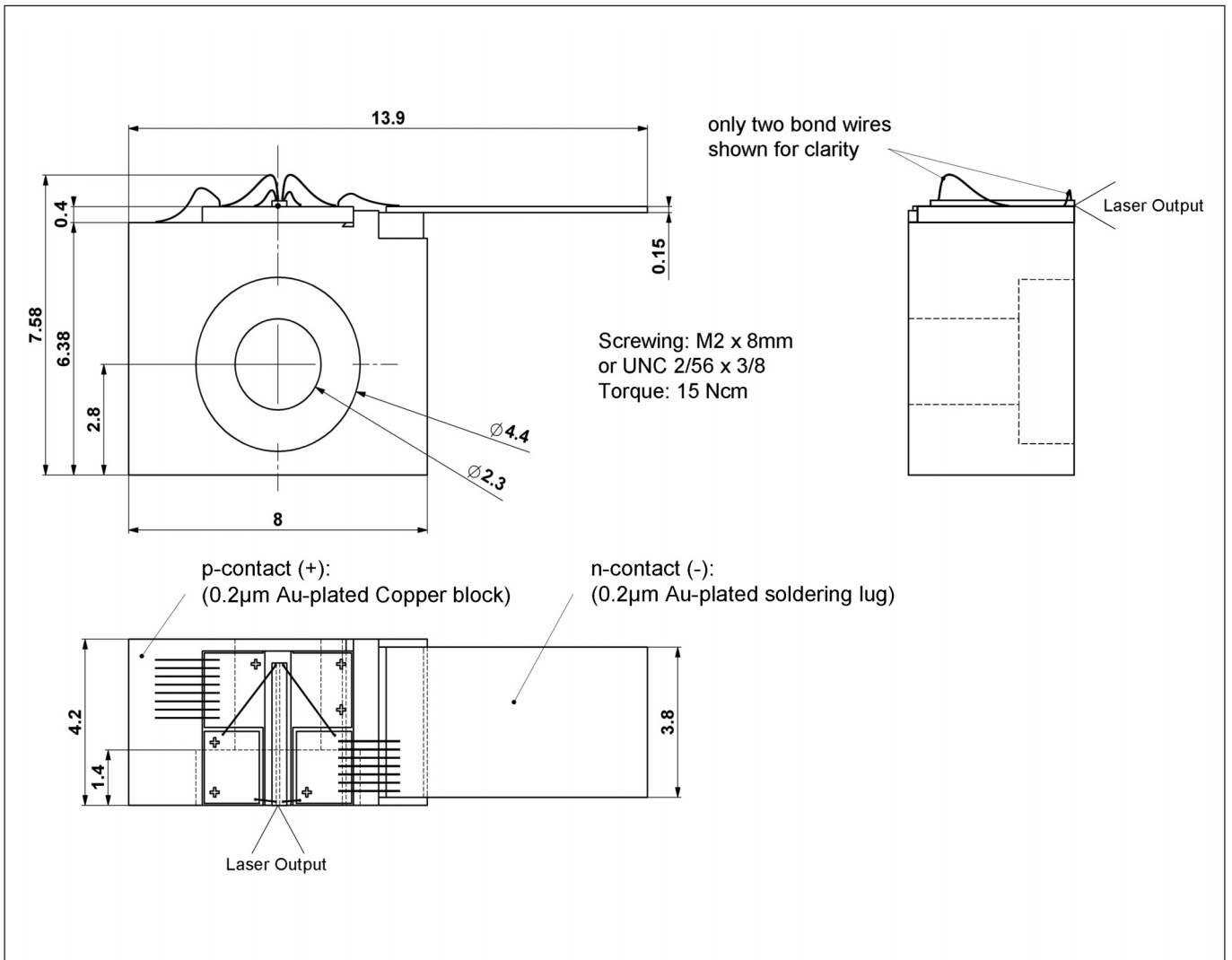
Parameter	Symbol	Typical	Unit
CW Output Power SEC8-915-01 SEC8-940-01 SEC8-960-01 SEC7-975-01	P_{op915} P_{op940} P_{op960} P_{op975}	8 8 8 7	W
Center Wavelength [1] SEC8-915-01 SEC8-940-01 SEC8-960-01 SEC7-975-01	λ_{c915} λ_{c940} λ_{c960} λ_{c975}	915 ± 10 940 ± 10 960 ± 10 975 ± 10	nm
Spectral Width (FWHM)	$\Delta\lambda$	4	nm
Wavelength Shift with Temperature	$d\lambda_c/dT_{op}$	0.3	nm/°C
Beam Divergence (FWHM) Parallel to Junction Perpendicular to Junction	$\theta_{//}$ θ_{\perp}	8 29	deg
Polarization	–	TE	–
Threshold Current	I_{th}	400	mA
Slope Efficiency	$\eta_D = P_{op} / (I_{op} - I_{th})$	1.0	W/A
Conversion Efficiency	$H = P_{op} / (V_{op} \times I_{op})$	> 50	%
Series Resistance	R_s	0.03	Ω
Operating Current SEC8-915-01 SEC8-940-01 SEC8-960-01 SEC7-975-01	I_{op915} I_{op940} I_{op960} I_{op975}	8.5 8.5 8.5 7.5	A
Operating Voltage	V_{op}	1.9	V
Operating Temperature	T_{op}	25 ± 5	°C

[1] Reduced wavelength window/extended range available on request (900-1070nm).

Chip Dimensions

Parameter	Symbol	Typical	Unit
Chip Width	b	400	μm
Resonator Length	l	3600	μm
Chip Thickness	d	150	μm
Emitter Width	w	90	μm

Package Dimensions (mm)



RoHS Compliance



Bookham is fully committed to environment protection and sustainable development and has set in place a comprehensive program for removing polluting and hazardous substances from all of its products. The relevant evidence of RoHS compliance is held as part of our controlled documentation for each of our compliant products. RoHS compliance parts are available to order, please refer to the ordering information section for further details.

Ordering Information:

SEC8-915-01	8W 915nm Single Emitter Laser Diode on C-mount
SEC8-940-01	8W 940nm Single Emitter Laser Diode on C-mount
SEC8-960-01	8W 960nm Single Emitter Laser Diode on C-mount
SEC8-975-01	7W 975nm Single Emitter Laser Diode on C-mount

Contact Information

Bookham (Switzerland) AG

Binzstrasse 17
8045 Zurich
Switzerland

• Tel: +41 44 455 8787
• Fax: +41 44 455 8586

www.bookham.com
highpower@bookham.com

EMEA Sales Contact

Gunnar Stolze
• Tel: +41 79 635 3777

North America Sales Contact

Michael Cutler
• Tel: +1 678 763 0777

ASIA Sales Contact

Patrick Lee
• Tel: +852 9197 7014

Japan Sales Contact

Japan Laser Corporation
• Tel: +813 5285 0861

Important Notice

Performance figures, data and any illustrative material provided in this data sheet are typical and must be specifically confirmed in writing by Bookham before they become applicable to any particular order or contract. In accordance with the Bookham policy of continuous improvement specifications may change without notice. The publication of information in this data sheet does not imply freedom from patent or other protective rights of Bookham or others. Further details are available from any Bookham sales representative.

