

MMBT4403W

PNP GENERAL PURPOSE SWITCHING TRANSISTOR

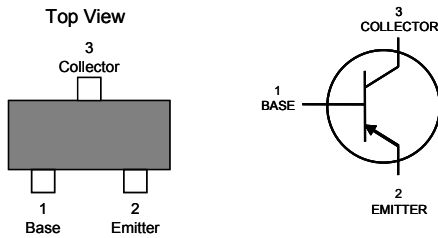
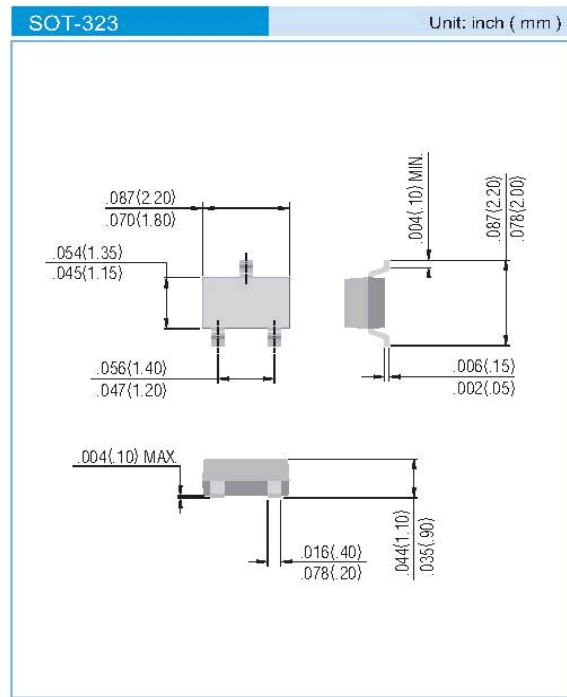
VOLTAGE	40V	POWER	200mW
----------------	------------	--------------	--------------

FEATURES

- PNP epitaxial silicon, planar design
- Collector-emitter voltage $V_{CE} = -40V$
- Collector current $I_C = -600mA$
- Complimentary (NPN) device: MMBT4401W

MECHANICAL DATA

- Case: SOT-323
- Terminals: Solderable per MIL-STD-202, Method 208
- Approx Weight: 0.02 grams
- Marking: M3W



ABSOLUTE MAXIMUM RATINGS

PARAMETER	SYMBOL	VALUE	UNIT
Collector - Emitter Voltage	V_{CE0}	-40	V
Collector - Base Voltage	V_{CB0}	-40	V
Emitter - Base Voltage	V_{EB0}	-5.0	V
Collector Current - Continuous	I_C	-600	mA
Max Power Dissipation (Note 1)	P_{TOT}	200	mW
Junction and Storage Temperature Range	T_J, T_{STG}	-55 to 150	$^{\circ}C$

THERMAL CHARACTERISTICS

PARAMETER	SYMBOL	VALUE	UNIT
Thermal Resistance, Junction to Ambient (Note 1)	$R_{\theta JA}$	625	$^{\circ}C/W$

Note 1: Transistor mounted on FR-5 board 1.0 x 0.75 x 0.062 in. using minimum recommended pad.

MMBT4403W

ELECTRICAL CHARACTERISTICS ($T_j = 25^\circ\text{C}$, unless otherwise noted)

PARAMETER	SYMBOL	Test Condition	MIN.	TYP.	MAX.	UNIT
Collector - Emitter Breakdown Voltage	$V_{(BR)CE0}$	$I_C = -1.0\text{mA}$, $I_B = 0$	-40	-	-	V
Collector - Base Breakdown Voltage	$V_{(BR)CB0}$	$I_C = -100\mu\text{A}$, $I_E = 0$	-40	-	-	V
Emitter - Base Breakdown Voltage	$V_{(BR)EB0}$	$I_E = -100\mu\text{A}$, $I_C = 0$	-5.0	-	-	V
Base Cutoff Current	I_{BEV}	$V_{CE} = -35\text{V}$, $V_{EB} = -0.4\text{V}$	-	-	-100	nA
Collector Cutoff Current	I_{CEX}	$V_{CE} = -35\text{V}$, $V_{EB} = -0.4\text{V}$	-	-	-100	nA
DC Current Gain	h_{FE}	$I_C = -0.1\text{mA}$, $V_{CE} = -1.0\text{V}$	30	-	-	
		$I_C = -1.0\text{mA}$, $V_{CE} = -1.0\text{V}$	60	-	-	
		$I_C = -10\text{mA}$, $V_{CE} = -1.0\text{V}$	100	-	-	
		$I_C = -150\text{mA}$, $V_{CE} = -2.0\text{V}$	100	-	300	
		$I_C = -500\text{mA}$, $V_{CE} = -2.0\text{V}$	20	-	-	
Collector - Emitter Saturation Voltage	$V_{CE(SAT)}$	$I_C = -150\text{mA}$, $I_B = -15\text{mA}$ $I_C = -500\text{mA}$, $I_B = -50\text{mA}$	-	-	-0.4 -0.75	V
Base - Emitter Saturation Voltage	$V_{BE(SAT)}$	$I_C = -150\text{mA}$, $I_B = -15\text{mA}$ $I_C = -500\text{mA}$, $I_B = -50\text{mA}$	-0.75 -	-	-0.95 -1.3	V
Current-Gain – Bandwidth Product	f_T	$I_C = -20\text{mA}$, $V_{CE} = -10\text{V}$, $f = 100\text{MHz}$	200	-	-	MHz
Collector - Base Capacitance	C_{CB0}	$V_{CB} = -5.0\text{V}$, $I_E = 0$, $f = 1\text{MHz}$	-	-	8.5	pF
Emitter - Base Capacitance	C_{EB0}	$V_{CB} = -0.5\text{V}$, $I_C = 0$, $f = 1\text{MHz}$	-	-	30	pF
Delay Time	t_d	$V_{CC} = -30\text{V}$, $V_{BE} = -2.0\text{V}$, $I_C = -150\text{mA}$, $I_{B1} = -15\text{mA}$	-	-	15	ns
Rise Time	t_r		-	-	20	ns
Storage Time	t_s		$V_{CC} = -30\text{V}$, $I_C = -150\text{mA}$,	-	-	225
Fall Time	t_f	$I_{B1} = I_{B2} = 15\text{mA}$	-	-	30	ns

SWITCHING TIME EQUIVALENT TEST CIRCUITS

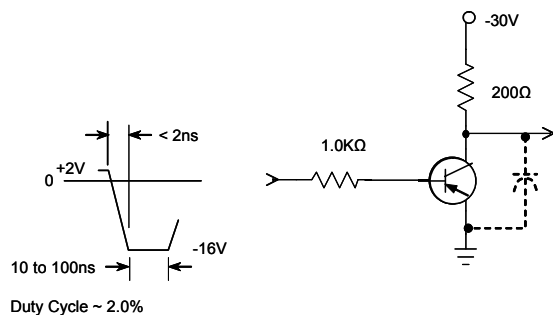


Fig. 1. Turn-On Time

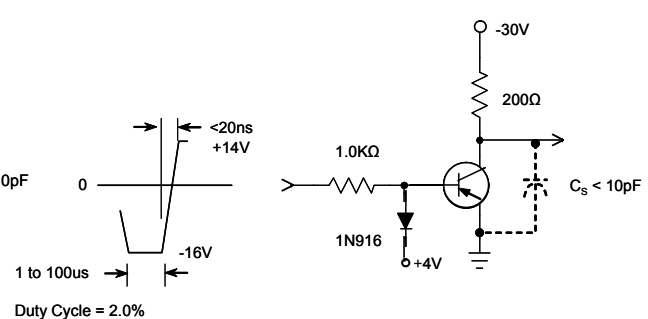


Fig. 2. Turn-Off Time

MMBT4403W

ELECTRICAL CHARACTERISTICS CURVES

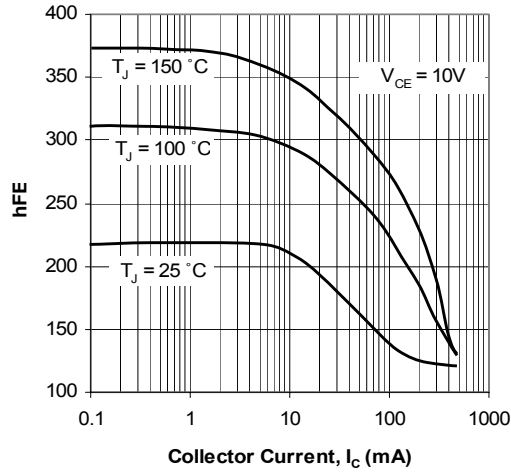


Fig. 3. Typical h_{FE} vs Collector Current

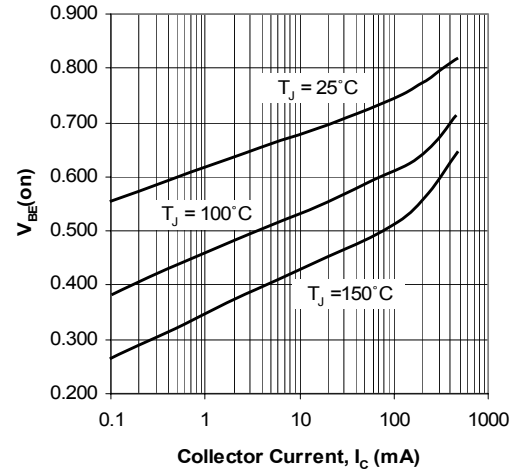


Fig. 4. Typical V_{BE} vs Collector Current

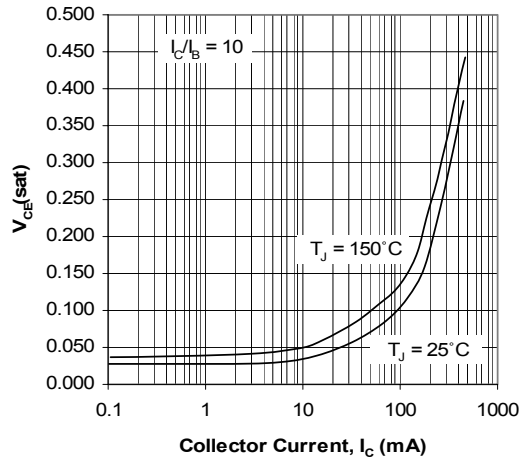


Fig. 5. Typical V_{CE} (sat) vs Collector Current

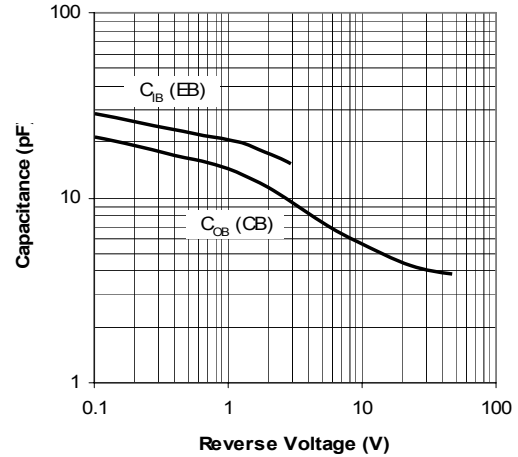
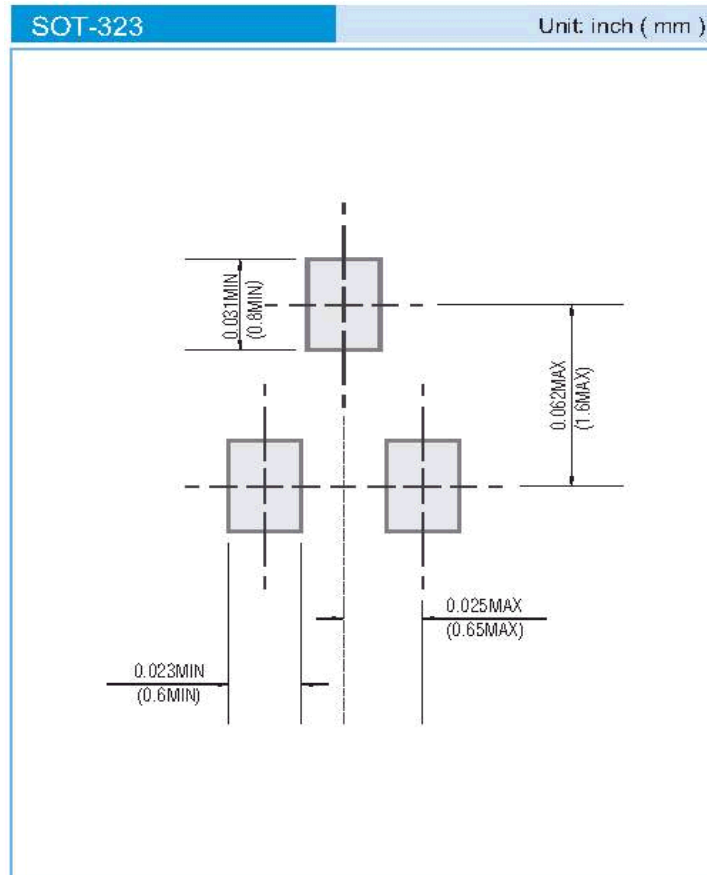


Fig. 6. Typical Capacitances vs Reverse Voltage

MMBT4403W

RECOMMENDED PAD LAYOUT



ORDER INFORMATION

MMBT4403W T/R7 – 7” Reel, 3,000 Units/Reel
 MMBT4403W T/R13 – 13” Reel, 10,000 Units/Reel

Copyright PanJit International, Inc 2005

The information presented in this document is believed to be accurate and reliable. The specifications and information herein are subject to change without notice. PanJit makes no warranty, representation or guarantee regarding the suitability of its products for any particular purpose. PanJit products are not authorized for use in life support devices or systems. PanJit does not convey any license under its patent rights or rights of others.