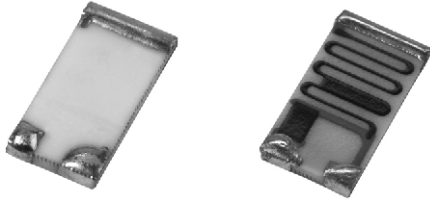


High Voltage Chip Divider



FEATURES

- High voltage up to 3000 volts
- Outstanding Stability
- Typical resistance ratios of 250:1, 500:1, etc
- Flow solderable
- Tape & Reel packaging available
- Top and Wraparound termination
- Nickel Barrier available

ELECTRICAL SPECIFICATIONS

Resistance range: 1 MΩ to 20 GΩ

Resistance tolerance: ± 1 % to ± 20 %

Power rating: See table

Voltage coefficient: See table

Temperature coefficient: See table

Ratio tracking: See table

MECHANICAL SPECIFICATIONS

Construction: 96 % alumina substrate with proprietary cermet resistance element and specified termination material.

ENVIRONMENTAL SPECIFICATIONS

Operating temperature: - 55 °C to + 150 °C

Life: Less than 0.5 % change when tested at full rated power (Reference only: Not for all values specified. Consult factory for value.)

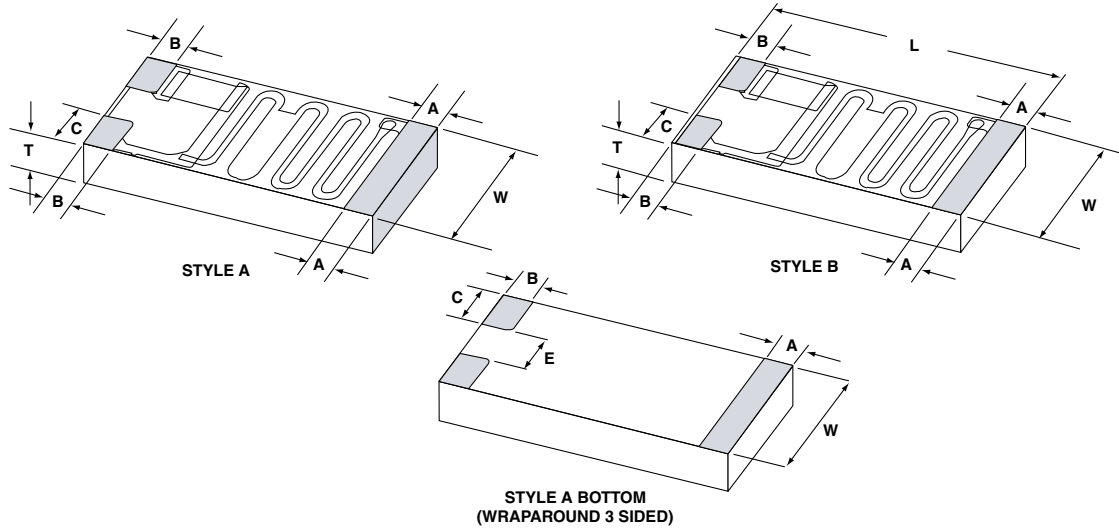
STANDARD ELECTRICAL SPECIFICATIONS		
RESISTANCE (OHMS)	POWER RATING (MW)	VOLTAGE RATING (V MAX)
20 M - 20 G	Contact Factory	3000

VOLTAGE & TEMPERATURE COEFFICIENTS OF RESISTANCE CHART TYPICAL			
RESISTANCE (OHMS)	RATIO (TYPICAL)	VCR (PPM/V)	TCR (PPM/°C) - 55 °C to + 150 °C
20 M	250:1	5	260
150 M	300:1	5	80
800 M	300:1	10	50
20 G	700:1	90	160

RATIO TRACKING (PPM/°C)			
RESISTANCE (OHMS)	RATIO (TYPICAL)	COLD (+ 25 °C to - 50 °C)	HOT (+ 25 °C to + 150 °C)
20 M	250:1	5	260
150 M	300:1	5	80
800 M	300:1	10	50
20 G	700:1	90	160

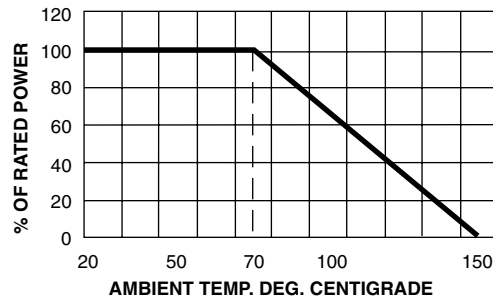
*** Contact Factory for other Ratio's

DIMENSIONAL CONFIGURATIONS in inches [millimeters]



TERMINATION	LENGTH (L) ± 0.006 [0.152]	WIDTH (W) ± 0.006 [0.152]	THICKNESS (T) ± 0.002 [0.051]	A ± 0.005	B ± 0.005	C ± 0.005	E ± 0.005
STYLE A (Wraparound 3 Sided)	0.250	0.126	0.025	0.025	0.025	0.040	0.046
STYLE B (Top only)	0.240	0.126	0.025	0.025	0.025	0.040	-

DERATING CURVE



(Reference only: Not for all values specified. Consult factory for your size and value.)

ORDERING INFORMATION

MODEL	TERMINATION STYLE	TERMINATION MATERIAL	VALUE R1	ABSOLUTE TOLERANCE	RATIO R1/R2	RATIO TOLERANCE	TERMINATION MATERIAL
CDHV2512	A	A	2005	J	2500	G	e1
A = Wraparound B = Top only		A = Palladium Silver B = Platinum Gold C = Gold D = Platinum Silver E = Palladium Gold F = Nickel Barrier	Resistance Value of R1: The first 3 digits are significant. The last digit specifies the number of zeros to follow.	F = 1 % G = 2 % H = 3 % J = 5 % K = 10 % M = 20 %	The first 3 digits are significant. The last digit specifies the number of zeros to follow.	F = 1 % G = 2 % H = 3 % J = 5 %	S2 = Sn62 e1 = Sn95/5



Notice

Specifications of the products displayed herein are subject to change without notice. Vishay Intertechnology, Inc., or anyone on its behalf, assumes no responsibility or liability for any errors or inaccuracies.

Information contained herein is intended to provide a product description only. No license, express or implied, by estoppel or otherwise, to any intellectual property rights is granted by this document. Except as provided in Vishay's terms and conditions of sale for such products, Vishay assumes no liability whatsoever, and disclaims any express or implied warranty, relating to sale and/or use of Vishay products including liability or warranties relating to fitness for a particular purpose, merchantability, or infringement of any patent, copyright, or other intellectual property right.

The products shown herein are not designed for use in medical, life-saving, or life-sustaining applications. Customers using or selling these products for use in such applications do so at their own risk and agree to fully indemnify Vishay for any damages resulting from such improper use or sale.