



# TMX W365

SAW Bandpass Filter – WCDMA Rx – RF  
*Specification (Rev 1)*

---

▣ Features.....	P01
▣ Package Drawing & Pin out.....	P01
▣ Technical Characteristics .....	P02
▣ Matching Network.....	P02
▣ Nominal Response.....	P03
▣ Maximum Ratings.....	P04
▣ Marking & Packaging .....	P04

# TMX W365

## SAW Bandpass Filter – WCDMA Rx – RF

Specification (Rev 1)

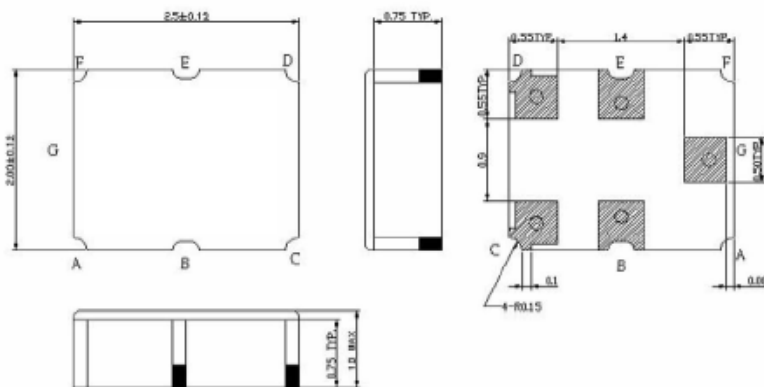
October 25<sup>th</sup>, 2005

### Features

- ❑ Rx Filter for WCDMA
- ❑ 2140 MHz Center Frequency
- ❑ 60 MHz useable Passband
- ❑ 50 Ohms Single Input / 200 Ohms Balanced Configuration
- ❑ Ceramic Package for Surface Mounted Technology

### Package Drawing & Pin out

The product is in conformance with the European RoHs Regulation 2002/95.



Pin Configuration	
Input	G
Output	C, D
Case ground	A, B, E, F

# TMX W365

## SAW Bandpass Filter – WCDMA Rx – RF

Specification (Rev 1)

October 25<sup>th</sup>, 2005

### Technical Characteristics

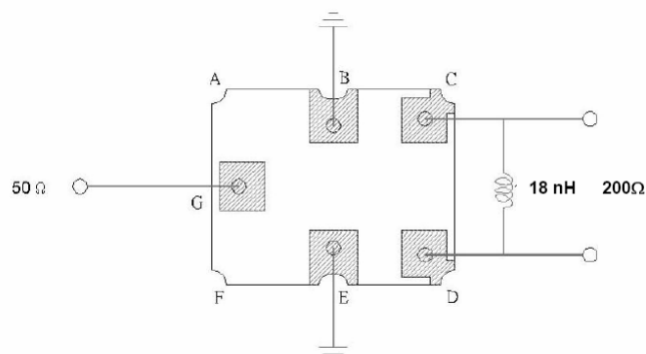
Reference Temperature : +25°C

Electrical Parameters	Unit	Minimum	Typical <sup>(1)</sup>	Maximum
Source Impedance (single ended)	Ω	-	50	-
Load Impedance (balanced drive)	Ω	-	200 <sup>(2)</sup>	-
Center Frequency fo	MHz	-	2140	-
Bandwidth at -3 dB	MHz	60	-	-
<b>Absolute attenuation</b>				
180 MHz to 200 MHz	dB	60	85	-
200 MHz to 1000 MHz	dB	50	58	-
1000 MHz to 1880 MHz	dB	29	36	-
1880 MHz to 1980 MHz	dB	26	32	-
1980 MHz to 2050 MHz	dB	22	28	-
2050 MHz to 2255 MHz	dB	13	20	-
2255 MHz to 2300 MHz	dB	19	25	-
2300 MHz to 2490 MHz	dB	22	26	-
2490 MHz to 2550 MHz	dB	30	39	-
2550 MHz to 3200 MHz	dB	32	36	-
3200 MHz to 6000 MHz	dB	38	49	-
Insertion Loss within 2110 MHz ~ 2170 MHz	dB	-	3.1	4.1
<b>Symmetry in band (referenced to the matched operating condition)</b>				
Output amplitude balance ( S31 / S21 ) within 2110 MHz ~ 2170 MHz	dB	-2.9	0	1.4
Output phase balance (∠(S31) - ∠(S21)+180°) within 2110 MHz ~ 2170 MHz	degree	-10	0	15
Input VSWR within 2110 MHz ~ 2170 MHz		-	1.7	2.4
Output VSWR within 2110 MHz ~ 2170 MHz		-	1.8	2.4
Ripple within 2110 MHz ~ 2170 MHz	dB	-	0.9	1.8

Notes :

- (1) Typical values are nominal performances at room temperature.
- (2) External matching network is required.
- (3) The amplitude variation is defined as the maximum level – minimum level over the given bandwidth.

### Matching Network



# TMX W365

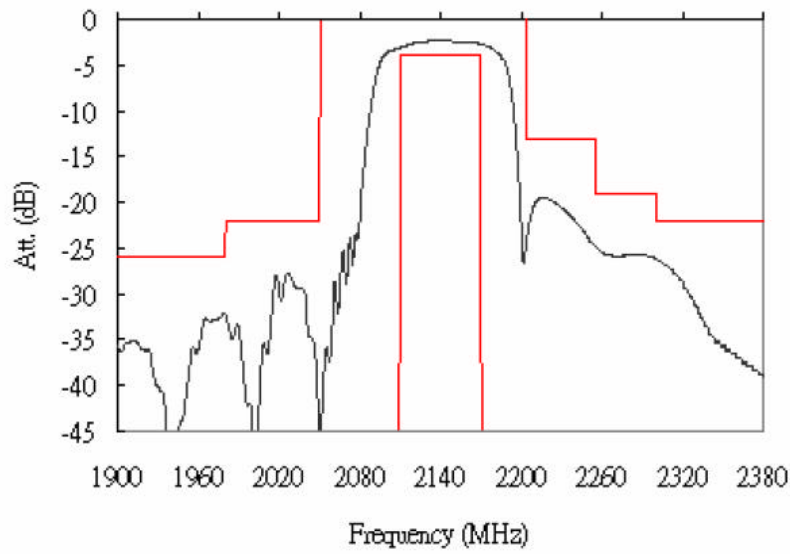
## SAW Bandpass Filter – WCDMA Rx – RF

Specification (Rev 1)

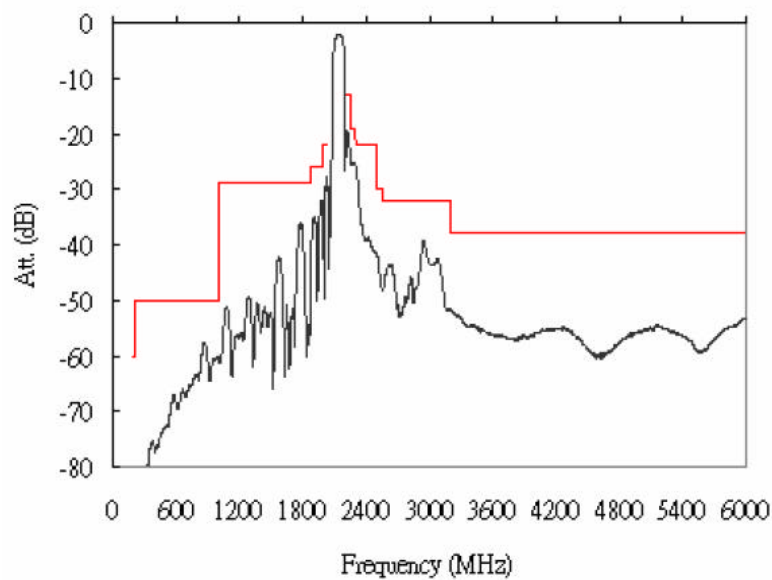
October 25<sup>th</sup>, 2005

**Nominal Frequency Response (Measurements)**

**Frequency Response**



**Frequency Response**



# TMX W365

## SAW Bandpass Filter – WCDMA Rx – RF

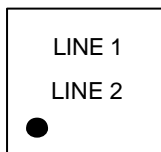
Specification (Rev 1)

October 25<sup>th</sup>, 2005

**Maximum Ratings**

Operating Temperature Range	°C	[-25°C ; +85°C]
Storage Temperature Range	°C	[-40°C ; +85°C]

**Marking**



Line 1: “P C” with P for the code product identification and C for the partner identifier  
 Line 2: “Y W” with Y for the last digit of the year and W for the week code (A to Z for the week 1 to 26 and a to z for the week 27 to 52).

**Packaging**

1. Temex label
2. ESD Prevention label
3. Pb free label (if applicable)

