

TOSHIBA Bipolar Linear Integrated Circuit Silicon Monolithic

# TA1318AFG

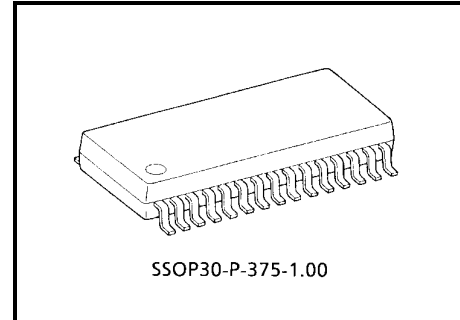
## SYNC Processor, Frequency Counter IC for TV Component Signals

TA1318AFG is a sync processor for TV component signals.

TA1318AFG provides sync and frequency counter processing for external input signals.

These functions are integrated in a 30 pin SSOP-type plastic package.

TA1318AFG provides I<sup>2</sup>C bus interface, so various functions and controls are adjustable via the bus.

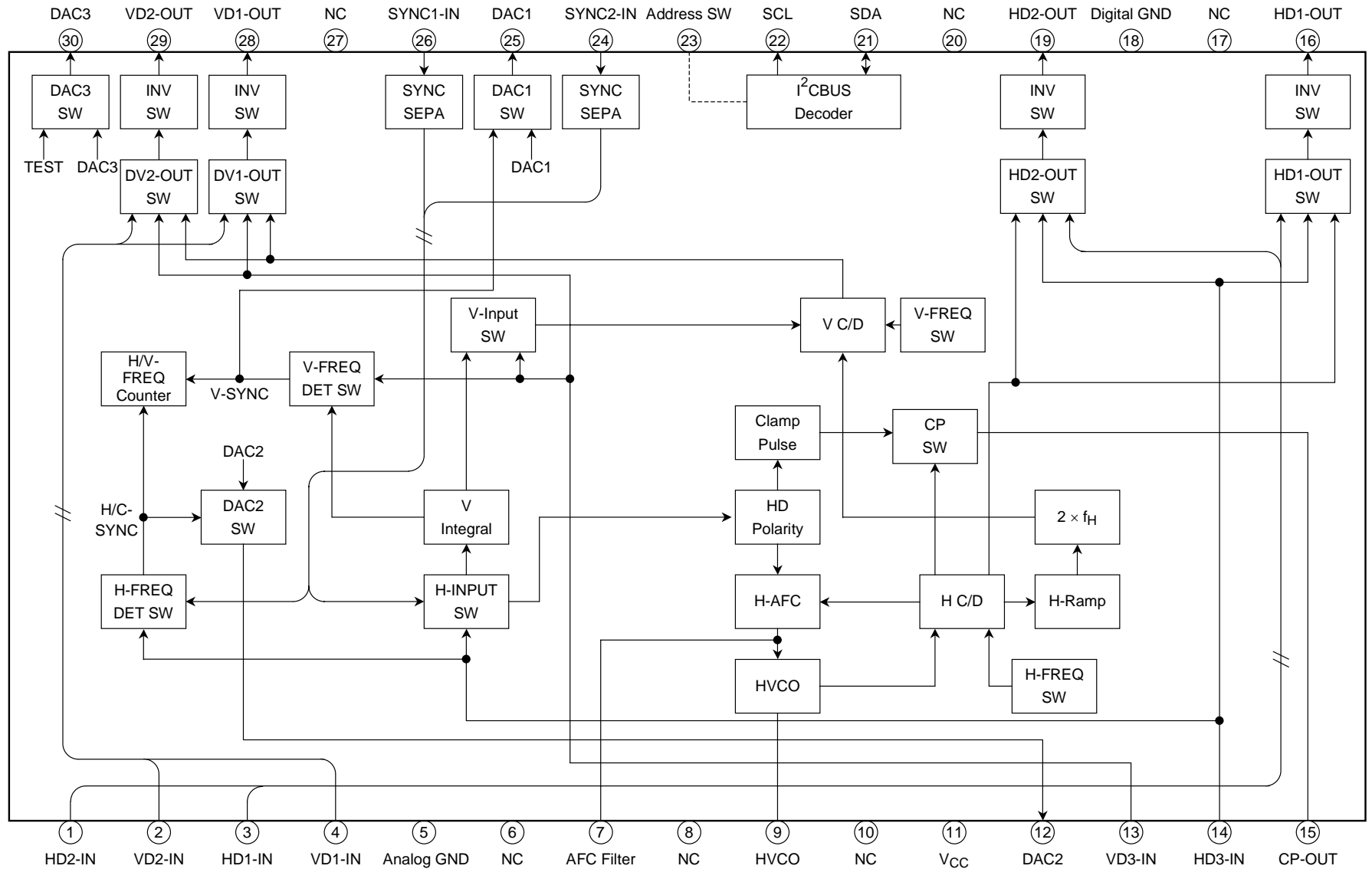


Weight: 0.63 g (typ.)

### Features

- Horizontal synchronization circuit (15.75 kHz, 31.5 kHz, 33.75 kHz, 45 kHz)
- Vertical synchronization circuit (525I, 525P, 625I, 750P, 1125I, 1125P, PAL 100 Hz, NTSC 120 Hz)
- Horizontal and vertical frequency counter
- Horizontal PLL
- Accepts 2-level and 3-level sync
- Accepts both negative and positive HD and VD
- Clamp pulse output
- HD, VD output (polarity inverter)
- Separated sync output
- Mask for the copy guard signal

**Block Diagram**



## Pin Functions

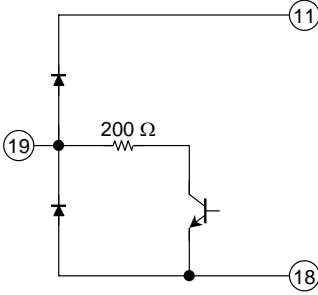
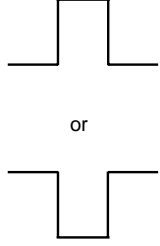
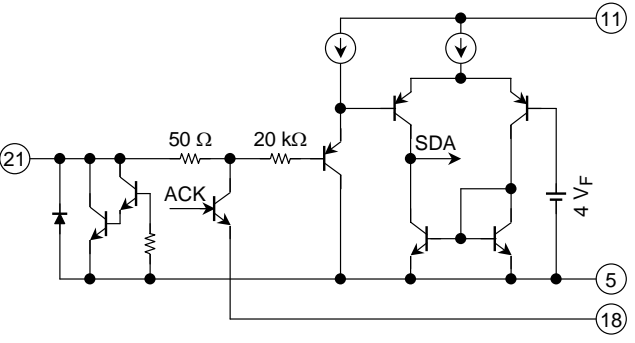
Pin No.	Pin Name	Function	Interface Circuit	Input Signal/Output Signal
1	HD2-IN	<p>Input horizontal sync signal.</p> <p>It accepts input of both positive and negative polarity.</p> <p>Input signal from this pin is not synchronized.</p>		
2	VD2-IN	<p>Input vertical sync signal.</p> <p>It accepts input of both positive and negative polarity.</p> <p>Input signal from this pin is not synchronized.</p>		

Pin No.	Pin Name	Function	Interface Circuit	Input Signal/Output Signal
3	HD1-IN	Input horizontal sync signal. It accepts input of both positive and negative polarity. Input signal from this pin is not synchronized.		
4	VD1-IN	Input vertical sync signal. It accepts input of both positive and negative polarity. Input signal from this pin is not synchronized.		
5	Analog GND	GND pin for analog circuit blocks.	—	—
6	N.C.	Connect to GND.	—	—

Pin No.	Pin Name	Function	Interface Circuit	Input Signal/Output Signal
7	AFC Filter	Connect filter for horizontal AFC. Voltage on this pin determines horizontal output frequency.		DC
8	N.C.	Connect to GND.	—	—
9	HVCO	Connect ceramic oscillator for horizontal oscillation. Use Murata CSBLA503KECZF30.		—
10	N.C.	Connect to GND.	—	—
11	V <sub>CC</sub>	V <sub>CC</sub> pin. Connect 9 V (typ.).	—	—

Pin No.	Pin Name	Function	Interface Circuit	Input Signal/Output Signal
12	DAC2 (H/C. SYNC output)	<p>DAC2 output pin.</p> <p>In Test mode, it outputs HD or composite sync signal to frequency counter.</p> <p>To improve the driving ability, it is possible to connect a resistor (minimum: 2 k<math>\Omega</math>) between this pin and GND. However, when the resistor is added, the output DC voltage is down.</p>		<p>DC or H/C SYNC</p>
13	VD3-IN	<p>Input vertical sync signal.</p> <p>It accepts input of both positive and negative polarity.</p>		
14	HD3-IN	<p>Input horizontal sync signal.</p> <p>It accepts input of both positive and negative polarity.</p>		

Pin No.	Pin Name	Function	Interface Circuit	Input Signal/Output Signal
15	CP-OUT	Clamp pulse (CP) output pin. It outputs CP generated by sync circuit.		
16	HD1-OUT	HD output pin. Open collector output. HD1/HD2 input signals are output from this pin without synchronization. Polarity is switched by BUS write function.		
17	N.C.	Connect to GND.	—	—
18	Digital GND	GND pin for logic blocks.	—	—

Pin No.	Pin Name	Function	Interface Circuit	Input Signal/Output Signal
19	HD2-OUT	HD output pin. Open collector output. HD1/HD2 input signals are output from this pin without synchronization. Polarity is switched by BUS write function.		
20	N.C.	Connect to GND.	—	—
21	SDA	SDA pin for I <sup>2</sup> C bus.		—



Pin No.	Pin Name	Function	Interface Circuit	Input Signal/Output Signal										
22	SCL	SCL pin for I <sup>2</sup> C bus.		—										
23	Address SW	Slave address switch pin. When this pin is connected to V <sub>CC</sub> (GND), used for DC/DD <sub>H</sub> (D8/D9 <sub>H</sub> ); when left open, DA/DB <sub>H</sub> .		<table border="0"> <tr> <td>—————</td> <td>9 V</td> </tr> <tr> <td>DC/DD</td> <td>7.5 V</td> </tr> <tr> <td>DA/DB</td> <td></td> </tr> <tr> <td>—————</td> <td>1.5 V</td> </tr> <tr> <td>D8/D9</td> <td>0 V</td> </tr> </table>	—————	9 V	DC/DD	7.5 V	DA/DB		—————	1.5 V	D8/D9	0 V
—————	9 V													
DC/DD	7.5 V													
DA/DB														
—————	1.5 V													
D8/D9	0 V													

Pin No.	Pin Name	Function	Interface Circuit	Input Signal/Output Signal
24	SYNC2-IN	Input Y signal (Note 1) for sync separation circuit. Input via clamp capacitor.		<p>White 100% = 1 V<sub>p-p</sub></p> <p>or</p>
25	DAC1 (V SYNC output)	DAC1 output pin. In Test mode, it outputs VD or composite sync signal to frequency counter. To improve the driving ability, it is possible to connect a resistor (minimum: 2 kΩ) between this pin and GND. However, when the resistor is added, the output DC voltage is down.		<p>DC or V SYNC</p> <p>7 V 0 V</p>

Note 1: The signal format for SYNC1-IN (pin 26) and SYNC2-IN (pin 24)

NTSC (525I/60 Hz), PAL/SECAM (625I/50 Hz), NTSC Double Scan (525I/120 Hz), PAL/SECAM Double Scan (625I/100 Hz), 525P/60 Hz, 750P/60 Hz, 1125I/60 Hz, 1125P/30 Hz

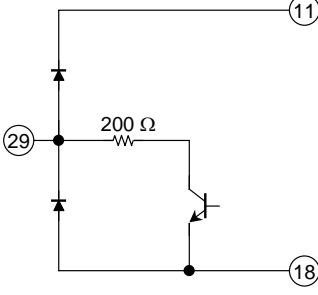
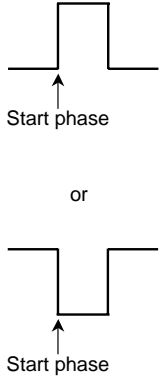
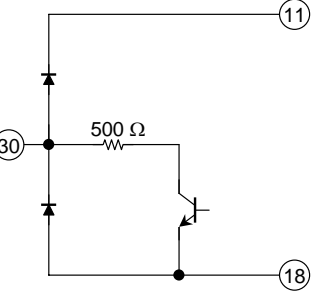
This IC doesn't have the sync-separation circuit for non-standard signals like weak strength signal, ghost signal and so on.

Pin No.	Pin Name	Function	Interface Circuit	Input Signal/Output Signal
26	SYNC1-IN	Input Y signal (Note 1) for sync separation circuit. Input via clamp capacitor.		White 100% = 1 V <sub>p-p</sub> 
27	N.C.	Connect to GND.	—	—
28	VD1-OUT	VD output pin. Open collector output. VD1/VD2 input signals are output from this pin without synchronization. Polarity is switched by BUS write function.  (Note) When HD PHASE will be changed, synchronized VD width will change. Use the start phase of VD.		

Note 1: The signal format for SYNC1-IN (pin 26) and SYNC2-IN (pin 24)

NTSC (525I/60 Hz), PAL/SECAM (625I/50 Hz), NTSC Double Scan (525I/120 Hz), PAL/SECAM Double Scan (625I/100 Hz), 525P/60 Hz, 750P/60 Hz, 1125I/60 Hz, 1125P/30 Hz

This IC doesn't have the sync-separation circuit for non-standard signals like weak strength signal, ghost signal and so on.

Pin No.	Pin Name	Function	Interface Circuit	Input Signal/Output Signal
29	VD2-OUT	<p>VD output pin. Open collector output. VD1/VD2 input signals are output from this pin without synchronization. Polarity is switched by BUS write function. (Note) When HD PHASE will be changed, synchronized VD width will change. Use the start phase of VD.</p>		
30	DAC3	<p>DAC3 output pin. Open collector output. In Test mode, outputs test pulse for shipping.</p>		<p>DC or test pulse for shipping</p>

## Bus Control Map

### Write Mode

Slave Address: D8/DA/DC<sub>H</sub>

Sub-Add	D7	D6	D5	D4	D3	D2	D1	D0	Preset		
	MSB							LSB	MSB	LSB	
00	H-FREQUENCY		HD1/VD1-OUT SW		HD2/VD2-OUT SW		SEPA LEVEL			1000	0000
01	DAC1		DAC2		DAC3	TEST	HD1-INV	HD2-INV	1000	0000	
02	V-FREQUENCY			CLP-PHS	FREQ DET SW		INPUT SW			1000	0000
03	HD PHASE						VD1-INV	VD2-INV	1000	0000	

### Read Mode

Slave Address: D9/DB/DD<sub>H</sub>

	D7	D6	D5	D4	D3	D2	D1	D0
	MSB							LSB
0	POR	V FREQUENCY DET						
1	HD-IN	H FREQUENCY DET						

## Bus Control Functions

### Write Mode (\*: Preset)

- H-FREQUENCY (Horizontal oscillation frequency)**  
 Switches horizontal frequency.  
 (00): 15.75 kHz    (01): 31.5 kHz    \*(10): 33.75 kHz    (11): 45 kHz  
 Note: To prevent a horizontal mislock, set (10) 33.75 kHz mode just before (01) 31.5 kHz mode setting when the horizontal frequency mode is switched to (01) 31.5 kHz mode.(wait time: 1 ms or more)  
 Additionally, in 31.5 kHz mode, set (10) 33.75 kHz mode at first and set (01) 31.5 kHz mode again, when 525 p/625 p signal is pulled-in again from no-input.
- HD1/VD1-OUT SW (HD1/VD1 output switch)**  
 Switches output from pin 16/28. When set to 00, 01, or 10, outputs HD/VD without synchronization. When set to 11, outputs HD/VD from the sync circuit. (Note) Synchronized VD width will change, when HD PHASE will be changed.  
 \*(00): HD1/VD1    (01): HD2/VD2    (10): HD3/VD3    (11): Synchronized HD/VD
- HD2/VD2-OUT SW (HD2/VD2 output switch)**  
 Switches output from pin 19/29. When set to 00, 01, or 10, outputs HD/VD without synchronization. When set to 11, outputs HD/VD from the sync circuit. (Note) Synchronized VD width will change, when HD PHASE will be changed.  
 \*(00): HD1/VD1    (01): HD2/VD2    (10): HD3/VD3    (11): Synchronized HD/VD
- SEPA LEVEL (Sync separation level switch)**  
 Switches sync separation level of pin 24/26. Set values are the levels from sync tip. Sync separation level is changed according to the ratio of H-SYNC width during 1H period.  
 \*(00): 10IRE    (01): 15IRE    (10): 20IRE    (11): 25IRE (at 1125I/60)
- DAC1 (DAC1 control)**  
 Controls 2-bit DAC (pin 12).  
 (00): 1 V    (01): 3 V    \*(10): 5 V    (11): 7 V
- DAC2 (DAC2 control)**  
 Controls 2-bit DAC (pin 25).  
 \*(00): 1 V    (01): 3 V    (10): 5 V    (11): 7 V
- DAC3 (DAC3 control)**  
 Controls open collector 1-bit DAC (pin 30).  
 \*(0): OPEN (HIGH)    (1): ON (LOW)

- TEST (Test mode)  
Switches DAC1, 2, and 3 outputs. Also used to test IC for shipping.  
\*(0): DAC outputs are used as DAC.  
(1): DAC1 outputs V. SYNC to the frequency counter.  
DAC2 outputs H. SYNC or C. SYNC to the frequency counter.  
DAC3 outputs IC test pulse for shipping.
- HD1-INV (HD1 output polarity switch)  
Switches HD1 output (pin 16) polarity. When set to 0, positive HD input is output as negative HD. When set to 0, output from the sync circuit is output as negative HD.  
\*(0): Normal (1): Inverse
- HD2-INV (HD2 output polarity switch)  
Switches HD1 output (pin 19) polarity. When set to 0, positive HD input is output as negative HD. When set to 0, output from the sync circuit is output as negative HD.  
\*(0): Normal (1): Inverse
- V-FREQUENCY (Vertical frequency switch (pull-in range))  
Sets vertical frequency pull-in range, VD-STOP, or free-running frequency.  
Free-running frequency is controlled by H-FREQUENCY.

	Pull-in Range	Format/H (V) Frequency
*(000)	48~1281 H	1125P/30 Hz (33.75 kHz)
(001)	48~849 H	750P/60 Hz (45 kHz)
(010)	FREE-RUN	Free-running frequency is controlled by H-FREQUENCY. (00): 262 H (01): 525 H (10): 562 H (11): 750 H
(011)	48~637 H	1125I/60 Hz (33.75 kHz)
(100)	48~613 H	525P/60 Hz (31.5 kHz)
(101)	48~363 H	PAL/SECAM/50 Hz (15.625 kHz) PAL/SECAM double scan/100 Hz (31.5 kHz)
(110)	48~307 H	NTSC/60 Hz (15.734 kHz) NTSC double scan /120 Hz (31.5 kHz)
(111)	VP STOP	VD output is HIGH

- CLP PHS (Clamp pulse phase switch)  
Switches clamp pulse phase.  
If no signal input, 0.9  $\mu$ s pulse is output from the H-C/D circuit.  
\*(0): 1  $\mu$ s (3.4%) delay following HD stop phase, 0.8  $\mu$ s (2.7%) pulse  
(1): 0.5  $\mu$ s (1.7%) delay following HD stop phase, 0.8  $\mu$ s (2.7%) pulse
- FREQ DET SW (Horizontal/vertical frequency counter switch)  
Switches input signal used for horizontal/vertical frequency counter. This switch is controlled independently from INPUT SW. The detection result is output as read BUS data.  
\*(00): SYNC1 input (01): SYNC2 input (10)/(11): HD3/VD3 inputs
- INPUT SW (Input signal switch for synchronization)  
Switches input signal used for synchronization.  
\*(00): SYNC1 input (01): SYNC2 input (10)/(11): HD3/VD3 inputs
- HD PHASE (HD phase adjustment)  
Adjusts phase of HD output from the sync circuit. The phase of the adjustment center value is the same as that of input H-SYNC or input HD. (Note) Synchronized VD width will change, when HD PHASE will be changed.  
(000000) : -5% (H periodically)  
\*(100000) : 0%  
(111111) : 5%
- VD1-INV (VD1 output polarity switch)  
Switches VD1 output (pin 28) polarity. When set to 0, negative VD input is output as negative VD. When set to 0, output from the sync circuit is output as negative VD.  
\*(0): Normal (1): Inverse
- VD2-INV (VD2 output polarity switch)  
Switches VD2 output (pin 29) polarity. When set to 0, negative VD input is output as negative VD. When set to 0, output from the sync circuit is output as negative VD.  
\*(0): Normal (1): Inverse

**Read Mode**

- POR (Power on reset)
  - (0): Status read (at second data read and subsequent)
  - (1): Power on (at first data read)
- HD-IN (Input signal self-check result)
  - Detects HD or H-SYNC input signal selected by INPUT SW.
  - (0): No signal input (1): Signal input
- V FREQ DET (Vertical frequency of SYNC or VD input selected by FREQ DET SW)
  - (0000000)~(0001100): No-VD
  - (0001101) : Vicinity of 162 Hz
  - (1111111) : Vicinity of 17 Hz

How to calculate vertical frequency (X):

Convert V-FREQ DET read data into decimal and define the resulting value as Y.

Where H-FREQUENCY is 15.75 kHz/31.5 kHz, Z = 476.2 μs

Where H-FREQUENCY is 33.75 kHz/45 kHz, Z = 474.1 μs

$$\text{Vertical frequency (X)} = 1 \div (Y \times Z) \text{ [Hz]}$$

Error of Y is +1, -0. If vertical frequency is 162 Hz or more, the frequency cannot be accurately measured. Time constant used to separate V.SYNC from integrated C.SYNC is 9 μs (error: ±1 μs).

- H FREQ DET (Horizontal frequency of SYNC or HD input selected by FREQ DET SW)
  - (0000000): No signal input (1111111): 53 kHz or more

How to calculate horizontal frequency (X):

X, Y, and Z are defined same as for V FREQ.

$$\text{Horizontal frequency (X)} = Y \div (5 \times Z) \text{ [kHz]}$$

Error of Y is +1, -0. If horizontal frequency is 53 kHz or more, the frequency cannot be accurately measured. When V-SYNC or VD is not input, horizontal frequency cannot be measured, resulting in data = (0000000).

Note 1: The start trigger for frequency counting is the internal reset-pulse made from ACK of 2nd byte in BUS read mode. The counting period is between the first V-sync (VD) and the second V-sync (VD) after the trigger.

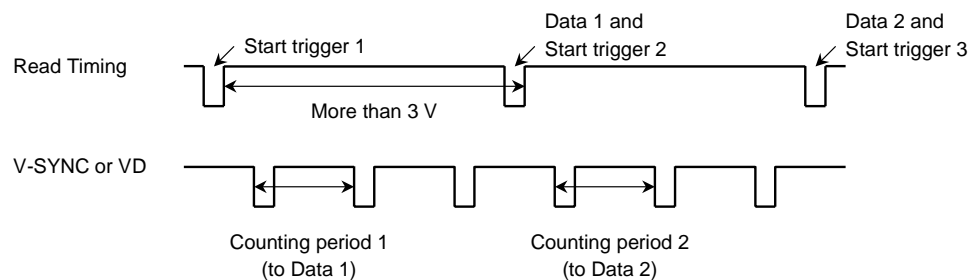
The counted data will have +1 or -0 error according to the read timing.

To assume stable data reading;

1. Set BUS reading interval more than 3 V.
2. Don't use the first data because it is unsettled.

are recommended.

Note 2: Ignore data (H FREQUENCY DET, V FREQUENCY DET) = (0000001, 0001101). This data is obtained when the pin voltage of SYNC-IN pin is higher than sync separation level and when any signal is not inputted into SYNC-IN pin.



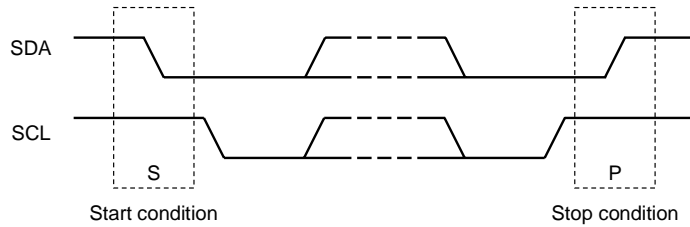
Decision algorithm (detection range, detection times and so on) should be determined under consideration of Note 1, Note 2 and the other factors such as signal strength, existence of ghost signal, H-AFC stability, I<sup>2</sup>C BUS data transmission and so on via prototype TV set evaluation.

**Data Transfer Format via I<sup>2</sup>C BUS**

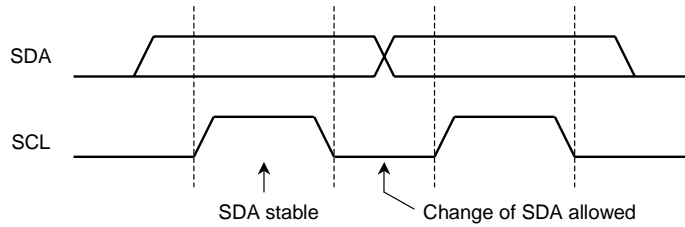
**Slave Address: D8/DA/DC<sub>H</sub>**

A6	A5	A4	A3	A2	A1	A0	W/R
1	1	0	1	1	0/1	0/1	0/1

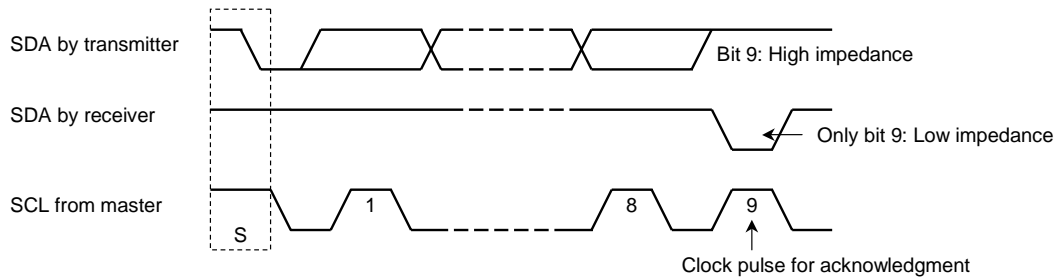
**Start and Stop Condition**



**Bit Transfer**

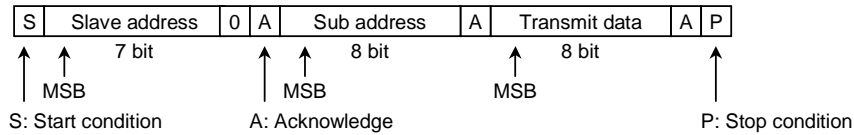


**Acknowledge**

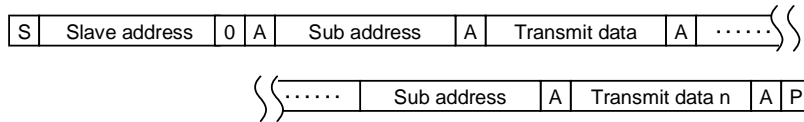




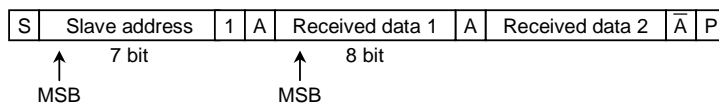
**Data Transmit Format 1**



**Data Transmit Format 2**



**Data Receive Format**

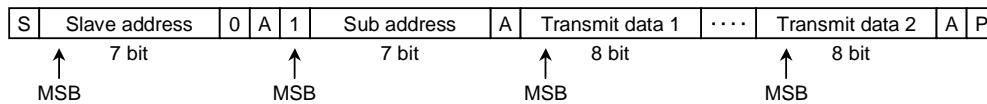


At the moment of the first acknowledge, the master transmitter becomes a master receiver and the slave transmitter. This acknowledge is still generated by this slave.

The Stop condition is generated by the master.

(\* important) The data read from THIS IC should always be completed in whole two words, not one word, otherwise the IICBUS may cause error.

**Optional Data Transmit Format: Automatic Increment Mode**



In this transmission method, data is set on automatically incremented sub-address from the specified sub-address.

**I<sup>2</sup>C BUS Conditions**

Characteristics	Symbol	Min	Typ.	Max	Unit
Low level input voltage	V <sub>IL</sub>	0	—	1.5	V
High level input voltage	V <sub>IH</sub>	3.0	—	V <sub>CC</sub>	V
Low level output voltage at 3 mA sink current	V <sub>OL1</sub>	0	—	0.4	V
Input current each I/O pin with an input voltage between 0.1 V <sub>DD</sub> and 0.9 V <sub>DD</sub>	I <sub>i</sub>	-10	—	10	μA
Capacitance for each I/O pin	C <sub>i</sub>	—	—	10	pF
SCL clock frequency	f <sub>SCL</sub>	0	—	100	kHz
Hold time START condition	t <sub>HD;STA</sub>	4.0	—	—	μs
Low period of SCL clock	t <sub>LOW</sub>	4.7	—	—	μs
High period of SCL clock	t <sub>HIGH</sub>	4.0	—	—	μs
Set-up time for a repeated START condition	t <sub>SU;STA</sub>	4.7	—	—	μs
Data hold time	t <sub>HD;DAT</sub>	280	—	—	ns
Data set-up time	t <sub>SU;DAT</sub>	250	—	—	ns
Set-up time for STOP condition	t <sub>SU;STO</sub>	4.0	—	—	μs
Bus free time between a STOP and START condition	t <sub>BUF</sub>	4.7	—	—	μs

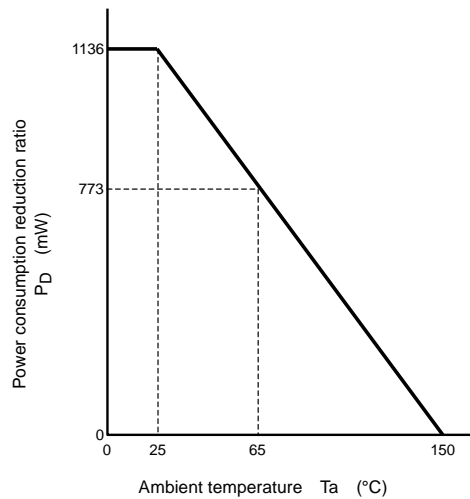
**Absolute Maximum Ratings (Ta = 25°C)**

Characteristics	Symbol	Rating	Unit
Supply voltage	V <sub>CCmax</sub>	12	V
Input pin voltage	V <sub>in</sub>	GND - 0.3~V <sub>CC</sub> + 0.3	V
Input pin signal voltage	e <sub>inmax</sub>	9	V <sub>p-p</sub>
Power dissipation	P <sub>D</sub> (*1)	1136	mW
Power dissipation reduction rate	1/θja	9.1	mW/°C
Operating temperature	T <sub>opr</sub>	-20~65	°C
Storage temperature	T <sub>stg</sub>	-55~150	°C

Note 1: Refer to the figure below.

Note 2: It is possible that this IC function faultily caused by leak problems according to a field intensity from CRT. Put this IC lay-out position to CRT be far more than 20 cm. If there is not enough distance, intercept it by a shield.

Note 3: Pins 24 and 26 are susceptible to damage from surge voltages and should be handled with extreme care.



**Figure PD - Ta Curve**

## Operating Condition

Characteristics		Description	Min	Typ.	Max	Unit	
Power supply voltage (V <sub>CC</sub> )		Pin 11	8.5	9.0	9.5	V	
HD1, HD2, HD3 Input level		Pin 3, 1, 14	2.0	5.0	9.0	V <sub>p-p</sub>	
VD1, VD2, VD3 Input level		Pin 4, 2, 13	2.0	5.0	9.0		
HD3 input width	Synchronization	Pin 14	0.02	—	0.20	H	
	Frequency detection	Pin 14	0.45 μs	—	0.25H	—	
VD3 input width	Synchronization	Pin 13	1 μs	—	47H	—	
	Frequency detection	Pin 13	1	—	400	μs	
SYNC1, SYNC2 Input level		Pin 26, 24, white 100% with negative sync	0.9	1.0	1.1	V <sub>p-p</sub>	
HD1, HD2, VD1, VD2-OUT Input current		Pin 16, 19, 28, 29	—	0.9	1.5	mA	
DAC3 Input current		Pin 30	—	0.5	1.0		
Address switching voltage		Pin 23	D8/D9 <sub>H</sub>	0	0	1.0	V
			DC/DD <sub>H</sub>	8.0	9.0	9.0	

Note: Pins 24 and 26 are susceptible to damage from surge voltages. Do not connect either of pins to an external input pin directly. When constructing a TV set, please consider to connect an external protection diode or a switch IC between any external input pin and pin 24 or 26.

**Electrical Characteristics (V<sub>CC</sub> = 9 V, Ta = 25°C, unless otherwise specified)**

**Current Dissipation**

Pin Name	Symbol	Test Circuit	Min	Typ.	Max	Unit
V <sub>CC</sub>	I <sub>CC</sub>	—	32	38	44	mA

**AC Characteristics**

**Horizontal Block**

Characteristics	Symbol	Test Circuit	Test Condition	Min	Typ.	Max	Unit
Sync1/2 input horizontal sync phase	S <sub>1PH</sub>	—	(Note HA01)	0.6	0.7	0.8	μs
	S <sub>2PH</sub>	—		0.6	0.7	0.8	
HD3 input horizontal sync phase	HD <sub>3PH</sub>	—	(Note HA02)	0.6	0.7	0.8	μs
Polarity distinction active range	HD-DUTY1	—	(Note HA03)	61	66	71	%
	HD-DUTY2	—		48	53	58	
Sync1 input threshold amplitude Sync2 input threshold amplitude	V <sub>thS10</sub>	—	(Note HA04)	0.040	0.070	0.100	V <sub>p-p</sub>
	V <sub>thS11</sub>	—		0.060	0.106	0.152	
	V <sub>thS12</sub>	—		0.081	0.142	0.203	
	V <sub>thS13</sub>	—		0.102	0.178	0.255	
	V <sub>thS20</sub>	—		0.040	0.070	0.100	
	V <sub>thS21</sub>	—		0.060	0.106	0.152	
	V <sub>thS22</sub>	—		0.081	0.142	0.203	
	V <sub>thS23</sub>	—		0.102	0.178	0.255	
HD3 input threshold amplitude (Synchronization block)	V <sub>thHD3</sub>	—	(Note HA05)	0.65	0.75	0.85	V <sub>p-p</sub>
HD1 input threshold voltage HD2 input threshold voltage HD3 input threshold voltage (SW block)	V <sub>thHD1</sub>	—	(Note HA06)	0.65	0.75	0.85	V <sub>p-p</sub>
	V <sub>thHD2</sub>	—		0.65	0.75	0.85	
	V <sub>thHD3</sub>	—		0.65	0.75	0.85	
HD output phase adjustment variable range	ΔHP0-	—	(Note HA07)	2.86	3.18	3.49	μs
	ΔHP0+	—		2.86	3.18	3.49	
	ΔHP1-	—		1.43	1.59	1.75	
	ΔHP1+	—		1.43	1.59	1.75	
	ΔHP2-	—		1.33	1.48	1.63	
	ΔHP2+	—		1.33	1.48	1.63	
	ΔHP3-	—		1.00	1.11	1.22	
	ΔHP3+	—		1.00	1.11	1.22	
Clamp pulse phase/width/level	CP <sub>S0</sub>	—	(Note HA08)	0.85	1.00	1.15	μs
	CP <sub>W0</sub>	—		0.65	0.80	0.95	
	CP <sub>V0</sub>	—		4.7	5.0	5.3	V
	CP <sub>S1</sub>	—		0.35	0.50	0.65	μs
	CP <sub>W1</sub>	—		0.65	0.80	0.95	
	CP <sub>V1</sub>	—		4.7	5.0	5.3	V
	CP <sub>S3</sub>	—		0	—	1	μs
	CP <sub>W3</sub>	—		0.50	0.90	1.30	
	CP <sub>V3</sub>	—		4.7	5.0	5.3	

Characteristics	Symbol	Test Circuit	Test Condition	Min	Typ.	Max	Unit
Delayed HD pulse width	$W_{d-HD}$	—	(Note HA09)	1.0	1.2	1.4	$\mu s$
HD1 output voltage	V13TH0	—	—	4.5	5.0	5.5	V
	V13TL0	—		—	0.1	0.5	
	V13TH1	—		4.5	5.0	5.5	
	V13TL1	—		—	0.1	0.5	
	V13TH2	—		4.5	5.0	5.5	
	V13TL2	—		—	0.1	0.5	
	V13TH3	—		4.5	5.0	5.5	
	V13TL3	—		—	0.1	0.5	
HD2 output voltage	V15TH0	—	—	4.5	5.0	5.5	V
	V15TL0	—		—	0.1	0.5	
	V15TH1	—		4.5	5.0	5.5	
	V15TL1	—		—	0.1	0.5	
	V15TH2	—		4.5	5.0	5.5	
	V15TL2	—		—	0.1	0.5	
	V15TH3	—		4.5	5.0	5.5	
	V15TL3	—		—	0.1	0.5	
HD1 output voltage (polarity inverse)	V13IH0	—	—	4.5	5.0	5.5	V
	V13IL0	—		—	0.1	0.5	
	V13IH1	—		4.5	5.0	5.5	
	V13IL1	—		—	0.1	0.5	
	V13IH2	—		4.5	5.0	5.5	
	V13IL2	—		—	0.1	0.5	
	V13IH3	—		4.5	5.0	5.5	
	V13IL3	—		—	0.1	0.5	
HD2 output voltage (polarity inverse)	V15IH0	—	—	4.5	5.0	5.5	V
	V15IL0	—		—	0.1	0.5	
	V15IH1	—		4.5	5.0	5.5	
	V15IL1	—		—	0.1	0.5	
	V15IH2	—		4.5	5.0	5.5	
	V15IL2	—		—	0.1	0.5	
	V15IH3	—		4.5	5.0	5.5	
	V15IL3	—		—	0.1	0.5	
AFC phase detection current	ID1	—	(Note HB01)	310	385	460	$\mu A$
	ID2	—		310	385	460	
	ID3	—		520	650	780	
	ID4	—		520	650	780	
VCO oscillation start voltage	$V_{VCO}$	—	(Note HB02)	3.9	4.2	4.5	V
HD output pulse width (free-run)	TH00	—	(Note HB03)	1.4	1.8	2.2	$\mu s$
	TH01	—		1.4	1.8	2.2	
	TH10	—		1.4	1.8	2.2	
	TH11	—		1.4	1.8	2.2	

Characteristics	Symbol	Test Circuit	Test Condition	Min	Typ.	Max	Unit
Horizontal free-run frequency	F00	—	(Note HB04)	15.59	15.75	15.91	kHz
	F01	—		31.19	31.5	31.82	
	F10	—		33.41	33.75	34.09	
	F11	—		44.55	45	45.45	
	F50	—		15.47	15.625	15.78	
Horizontal oscillation control sensitivity	BH00	—	(Note HB05)	2.4	3.0	3.6	kHz/V
	BH01	—		4.8	6.0	7.2	
	BH10	—		4.8	6.0	7.2	
	BH10	—		7.1	8.9	10.7	
DAC1 output voltage	VDAC <sub>10</sub>	—	—	0.5	1.0	1.5	V
	VDAC <sub>11</sub>	—		2.7	3.0	3.3	
	VDAC <sub>12</sub>	—		4.7	5.0	5.3	
	VDAC <sub>13</sub>	—		6.5	7.0	7.5	
DAC2 output voltage	VDAC <sub>20</sub>	—	—	0.5	1.0	1.5	V
	VDAC <sub>21</sub>	—		2.7	3.0	3.3	
	VDAC <sub>22</sub>	—		4.7	5.0	5.3	
	VDAC <sub>23</sub>	—		6.5	7.0	7.5	
DAC3 output voltage	VDAC <sub>30</sub>	—	—	—	0.5	0.7	V
	VDAC <sub>31</sub>	—		8.5	8.8	—	

**Vertical Block**

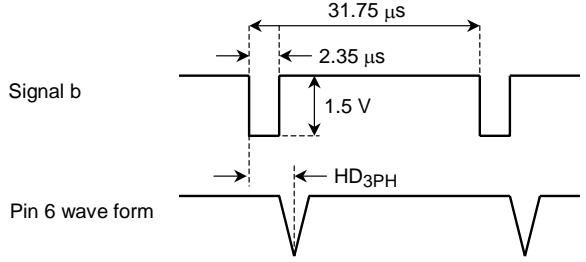
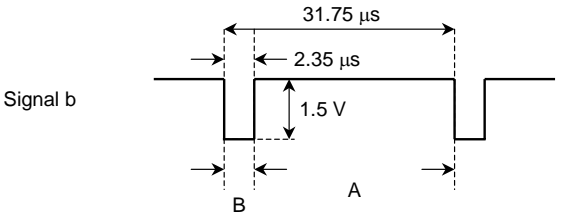
Characteristics	Symbol	Test Circuit	Test Condition	Min	Typ.	Max	Unit
VD1 input threshold voltage VD2 input threshold voltage VD3 input threshold voltage (SW block)	V <sub>th</sub> VD1	—	(Note VA01)	0.65	0.75	0.85	V <sub>p-p</sub>
	V <sub>th</sub> VD2	—		0.65	0.75	0.85	
	V <sub>th</sub> VD3	—		0.65	0.75	0.85	
VD3 input threshold voltage (synchronization block)	V <sub>th</sub> VD3	—	(Note VA02)	0.65	0.75	0.85	V <sub>p-p</sub>
VD1 output voltage	V22TH0	—	—	4.5	5.0	5.5	V
	V22TL0	—		—	0.1	0.5	
	V22TH1	—		4.5	5.0	5.5	
	V22TL1	—		—	0.1	0.5	
	V22TH2	—		4.5	5.0	5.5	
	V22TL2	—		—	0.1	0.5	
	V22TH3	—		4.5	5.0	5.5	
	V22TL3	—		—	0.1	0.5	
VD2 output voltage	V23TH0	—	—	4.5	5.0	5.5	V
	V23TL0	—		—	0.1	0.5	
	V23TH1	—		4.5	5.0	5.5	
	V23TL1	—		—	0.1	0.5	
	V23TH2	—		4.5	5.0	5.5	
	V23TL2	—		—	0.1	0.5	
	V23TH3	—		4.5	5.0	5.5	
	V23TL3	—		—	0.1	0.5	
VD1 output voltage (polarity inverse)	V22IH0	—	—	4.5	5.0	5.5	V
	V22IL0	—		—	0.1	0.5	
	V22IH1	—		4.5	5.0	5.5	
	V22IL1	—		—	0.1	0.5	
	V22IH2	—		4.5	5.0	5.5	
	V22IL2	—		—	0.1	0.5	
	V22IH3	—		4.5	5.0	5.5	
	V22IL3	—		—	0.1	0.5	
VD2 output voltage (polarity inverse)	V23IH0	—	—	4.5	5.0	5.5	V
	V23IL0	—		—	0.1	0.5	
	V23IH1	—		4.5	5.0	5.5	
	V23IL1	—		—	0.1	0.5	
	V23IH2	—		4.5	5.0	5.5	
	V23IL2	—		—	0.1	0.5	
	V23IH3	—		4.5	5.0	5.5	
	V23IL3	—		—	0.1	0.5	
Vertical output pulse width	VP <sub>W0</sub>	—	(Note VA03)	251	286	321	μs
	VP <sub>W1</sub>	—		126	143	160	
	VP <sub>W2</sub>	—		117	133	150	
	VP <sub>W3</sub>	—		88	100	112	

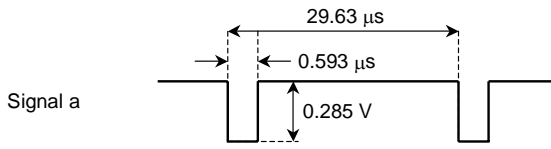
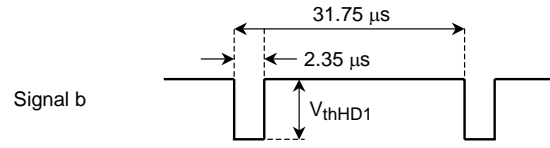
Characteristics	Symbol	Test Circuit	Test Condition	Min	Typ.	Max	Unit
Vertical free-run frequency	FV0	—	(Note VA04)	26.02	26.35	26.67	Hz
	FV1	—		39.21	39.75	40.30	
	FV3	—		52.20	52.98	53.77	
	FV4	—		54.24	55.06	55.89	
	FV5	—		91.28	92.98	94.69	
	FV6	—		107.8	109.9	112.1	
	FV20	—		57.0	60.0	63.0	
	FV21	—		57.0	60.0	63.0	
	FV22	—		57.0	60.0	63.0	
	FV23	—		57.0	60.0	63.0	
Vertical pull-in range	FVPL0	—	(Note VA05)	311	321	332	Hz
	FVPL1	—		624	643	663	
	FVPL2	—		668	689	710	
	FVPL3	—		891	918	947	
Sync input-VD output phase difference	15.75 kHz	—	—	9.6	11.8	14.0	μs
	31.50 kHz	—		5.7	6.8	7.9	
	33.75 kHz	—		5.3	6.4	7.5	
	45.00 kHz	—		4.4	5.2	6.0	



## Test Conditions and Measuring Method

Note	Item	SW Mode				Test Conditions and Measuring Method ( $V_{CC} = 9\text{ V}$ , $T_a = 25 \pm 3^\circ\text{C}$ , unless otherwise specified)
		S06	S18	S19	S21	
HA01	Sync1/2 input horizontal sync phase	c	b	a ↓ b	b ↓ a	<ol style="list-style-type: none"> <li>(1) Set sub-address (02) 60.</li> <li>(2) SW19-a and SW21-b.</li> <li>(3) Input Signal a (horizontal 33.75 kHz ) to pin 21 (SYNC1-IN).</li> <li>(4) Set sub-address (02) 61.</li> <li>(5) Measure the phase difference <math>S_{1PH}</math> between pin 21 and pin 6 (AFC filter) wave form.</li> <li>(6) SW19-b and SW21-a.</li> <li>(7) Input Signal a (33.75 kHz ) to pin 19 (SYNC2-IN).</li> <li>(8) Set sub-address (02) 01.</li> <li>(9) Measure the phase difference <math>S_{2PH}</math> between pin 19 and pin 6 (AFC filter) wave form.</li> </ol> <div style="text-align: center; margin-top: 20px;"> <p>The diagram illustrates the timing relationship between the input signal and the AFC filter output. The top trace, labeled 'Signal a', shows a square wave with a period of 29.63 μs and a pulse width of 0.593 μs. The pulse height is 0.285 V. The bottom trace, labeled 'Pin 6 wave form', shows a corresponding pulse with a phase difference <math>S_{1PH}</math> and <math>S_{2PH}</math> relative to the signal edges.</p> </div>

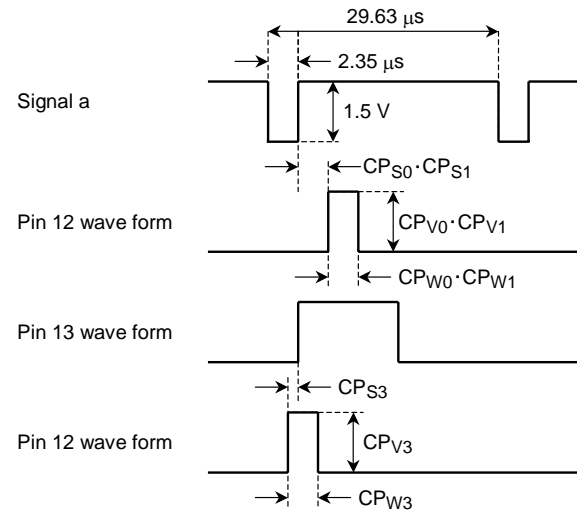
Note	Item	SW Mode				Test Conditions and Measuring Method (V <sub>CC</sub> = 9 V, Ta = 25 ± 3°C, unless otherwise specified)
		S06	S18	S19	S21	
HA02	HD3 input horizontal sync phase	c	b	—	—	<p>(1) Set sub-address (00) 40 and (02) 82.</p> <p>(2) Input signal b (horizontal 31.5 kHz ) to pin 11 (HD3-IN).</p> <p>(3) Measure the phase difference HD<sub>3PH</sub> between pin 11 and pin 6 (AFC filter) wave form.</p> 
HA03	Polarity distinction active range	c	b	—	—	<p>(1) Set sub-address (00) 70 and (02) 82.</p> <p>(2) Input signal b ((horizontal 31.5 kHz ) to pin 11 (HD3-IN).</p> <p>(3) Decreasing the duty of signal b to 0% (get negative period shorter), measure the duty of Signal b (HD-DUTY1) when the phase between pin 11 and pin 13 (HD1-OUT) change.</p> <p>(4) Increasing the duty of Signal b to 100% (get negative period longer), measure the duty of Signal b (HD-DUTY2) when the phase between pin 11 and pin 13 (HD1OUT) change.</p>  <p style="text-align: right;">* duty = A/(A + B) × 100 (%)</p>

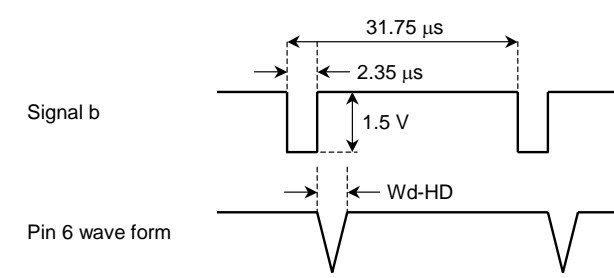
Note	Item	SW Mode				Test Conditions and Measuring Method ( $V_{CC} = 9\text{ V}$ , $T_a = 25 \pm 3^\circ\text{C}$ , unless otherwise specified)
		S06	S18	S19	S21	
HA04	Sync1 input threshold amplitude Sync2 input threshold amplitude	c	b	a ↓ b	b ↓ a	<ol style="list-style-type: none"> <li>Set sub-address (00) 0B and (02) 60.</li> <li>Input Signal a (33.75 kHz) to pin 21 (SYNC1-IN).</li> <li>Measure the sync. tip DC voltage of signal a on pin 21 (SYNC1-IN). (<math>V_{\text{sync11}}</math>)</li> <li>Supply external voltage via 100 k<math>\Omega</math> to pin 21 and increase the voltage.</li> <li>Measure the sync. tip DC voltage (<math>V_{\text{sync12}}</math>) when HD-OUT desynchronizes with signal a calculate <math>V_{\text{thS10}}</math>. <math>V_{\text{thS10}} = V_{\text{sync12}} - V_{\text{sync11}}</math></li> <li>Set sub-address (00) B1, B2 and B3 and calculate <math>V_{\text{thS11}}</math>, <math>V_{\text{thS12}}</math> and <math>V_{\text{thS13}}</math> as well.</li> <li>Calculate <math>V_{\text{thS20}}</math>, <math>V_{\text{thS21}}</math>, <math>V_{\text{thS22}}</math> and <math>V_{\text{thS23}}</math> against pin 19 (SYNC2-IN) in the same way as 4 to 6.</li> </ol> 
HA05	HD3 input threshold amplitude (synchronization block)	c	b	—	—	<ol style="list-style-type: none"> <li>Set sub-address (00) 70 and (02) 62.</li> <li>Input Signal b (31.5 kHz) to pin 11 (HD3-IN).</li> <li>Increasing the voltage of Signal b from 0 V, measure the voltage of Signal b <math>V_{\text{thHD3}}</math> when HD1-OUT lock.</li> </ol> 

Note	Item	SW Mode				Test Conditions and Measuring Method ( $V_{CC} = 9\text{ V}$ , $T_a = 25 \pm 3^\circ\text{C}$ , unless otherwise specified)
		S06	S18	S19	S21	
HA06	HD1 input threshold voltage HD2 input threshold voltage HD3 input threshold voltage (SW block)	c	b	—	—	<p>(1) Set sub-address (00) 40.</p> <p>(2) Input Signal b (31.5 kHz) to pin 3 (HD1-IN).</p> <p>(3) Increasing the voltage of Signal b from 0 V, measure the voltage of Signal b <math>V_{thHD1}</math> when HD1-OUT lock.</p> <p>(4) Measure the voltage of pin 1 <math>V_{thHD2}</math>. Measure the voltage of pin 11 <math>V_{thHD3}</math> as well.</p> <div style="text-align: center;"> <p>Signal b</p> </div>

Note	Item	SW Mode				Test Conditions and Measuring Method ( $V_{CC} = 9\text{ V}$ , $T_a = 25 \pm 3^\circ\text{C}$ , unless otherwise specified)
		S06	S18	S19	S21	
HA07	HD output phase adjustment variable range	c	b	—	—	<p>(1) Set sub-address (00) 30.</p> <p>(2) Input Signal b (horizontal period <math>T = 63.5\ \mu\text{s}</math>) to pin 11 (HD3-IN).</p> <p>(3) Set sub-address (02) 02.</p> <p>(4) Change form 00 to 7C sub-address (03), then measure the phase change quantity (<math>\Delta\text{HP0-}</math>) of pin 13 (HD1-OUT) wave form.</p> <p>(5) Change form 80 to FC sub-address (03), then measure the phase change quantity (<math>\Delta\text{HP0+}</math>) of pin 13 (HD1-OUT) wave form.</p> <p>(6) When horizontal period of Signal b is <math>T = 31.75\ \mu\text{s}</math> measure <math>\Delta\text{HP1-}</math> and <math>\Delta\text{HP1+}</math> as well.</p> <p>(7) When horizontal period of Signal b is <math>T = 29.63\ \mu\text{s}</math> measure <math>\Delta\text{HP2-}</math> and <math>\Delta\text{HP2+}</math> as well.</p> <p>(8) When horizontal period of Signal b is <math>T = 22.22\ \mu\text{s}</math> measure <math>\Delta\text{HP3-}</math> and <math>\Delta\text{HP3+}</math> as well.</p> <div style="text-align: center;"> <p>The diagram illustrates the timing relationship between the input signal and the output phase shift. Signal b is a square wave with a horizontal period <math>T</math> and a pulse width of <math>2.35\ \mu\text{s}</math>. The pulse height is <math>1.5\ \text{V}</math>. The output wave forms for Pin 15 are shown for three sub-addresses: 00, 7C (80), and FC. The phase shift for sub-address 7C (80) is labeled <math>\Delta\text{HP}^*_-</math> and for sub-address FC is labeled <math>\Delta\text{HP}^*_+</math>.</p> </div>

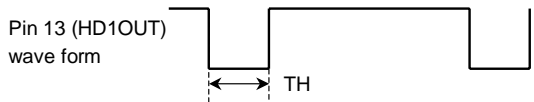
Note	Item	SW Mode				Test Conditions and Measuring Method ( $V_{CC} = 9\text{ V}$ , $T_a = 25 \pm 3^\circ\text{C}$ , unless otherwise specified)
		S06	S18	S19	S21	
HA08	Clamp pulse phase/width/level	c	b	—	—	<p>(1) Set sub-address (00) B0.</p> <p>(2) Input Signal a (horizontal 33.75 kHz) to pin 11 (HD3-IN).</p> <p>(3) Set sub-address (02) 02.</p> <p>(4) Measure the clamp pulse phase (<math>CP_{S0}</math>), width (<math>CP_{W0}</math>), output level (<math>CP_{V0}</math>) of pin 12 (CLP-OUT) against Signal a.</p> <p>(5) Set sub-address (02) 12.</p> <p>(6) Measure the clamp pulse phase (<math>CP_{S1}</math>), width (<math>CP_{W1}</math>), output level (<math>CP_{V1}</math>) of pin 12 (SCP-OUT) against Signal a.</p> <p>(7) Input no-signal to pin 11.</p> <p>(8) Measure the clamp pulse phase (<math>CP_{S2}</math>), width (<math>CP_{W2}</math>), output level (<math>CP_{V2}</math>) of pin 12 (SCP-OUT) against pin 13 (HD-OUT).</p>

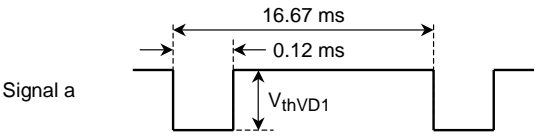
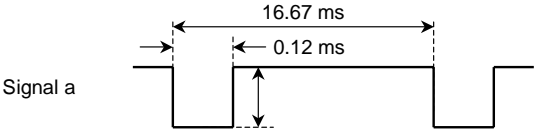


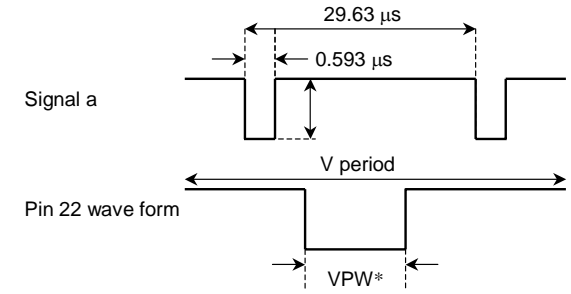
Note	Item	SW Mode				Test Conditions and Measuring Method ( $V_{CC} = 9\text{ V}$ , $T_a = 25 \pm 3^\circ\text{C}$ , unless otherwise specified)
		S06	S18	S19	S21	
HA09	Delayed HD pulse width	c	b	—	—	<p>(1) Set sub-address (00) 70.                      (2) Input Signal b (horizontal 31.5 kHz) to pin 11 (HD3-IN).                      (3) Set sub-address (02) 62.                      (4) Measure the pulse width (WdHD) of pin 6 (AFC filter) wave form.</p> 

Note	Item	SW Mode				Test Conditions and Measuring Method ( $V_{CC} = 9\text{ V}$ , $T_a = 25 \pm 3^\circ\text{C}$ , unless otherwise specified)
		S06	S18	S19	S21	
HB01	AFC phase detection current	OPEN	b	a	b	<p>(1) BUS control data preset.</p> <p>(2) Horizontal oscillation frequency is 15.75 kHz (00).</p> <p>(3) SW6 open. Measure the Voltage of pin 6 V6 (no external supply).</p> <p>(4) Connect external supply with pin 6, and supply the voltage (V6).</p> <p>(5) Input signal (below figure) to pin 21 (SYNC1-IN). When INPUT SW is SYNC1-IN, measure V1 and V2 of pin 6 wave form.</p> <p>(6) Supply <math>V6 - 0.1\text{ V}</math> and <math>V6 + 0.1\text{ V}</math> to pin 6, then measure V3 and V4.</p> <p>(7) Calculate by following equations.</p> $ID1 [\mu\text{A}] = (V1 [\text{V}] \div 1 [\text{k}\Omega]) \times 1000$ $ID2 [\mu\text{A}] = (V2 [\text{V}] \div 1 [\text{k}\Omega]) \times 1000$ $ID3 [\mu\text{A}] = (V3 [\text{V}] \div 1 [\text{k}\Omega]) \times 1000$ $ID4 [\mu\text{A}] = (V4 [\text{V}] \div 1 [\text{k}\Omega]) \times 1000$
						<p>Pin 21 wave form</p> <p>Pin 6 wave form</p> <p>63.5 <math>\mu\text{s}</math></p> <p>0.25 V</p> <p>V1, V3</p> <p>V2, V4</p>
HB02	VCO oscillation start voltage	—	—	—	—	<p>(1) Increasing the voltage of pin 8 <math>V_{CC}</math> form 2.5V, measure the voltage <math>V_{VCO}</math> when pin 7 appear oscillation wave form.</p>

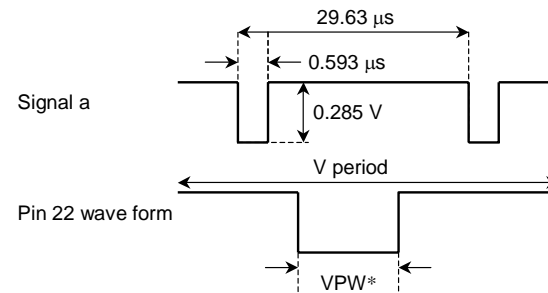


Note	Item	SW Mode				Test Conditions and Measuring Method (V <sub>CC</sub> = 9 V, Ta = 25 ± 3°C, unless otherwise specified)
		S06	S18	S19	S21	
HB03	HD output pulse width (free-run)	c	b	—	—	(1) BUS control data preset. (2) When horizontal oscillation frequency is 15.75 kHz (00), measure the output pulse width TH00 of pin 13 (HD1-OUT) wave form. (3) When horizontal oscillation frequency is 31.5 kHz (01), 33.75 kHz (10), 45 kHz (11), measure the output pulse width TH01, TH02, TH03 as well. <div style="text-align: center;">  <p>Pin 13 (HD1OUT) wave form</p> </div>
HB04	Horizontal free-run frequency	OPEN	b	—	—	(1) BUS control data preset. (2) SW6 open. When horizontal oscillation frequency is 15.75 kHz (00), measure the oscillation frequency F00 of pin 13 (HD1-OUT) wave form. (3) When horizontal oscillation frequency is 31.5 kHz (01), 33.75 kHz (10), 45 kHz (11), measure the oscillation frequency F01, F10, F11 as well. (4) When horizontal oscillation frequency is 15.75 kHz (00) and vertical free-run frequency is (101), measure the oscillation frequency F50 of pin 15 wave form.
HB05	Horizontal oscillation control sensitivity	OPEN	b	—	—	(1) BUS control data preset. (2) SW6 open. (3) Connect external voltage with pin 6 . Horizontal oscillation frequency is 15.75 kHz (00). Supply V6 (about 6.3 V) + 0.05 V or V6 – 0.05 V to pin 6, then measure the frequency FA, FB of pin 13 (HD1-OUT) wave form. Calculate frequency changing ratio (BH00). BH00 = (FB – FA)/0.1 (4) When horizontal oscillation frequency is 31.5 kHz (01), 33.75 kHz (10), 45 kHz (11), calculate BH01, BH10, BH11 as wall.

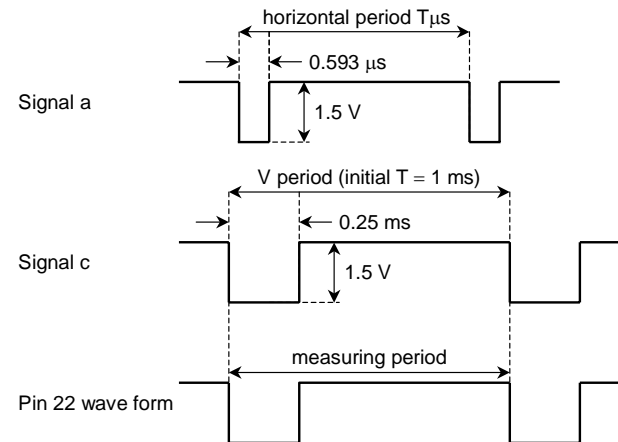
Note	Item	SW Mode				Test Conditions and Measuring Method ( $V_{CC} = 9\text{ V}$ , $T_a = 25 \pm 3^\circ\text{C}$ , unless otherwise specified)
		S06	S18	S19	S21	
VA01	VD1 input threshold voltage VD2 input threshold voltage VD3 input threshold voltage (SW block)	c	b	—	—	<ol style="list-style-type: none"> <li>(1) Set sub-address (00) 80.</li> <li>(2) Input Signal a (vertical 60 Hz) to pin 4 (VD1-IN).</li> <li>(3) Set sub-address (02) 00.</li> <li>(4) Increasing the voltage of Signal a from 0 V, measure the voltage of Signal b <math>V_{thVD1}</math> when VD1-OUT lock.</li> <li>(5) Measure <math>V_{thVD2}</math> and <math>V_{thVD3}</math> against pin 2 and pin 10 as well.</li> </ol> 
VA02	VD3 input threshold voltage (synchronization block)	c	b	—	—	<ol style="list-style-type: none"> <li>(1) Set sub-address (00) 70.</li> <li>(2) Input Signal b (vertical 60 Hz) to pin 10 (VD3-IN).</li> <li>(3) Set sub-address (02) 03.</li> <li>(4) Increasing the voltage of Signal b from 0 V, measure the voltage of Signal a <math>V_{thVD3}</math> when VD1-OUT lock.</li> </ol> 

Note	Item	SW Mode				Test Conditions and Measuring Method ( $V_{CC} = 9\text{ V}$ , $T_a = 25 \pm 3^\circ\text{C}$ , unless otherwise specified)
		S06	S18	S19	S21	
VA03	Vertical output pulse width	c	b	—	—	<p>(1) Input Signal a (horizontal 33.75 kHz) to pin 11 (HD3-IN).</p> <p>(2) Set sub-address (02) 02.</p> <p>(3) When sub-addrss (00) is B0, measure the pulse width VPW2 of pin 22 (VD1-OUT) wave form.</p> <p>(4) When sub-addrss (00) is 30, 70, F0, measure the pulse width VPW0, VPW1, VPW3 of pin 22 (VD1-OUT) wave form as well.</p> 

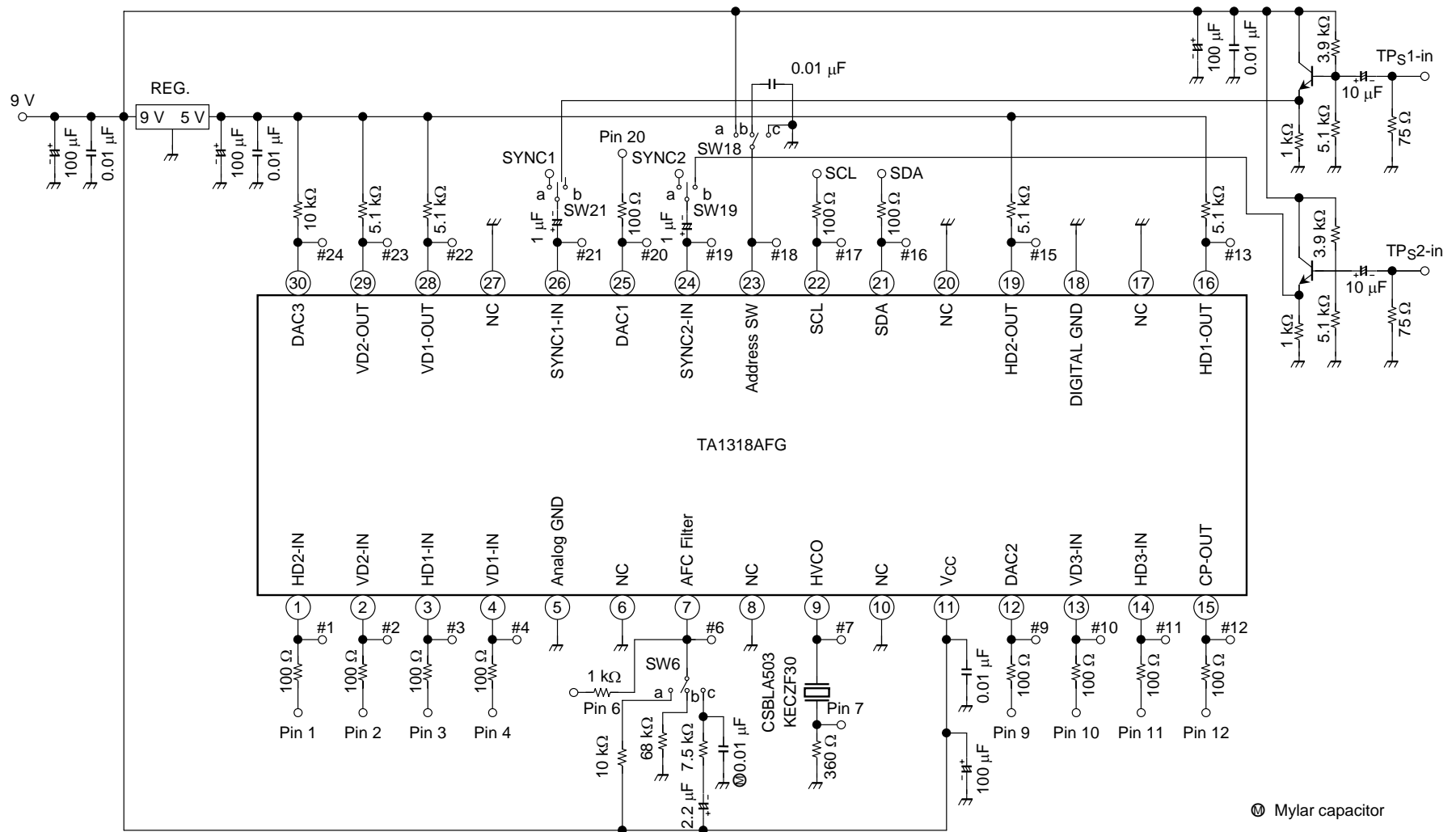
Note	Item	SW Mode				Test Conditions and Measuring Method ( $V_{CC} = 9\text{ V}$ , $T_a = 25 \pm 3^\circ\text{C}$ , unless otherwise specified)
		S06	S18	S19	S21	
VA04	Vertical free-run frequency	c	b	—	—	<p>(1) Input Signal a (horizontal 33.75 kHz) to pin 11 (HD3-IN).</p> <p>(2) Set sub-address (00) B0.</p> <p>(3) When sub-address (02) is 02, 22, 62, 82, A2 or C2, measure the frequency FV0, FV1, FV3, FV4, FV5 or FV6 of pin 22 (VD1-OUT) wave form.</p> <p>(4) Input no-signal to pin 3 (HD1-IN).</p> <p>(5) Set sub-address (02) 42.</p> <p>(6) When sub-address (00) is 30, 70, B0 or F0, measure the frequency FV20, FV21, FV22 or FV23 of pin 22 (VD1-OUT) wave form.</p>



Note	Item	SW Mode				Test Conditions and Measuring Method ( $V_{CC} = 9\text{ V}$ , $T_a = 25 \pm 3^\circ\text{C}$ , unless otherwise specified)
		S06	S18	S19	S21	
VA05	Vertical pull-in range	c	b	—	—	<p>(1) Input Signal a (horizontal period <math>T = 63.5\ \mu\text{s}</math>) to pin 11 (HD3-IN).</p> <p>(2) Set sub-address (02) 02.</p> <p>(3) Set sub-address (00) 30.</p> <p>(4) Input Signal C (vertical period initial <math>T = 1\text{ms}</math>) to pin 10 (VD3-IN). Increasing vertical period of Signal C, measure the frequency FVPL0 when pin 22 (VD1-OUT) wave form synchronize with Signal C.</p> <p>(5) Input Signal a (horizontal period <math>T = 31.75\ \mu\text{s}</math>) to pin 11 (HD3-IN).</p> <p>(6) Set sub-address (00) 70.</p> <p>(7) Measure FVPL1 as well.</p> <p>(8) Input Signal a (horizontal period <math>T = 29.63\ \mu\text{s}</math>) to pin 11 (HD3-IN).</p> <p>(9) Set sub-address (00) B0.</p> <p>(10) Measure FVPL2 as well.</p> <p>(11) Input Signal a (horizontal period <math>T = 22.22\ \mu\text{s}</math>) to pin 11 (HD3-IN).</p> <p>(12) Set sub-address (00) F0.</p> <p>(13) Measure FVPL3 as well.</p>

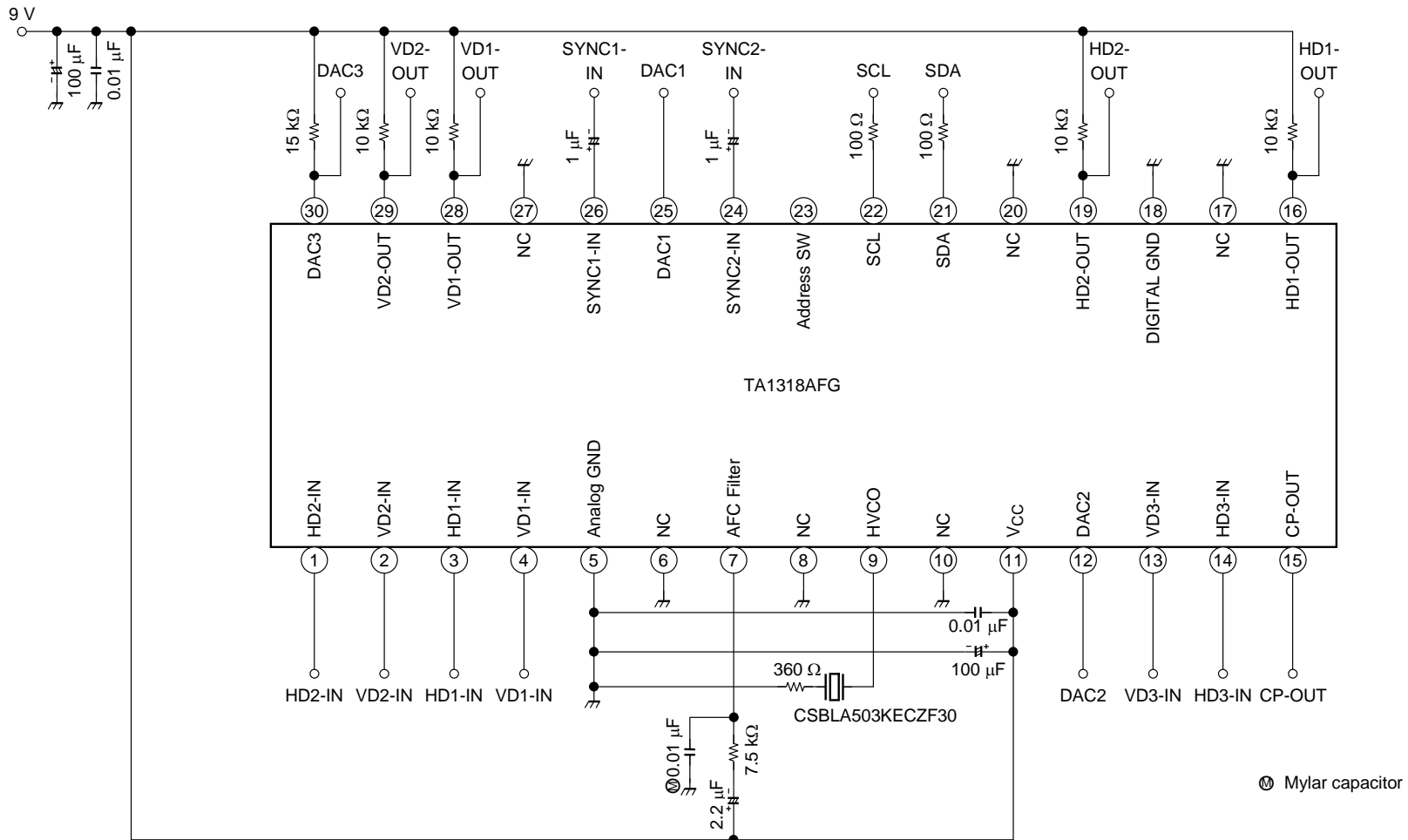


## Test Circuit



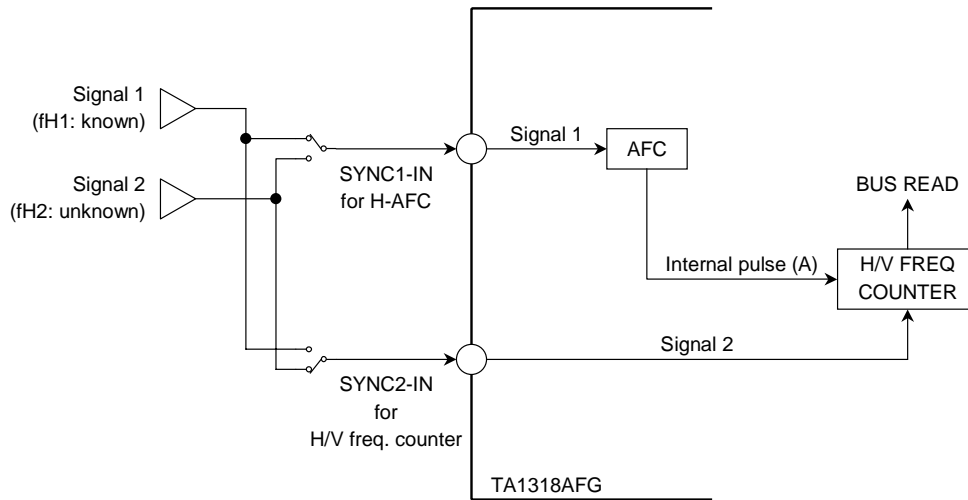
Ⓜ Mylar capacitor

Application Circuit 1 (Typical values)



**Application Circuit 2 (How to measure H/V frequency)**

To measure H/V frequency of signal 2 (fH2: unknown) correctly, use two separated input terminals as the following figure. One is for frequency measuring (SYNC2-in) and the other is for the AFC (SYNC1-IN). And measure H/V frequency of signal 2 (fH2: unknown) on condition that AFC is stable (AFC locks in signal 1 (fH1: known).) or that AFC is free-run when SYNC1-IN is no-signal.



This IC's H/V frequency counting is done by internal pulse (A) which is made in AFC circuit. So, if AFC circuit doesn't lock in the regular frequency, the frequency of pulse (A) will not be correct and the H/V frequency data will not be showed correct data.

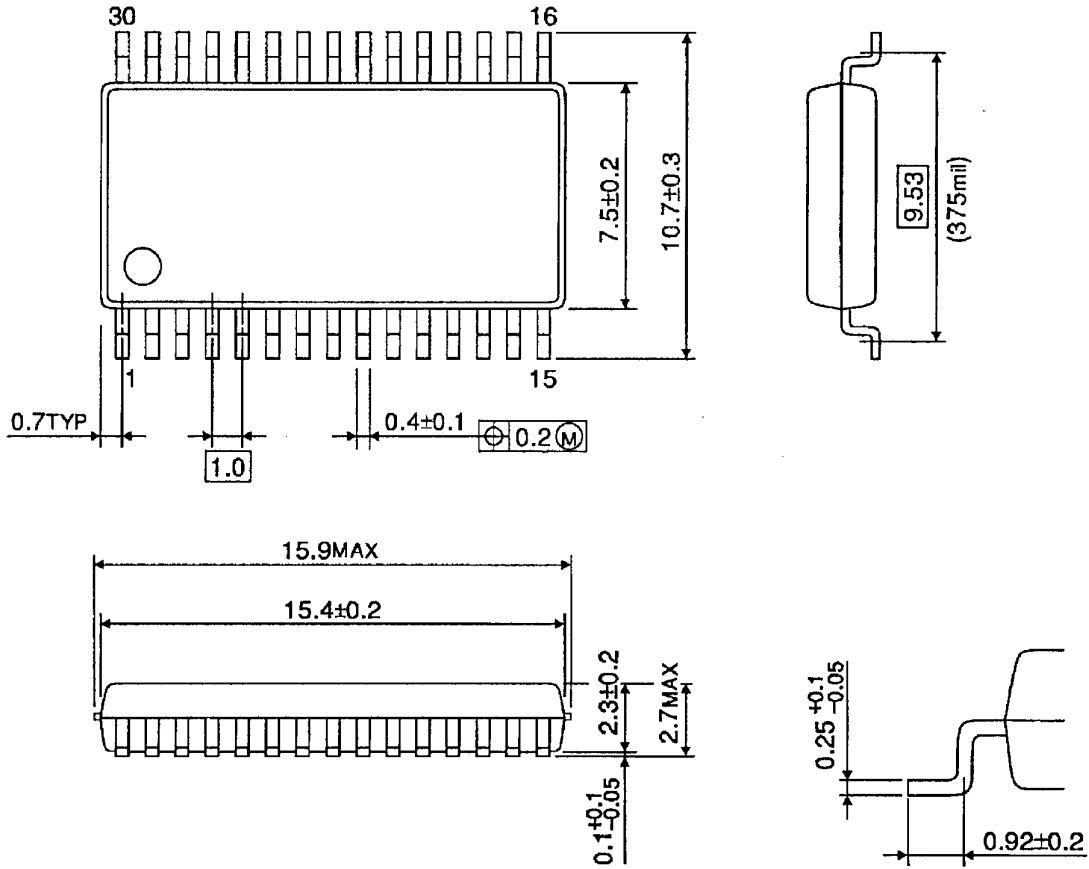
Decision algorithm of H/V frequency detection (detection range, detection times and so on) should be determined under consideration the factors such as signal strength, existence of ghost signal, H-AFC stability, I<sup>2</sup>C BUS data transmission and so on via prototype TV set evaluation.



**Package Dimensions**

SSOP30-P-375-1.00

Unit : mm



Weight: 0.63 g (typ.)

About solderability, following conditions were confirmed

- Solderability
  - (1) Use of Sn-37Pb solder Bath
    - solder bath temperature = 230°C
    - dipping time = 5 seconds
    - the number of times = once
    - use of R-type flux
  - (2) Use of Sn-3.0Ag-0.5Cu solder Bath
    - solder bath temperature = 245°C
    - dipping time = 5 seconds
    - the number of times = once
    - use of R-type flux

## RESTRICTIONS ON PRODUCT USE

060116EBA

- The information contained herein is subject to change without notice. 021023\_D
- TOSHIBA is continually working to improve the quality and reliability of its products. Nevertheless, semiconductor devices in general can malfunction or fail due to their inherent electrical sensitivity and vulnerability to physical stress. It is the responsibility of the buyer, when utilizing TOSHIBA products, to comply with the standards of safety in making a safe design for the entire system, and to avoid situations in which a malfunction or failure of such TOSHIBA products could cause loss of human life, bodily injury or damage to property.  
In developing your designs, please ensure that TOSHIBA products are used within specified operating ranges as set forth in the most recent TOSHIBA products specifications. Also, please keep in mind the precautions and conditions set forth in the "Handling Guide for Semiconductor Devices," or "TOSHIBA Semiconductor Reliability Handbook" etc. 021023\_A
- The TOSHIBA products listed in this document are intended for usage in general electronics applications (computer, personal equipment, office equipment, measuring equipment, industrial robotics, domestic appliances, etc.). These TOSHIBA products are neither intended nor warranted for usage in equipment that requires extraordinarily high quality and/or reliability or a malfunction or failure of which may cause loss of human life or bodily injury ("Unintended Usage"). Unintended Usage include atomic energy control instruments, airplane or spaceship instruments, transportation instruments, traffic signal instruments, combustion control instruments, medical instruments, all types of safety devices, etc. Unintended Usage of TOSHIBA products listed in this document shall be made at the customer's own risk. 021023\_B
- The products described in this document shall not be used or embedded to any downstream products of which manufacture, use and/or sale are prohibited under any applicable laws and regulations. 060106\_Q
- The information contained herein is presented only as a guide for the applications of our products. No responsibility is assumed by TOSHIBA for any infringements of patents or other rights of the third parties which may result from its use. No license is granted by implication or otherwise under any patent or patent rights of TOSHIBA or others. 021023\_C
- The products described in this document are subject to the foreign exchange and foreign trade laws. 021023\_E