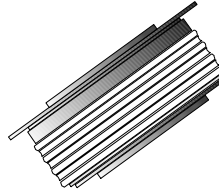




**SD1500C(\*)L Series**  
**STANDARD RECOVERY DIODE**

$I_{F(AV)} = 1600 \text{ A}$ ,

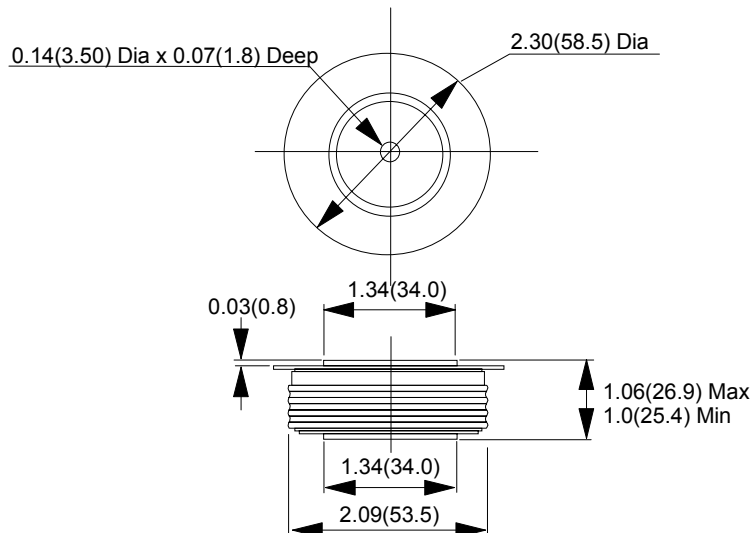


Case: B-Puk

MAXIMUM RATINGS (T <sub>j</sub> = 25 °C unless stated otherwise)									
Parameter	Symbol	SD1500C 04L	SD1500C 08L	SD1500C 12L	SD1500C 16L	SD1500C 20L	SD1500C 25L	SD1500C 30L	Unit
Repetitive Peak Reverse Voltage	V <sub>RRM</sub>	400	800	1200	1600	2000	2500	3000	Volt
Maximum Average On-State Current	I <sub>F(AV)</sub>	1600 at TC=55°C							Amp
Peak Forward Surge Current	I <sub>FSM</sub>	17400							Amp
Maximum I <sup>2</sup> T for Fusing	I <sup>2</sup> T	1265							A <sup>2</sup> /S
Maximum Storage Temperature Range	T <sub>(STG)</sub>	-55 to +200							°C
Maximum Junction Temperature Range	T <sub>j</sub>	-40 to +180							°C

ELECTRICAL CHARACTERISTICS at 25 °C Maximum Unless Stated				Value			Unit
Parameter	Symbol	Condition	Min	Typ	Max		
Maximum Forward Voltage	V <sub>FM</sub>	I <sub>pk</sub> = 3000 Amps			1.64	Volt	
Repetitive Peak Off- State Current at TC=175°C	I <sub>RRM</sub>	V <sub>R</sub> = V <sub>RRM</sub>			50.0	mA	
Thermal Resistance (Junction toHeatsink)	R <sub>TH (j-h)</sub>				0.073	°C/W	
Mounting Torque	M <sub>T</sub>				14700	NM	
Weight	Wt				255	grms	

**Mechanical Dimensions**



All Dimensions in Inches (Millimeters)  
 Third Angle Projection