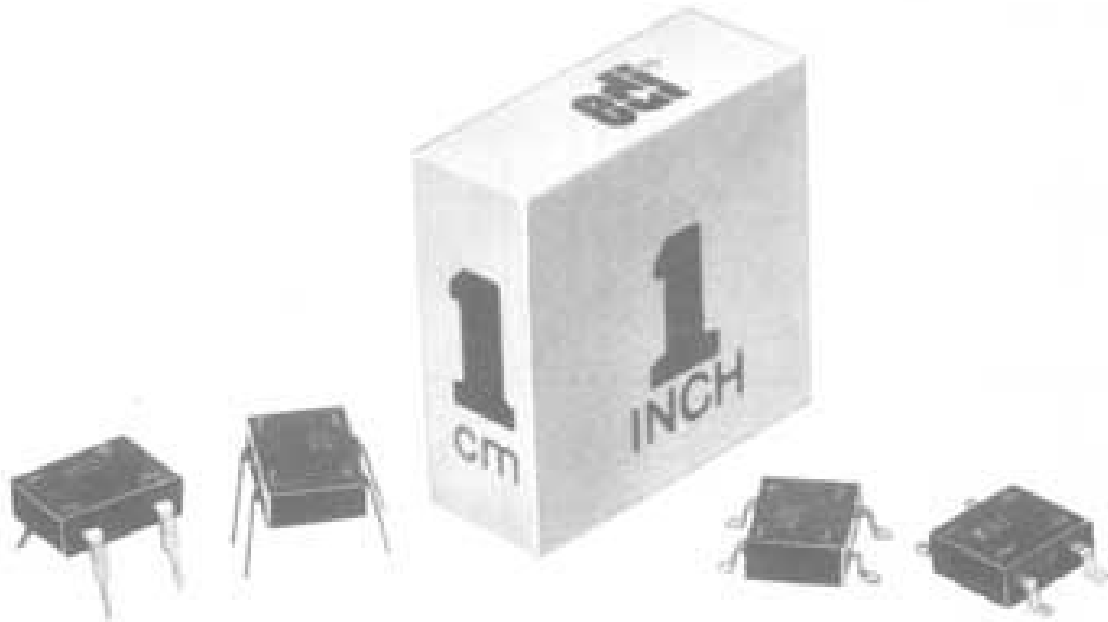




PL PLS

SINGLE-PHASE FULL WAVE BRIDGE  
1.0 AMPERES  
FOR P.C. BOARD AND SURFACE MOUNTING



PL SERIES  
Dual DIP Package

PLS SERIES  
Surface Mount Type

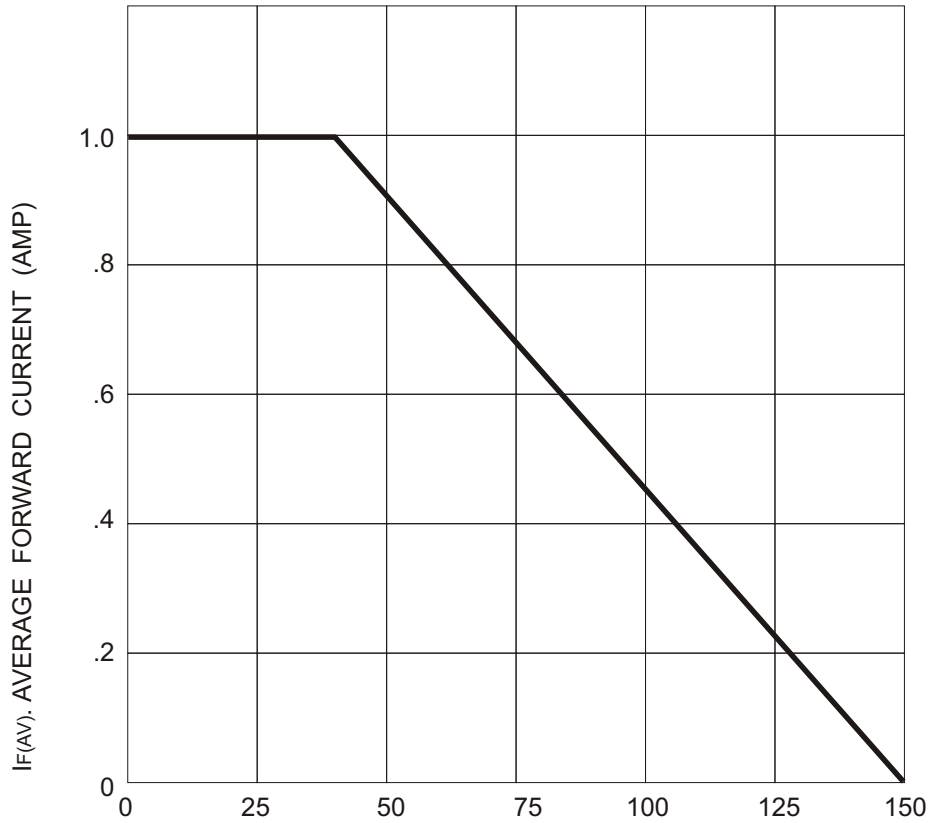
PRV/Leg	50V	200V	400V	600V	800V
Type No.	PL05	PL20	PL40	PL60	PL80
Type No.	PL05S	PL20S	PL40S	PL60S	PL80S

ELECTRICAL CHARACTERISTICS PER LEG (at  $T_A=25^\circ\text{C}$  Unless Otherwise Specified)

Max. Forward Voltage Drop, $V_F=1.2\text{ V @ }I_F=$	1.0	Amp
Max. DC Reverse Current @ PRV and $25^\circ\text{C}$ , $I_R$	5.0	$\mu\text{A}$
Max. Peak Surge Current, $I_{FSM}(8.3\text{ms})$	50	Amp
Ambient Operating Temperature Range, $T_A$	-55 to +150	$^\circ\text{C}$
Storage Temperature Range, $T_{STG}$	-55 to +150	$^\circ\text{C}$

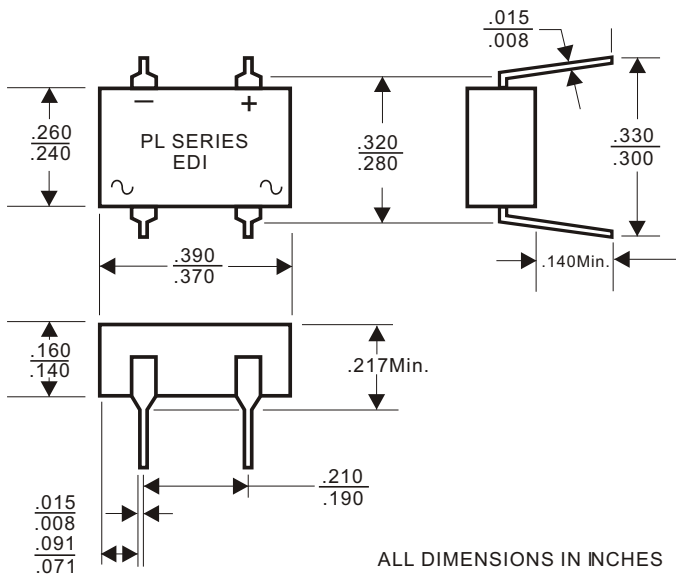
EDI reserves the right to change these specifications at any time without notice.

### CURRENT DERATING

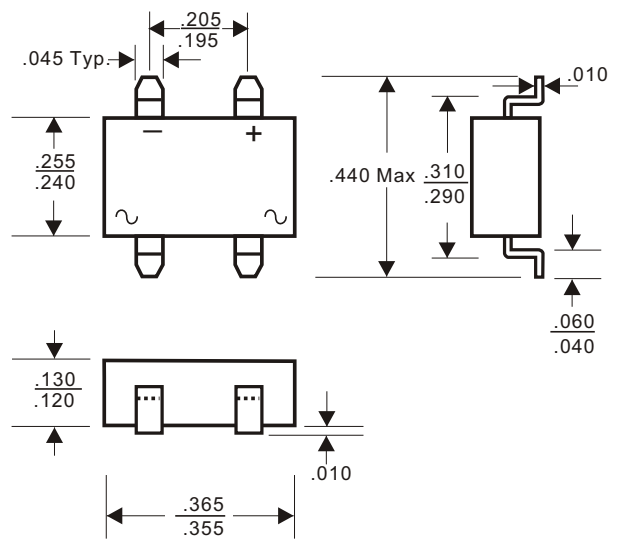


$T_A$  = AMBIENT TEMPERATURE (°C)  
 For Capacitive Load Derate Current by 20%

#### CASE STYLE PL



#### CASE STYLE PLS



ALL DIMENSIONS IN INCHES

**ELECTRONIC DEVICES, INC.** DESIGNERS AND MANUFACTURERS OF SOLID STATE DEVICES SINCE 1951.

21 GRAY OAKS AVENUE \* YONKERS, NEW YORK 10710 914-965-4400 \* FAX 914-965-5531 \* 1-800-678-0828

e-mail:sales@ediododes.com\* website: <http://www.ediododes.com>