

Broadband CATV Single Ended 2-Way Active Splitter 50 - 1100 MHz

M/A-COM Products
Rev. V1

Features

- 2-Way Splitter, 8.5 dB Gain
- Single Ended Input and Outputs
- 75 Ω Impedance
- 4.0 dB Noise Figure
- Single +5 Volt Supply
- Lead-Free 3 mm 12-Lead PQFN Package
- 100% Matte Tin Plating over Copper
- Halogen-Free "Green" Mold Compound
- RoHS* Compliant and 260°C Reflow Compatible

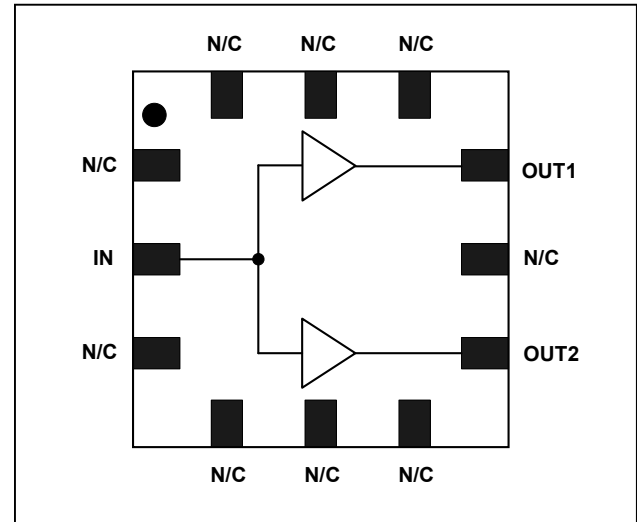
Description and Applications

M/A-COM's MAAM-007805 CATV 2-way active splitter is a GaAs MMIC which exhibits low noise figure and distortion in a lead-free PQFN plastic package. The MAAM-007805 employs a low noise, high linearity amplifier and power splitter functionality. The design features 75 Ω input and outputs.

The MAAM-007805 is ideally suited for multi-tuner set top boxes, home gateways, and other broadband internet based appliances.

The MAAM-007805 is fabricated using M/A-COM's PHEMT process to realize low noise and low distortion. The process features full passivation for robust performance and reliability.

Functional Schematic



Pin Configuration ³

Pin No.	Function	Pin No.	Function
1	No Connection	7	RF Output 2
2	RF Input	8	No Connection
3	No Connection	9	RF Output 1
4	No Connection	10	No Connection
5	No Connection	11	No Connection
6	No Connection	12	No Connection

3. The exposed pad centered on the package bottom must be connected to RF and DC ground.

Ordering Information ^{1,2}

Part Number	Package
MAAM-007805-TR1000	1000 piece reel
MAAM-007805-TR3000	3000 piece reel
MAAM-007805-001SMB	Sample Board, 50 - 1100 MHz Tuning

1. Reference Application Note M513 for reel size information.
2. All sample boards include 5 loose parts.

Absolute Maximum Ratings ^{4,5}

Parameter	Absolute Maximum
Max Input Power	+8 dBm
Vbias	+10.0 V
Operating Temperature	-40°C to +85°C
Storage Temperature	-65°C to +125°C

4. Exceeding any one or combination of these limits may cause permanent damage to this device.
5. M/A-COM does not recommend sustained operation near these survivability limits.

* Restrictions on Hazardous Substances, European Union Directive 2002/95/EC.

ADVANCED: Data Sheets contain information regarding a product M/A-COM is considering for development. Performance is based on target specifications, simulated results, and/or prototype measurements. Commitment to develop is not guaranteed.

PRELIMINARY: Data Sheets contain information regarding a product M/A-COM has under development. Performance is based on engineering tests. Specifications are typical. Mechanical outline has been fixed. Engineering samples and/or test data may be available. Commitment to produce in volume is not guaranteed.

- **North America** Tel: 800.366.2266 / Fax: 978.366.2266
- **Europe** Tel: 44.1908.574.200 / Fax: 44.1908.574.300
- **Asia/Pacific** Tel: 81.44.844.8296 / Fax: 81.44.844.8298

Visit www.macom.com for additional data sheets and product information.

M/A-COM Inc. and its affiliates reserve the right to make changes to the product(s) or information contained herein without notice.

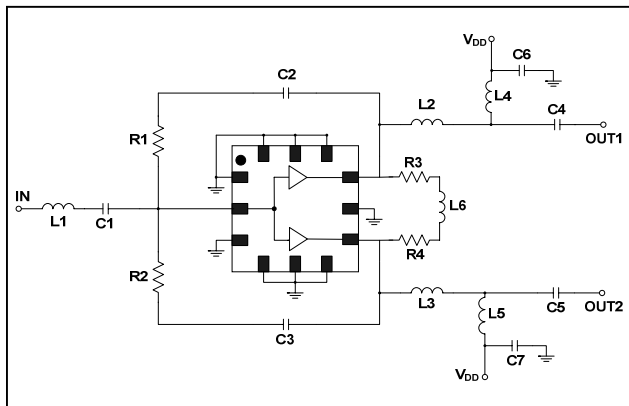
Broadband CATV Single Ended 2-Way Active Splitter 50 - 1100 MHz

M/A-COM Products
Rev. V1

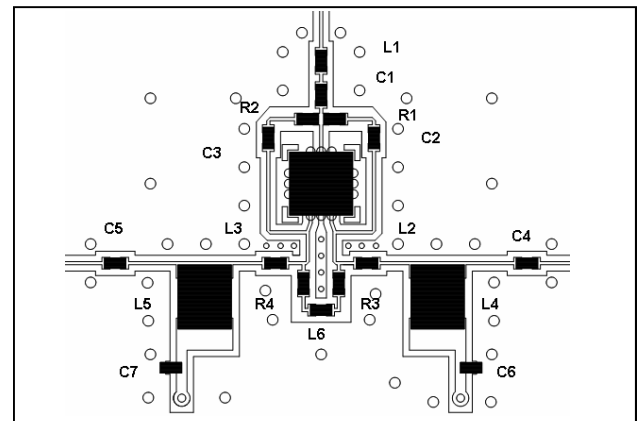
Electrical Specifications: F = 50 - 1000 MHz, T_A = 25°C, V_{DD} = +5 Volts, Z₀ = 75 Ω

Parameter	Test Conditions	Units	Min.	Typ.	Max.
Gain	In to Out1, In to Out2	dB	7.3	8.5	9.5
Gain Flatness	In to Out1, In to Out2	dB	—	0.75	1.2
Noise Figure	In to Out1, In to Out2	dB	—	4.0	4.5
Input Return Loss	Input	dB	—	19	—
Output Return Loss	Output	dB	—	18	—
Composite Triple Beat, CTB	132 channels, +15 dBmV/channel at the input.	dBc	—	-75	—
Composite Second Order, CSO	132 channels, +15 dBmV/channel at the input.	dBc	—	-60	—
Crossmodulation, XMOD	132 channels, +15 dBmV/channel at the input.	dBc	—	-60	—
Reverse Isolation	Out1 to In, Out2 to In	dB	—	20	—
Output to Output Isolation	Out1 to Out2	dB	—	25	—
P1dB	400 MHz	dBm	—	17	—
OIP3	Two tones at 1 MHz spacing, Pin at -10 dBm per tone 400 MHz	dBm	—	33	—
OIP2	Two tones at 1 MHz spacing, Pin at -10 dBm per tone 400 MHz	dBm	—	55	—
I _{DD}	V _{DD} = + 5 Volts	mA	—	100	120

Schematic PWB Layout



Recommended PCB Configuration



Off-Chip Component Values ⁶

Component	Value	Package
C1- C7	0.01 μF	0402
L1	4.7 nH	0402
L2 - L3	7.5 nH	0402
L4 - L5	1.0 μH	1210
L6	18 nH	0402
R1 - R2	560 ohms	0402
R3 - R4	91 ohms	0402

6. L4 and L5 supplied from EPCOS, part number B82422A1102K100.

ADVANCED: Data Sheets contain information regarding a product M/A-COM is considering for development. Performance is based on target specifications, simulated results, and/or prototype measurements. Commitment to develop is not guaranteed.

PRELIMINARY: Data Sheets contain information regarding a product M/A-COM has under development. Performance is based on engineering tests. Specifications are typical. Mechanical outline has been fixed. Engineering samples and/or test data may be available. Commitment to produce in volume is not guaranteed.

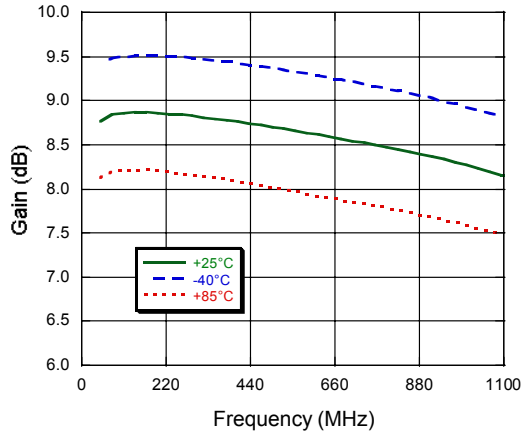
- **North America** Tel: 800.366.2266 / Fax: 978.366.2266
- **Europe** Tel: 44.1908.574.200 / Fax: 44.1908.574.300
- **Asia/Pacific** Tel: 81.44.844.8296 / Fax: 81.44.844.8298

Visit www.macom.com for additional data sheets and product information.

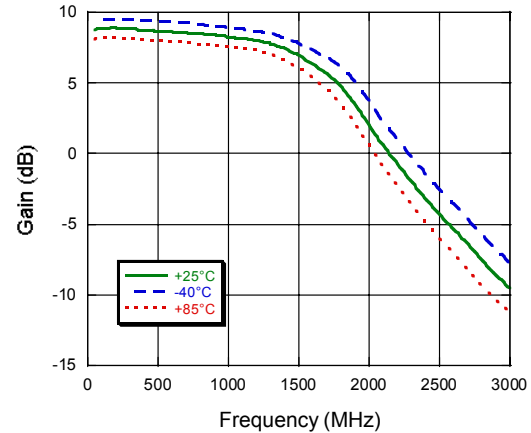
M/A-COM Inc. and its affiliates reserve the right to make changes to the product(s) or information contained herein without notice.

Typical Performance Curves

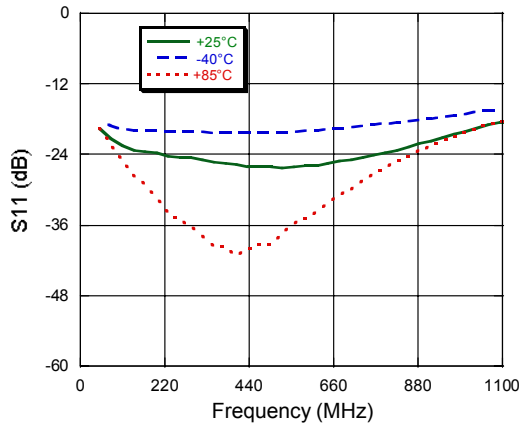
Gain vs. Frequency over Temperature



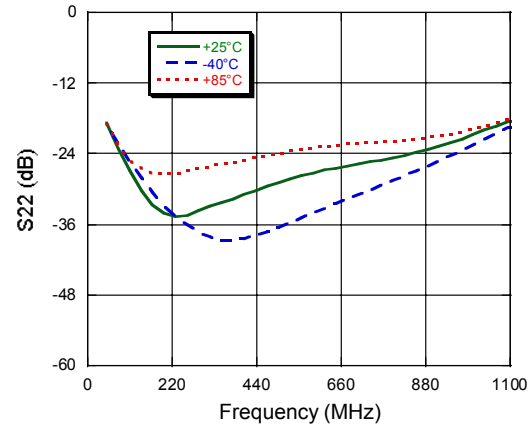
Gain vs. Frequency over Temperature to 3 GHz



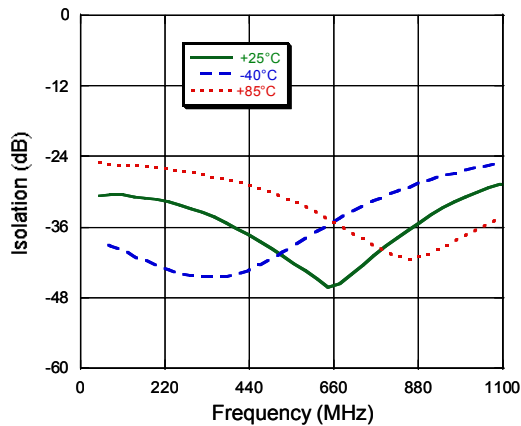
S11 vs. Frequency over Temperature



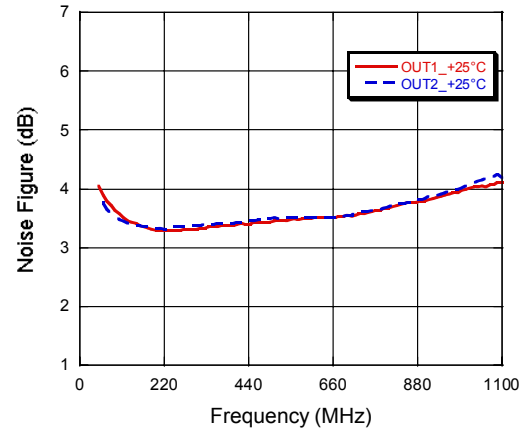
S22 vs. Frequency over Temperature



Isolation vs. Frequency over Temperature



Noise Figure



ADVANCED: Data Sheets contain information regarding a product M/A-COM is considering for development. Performance is based on target specifications, simulated results, and/or prototype measurements. Commitment to develop is not guaranteed.

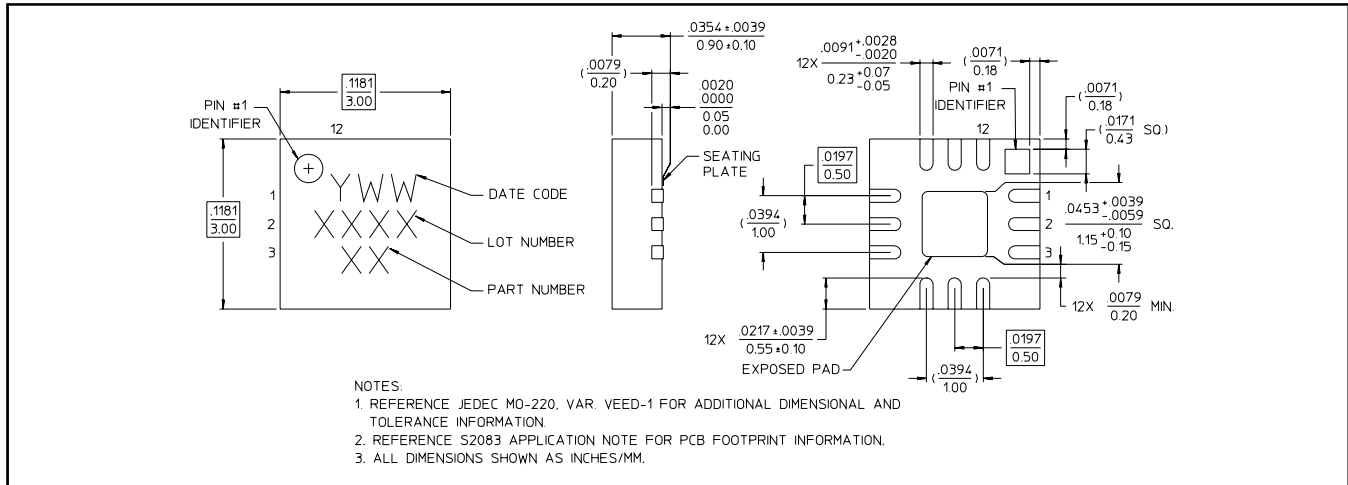
PRELIMINARY: Data Sheets contain information regarding a product M/A-COM has under development. Performance is based on engineering tests. Specifications are typical. Mechanical outline has been fixed. Engineering samples and/or test data may be available. Commitment to produce in volume is not guaranteed.

- **North America** Tel: 800.366.2266 / Fax: 978.366.2266
- **Europe** Tel: 44.1908.574.200 / Fax: 44.1908.574.300
- **Asia/Pacific** Tel: 81.44.844.8296 / Fax: 81.44.844.8298

Visit www.macom.com for additional data sheets and product information.

M/A-COM Inc. and its affiliates reserve the right to make changes to the product(s) or information contained herein without notice.

Lead-Free 3 mm 12-Lead PQFN[†]



[†] Reference Application Note M538 for lead-free solder reflow recommendations.
Meets JEDEC moisture sensitivity level 1 requirements.

Handling Procedures

Please observe the following precautions to avoid damage:

Static Sensitivity

Gallium Arsenide Integrated Circuits are sensitive to electrostatic discharge (ESD) and can be damaged by static electricity. Proper ESD control techniques should be used when handling these devices.