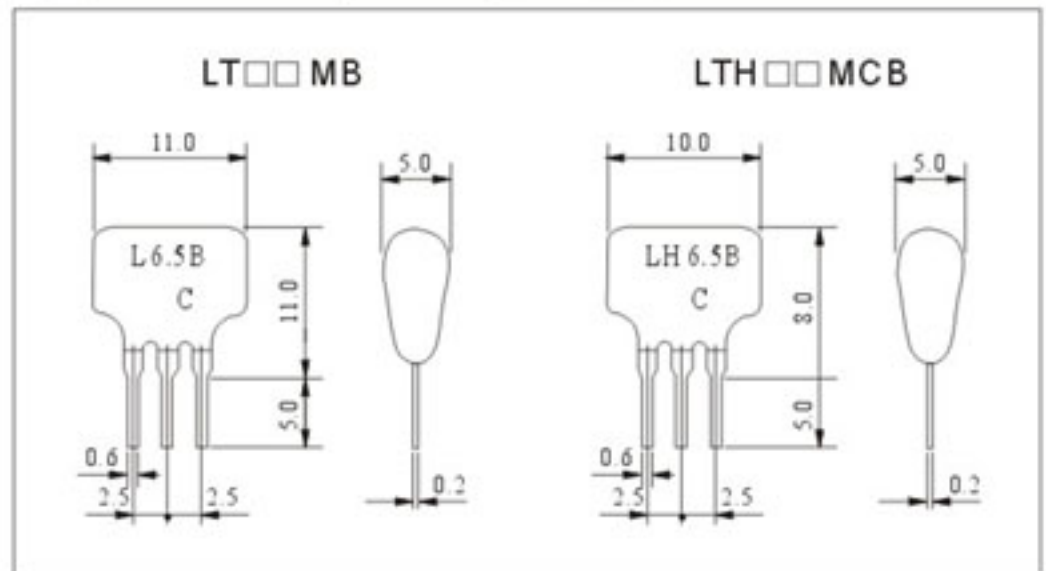
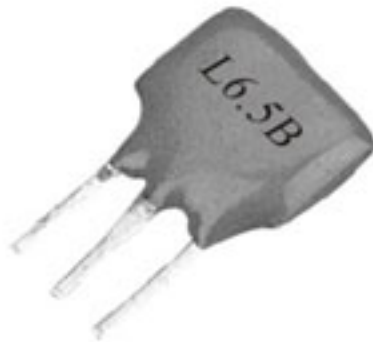


CERAMIC FILTER FOR TV/VTR

电视机/录像机用陶瓷滤波器

LT/LTH SERIES

DIMENSIONS(Unit:mm) 外形尺寸

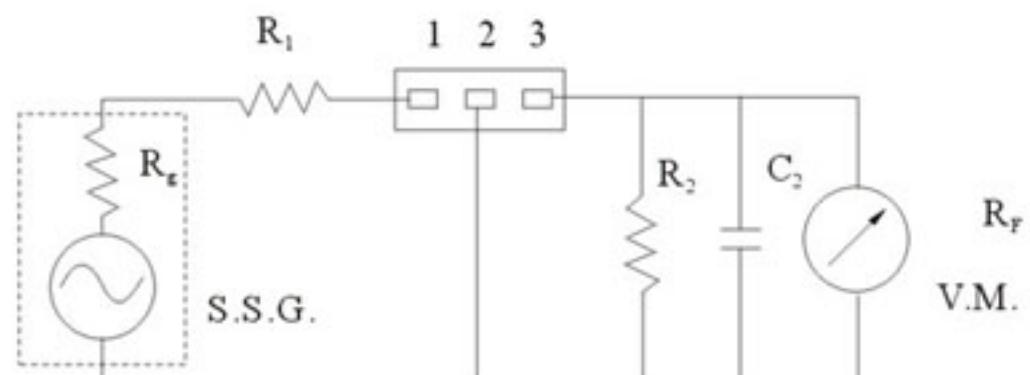


PRINCIPAL PARAMETERS 主要参数

Model 型号	3dB Band Width 3分贝带宽 (KHz)min	20dB Band Width 20分贝带宽 (KHz)max	Insertion Loss 插入损耗 (dB)max	Stop Band Att 阻带防卫度 (dB)min	Input/Output Impedance 输入/输出阻抗 (Ω)
LT4.5MB	± 60	530	6	20(4.5 $^{+0.8}_{-1.0}$ MHz内)	1K
LT5.5MB	± 75	550	6	25(5.5 ± 1 MHz内)	600
LT6.0MB	± 80	600	6	25(6.0 ± 1 MHz内)	470
LT6.5MB	± 80	630	6	25(6.5 ± 1 MHz内)	470
LTH4.5MCB	± 60	600	6	30(0 ± 4.5 MHz内)	1K
LTH5.5MCB	± 60	600	6	30(0 ± 5.5 MHz内)	600
LTH6.0MCB	± 60	600	6	30(0 ± 6.0 MHz内)	470
LTH6.5MCB	± 70	650	6	30(0 ± 6.5 MHz内)	470

TEST CIRCUIT 测量线路

LT/LTH


 $R_1 + R_2 = R_L$ (Input/output Impedance)

 (Include stray capacitance and input capacitance of R_L V.M.)

 $C = 10\text{pF}$ (包括杂散电容和射频电压表输入电容)