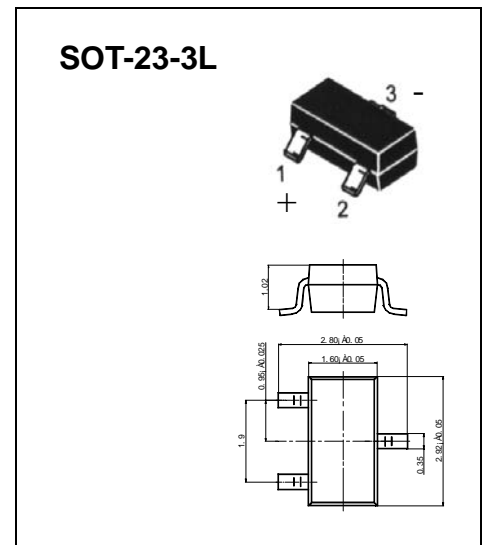


## RB491D Schottky barrier Diodes

### FEATURES

- Small surface mounting type
- Low reverse current and low forward voltage
- High reliability

Marking: D2D



### Maximum Ratings and Electrical Characteristics, Single Diode @ $T_A=25^\circ\text{C}$

Parameter	Symbol	Limits	Unit
Peak reverse voltage	$V_{RM}$	40	V
DC reverse voltage	$V_R$	40	V
Mean rectifying current	$I_O$	100	mA
Peak forward surge current	$I_{FSM}$	1	A
Junction temperature	$T_j$	125	$^\circ\text{C}$
Storage temperature	$T_{stg}$	-40~+125	$^\circ\text{C}$

### Electrical Ratings @ $T_A=25^\circ\text{C}$

Parameter	Symbol	Min.	Typ.	Max.	Unit	Conditions
Forward voltage	$V_{F1}$			0.53	V	$I_F=1\text{A}$
Reverse current	$I_R$			100	$\mu\text{A}$	$V_R=40\text{V}$