

TV SOUND OUTPUT CIRCUIT—YD5265

DESCRIPTION

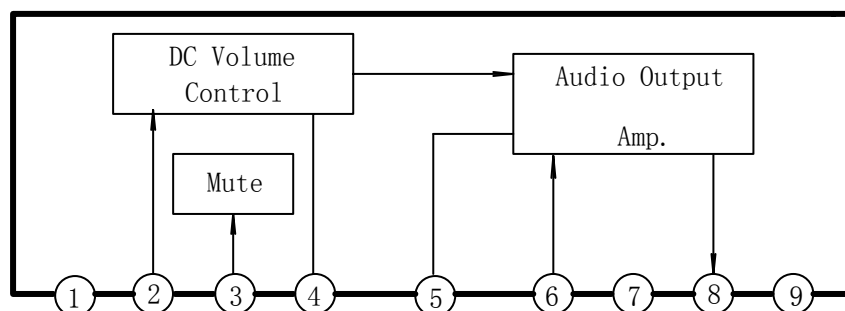
The YD5265 is a semiconductor integrated circuit designed for TV sound output circuit.

FEATURES

*DC Volume Adjustment Method Employed. Controlled with DC Voltage.

*Fin-attached 9-lead SIP package employed.

BLOCK DIAGRAM



WuXi YouDa Electronics Co., Ltd

Add: No.5 Xijin Road, National Hi-Tech Industrial Development Zone, Wuxi Jiangsu China

Tel: 86-510-85205117 86-510-85205106 Fax: 86-510-85205110 Website: www.e-youda.com

SHENZHEN OFFICE Tel: 86-755-83740369 Fax: 86-755-83741418

ABSOLUTE MAXIMUM RATINGS (Tamb=25°C)

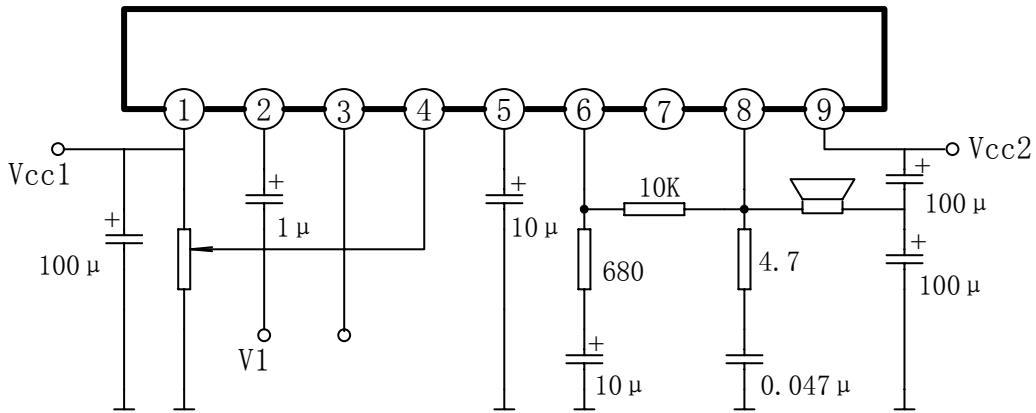
PARAMETER		SYMBOL	VALUE	UNIT
Supply Voltage(1)		V _{cc1}	14.4	V
Supply Voltage(2)		V _{cc2}	26	V
Circuit Voltage		V ₃₋₇	7	V
		V ₄₋₇	V _{cc1}	V
		V ₆₋₇	V _{cc2}	V
Circuit Current		I _{4P}	-10~+3	mA
		I _{8P}	-1.2~+1.2	A
Power Dissipation	Infinite Heat Sink	P _D		W
	No Heat Sink		1.6	
Operating Temperature		Tamb	-20 to +70	°C
Storage Temperature		Tstg	-55 to +150	°C

ELECTRICAL CHARACTERISTICS

(Tamb=25°C, Vcc1=12V, Vcc2=18V, f=1kHz, Unless otherwise specified)

PARAMETER	SYMBOL	TEST CONDITIONS	MIN	TYP	MAX	UNIT
Quiescent Circuit Current	I _{cc}	V ₄ =12V	7.1	9.5	11.9	mA
Output Power	P _o	V ₄ =12V, V ₃ =0V, THD=10%	2.0	2.3		W
Voltage Gain	A _v	V ₄ =12V, V ₃ =0V, V _i =0.1V	28.5	30.5	32.5	dB
Total Harmonic Distortion	THD	V ₄ =12V, V ₃ =0V, P _o =1W		0.8	1.2	%
Max. Attenuation Amount	Att	V ₃ =0V, V _i =0.1V, V ₄ =Ration between 12 and 0V		-95	-85	dB
Output Noise Voltage	V _{NO}	V ₃ =0V, V ₄ =0V, V _i =0V		0.6	1.0	mV
Muting Operation Voltage	V ₃	V ₄ =12V, V ₈ =0V	2.45	2.65	2.85	V

APPLICATION CIRCUIT



OUTLINE DRAWING

