

## TV SOUND POWER AMPLIFIER—YD2611

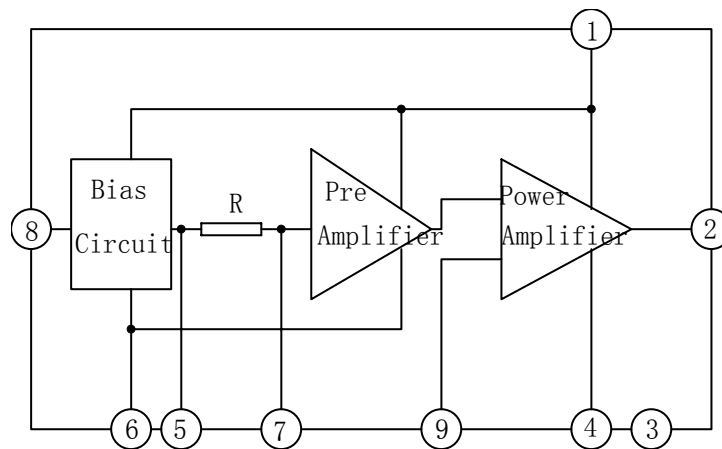
### DESCRIPTION

The YD2611 is a monolithic integrated circuit designed for the TV sound power amplifier. It also can be used in audio power amplifier sets.

### FEATURES

- \*Wide operating voltage (6V to 35V)
- \* Few external components
- \*Fixed Closed Loop Gain
- \*High input impedance
- \*Built-in thermal protection circuit
- \*Fine ripple rejection characteristic

### BLOCK DIAGRAM



### WuXi YouDa Electronics Co., Ltd

Add: No.5 Xijin Road, National Hi-Tech Industrial Development Zone, Wuxi Jiangsu China

Tel: 86-510-85205117 86-510-85205106 Fax: 86-510-5205110 Website: www.e-youda.com

SHENZHEN OFFICE Tel: 86-755-83740369 Fax: 86-755-83741418

**ABSOLUTE MAXIMUM RATINGS** (Tamb=25°C)

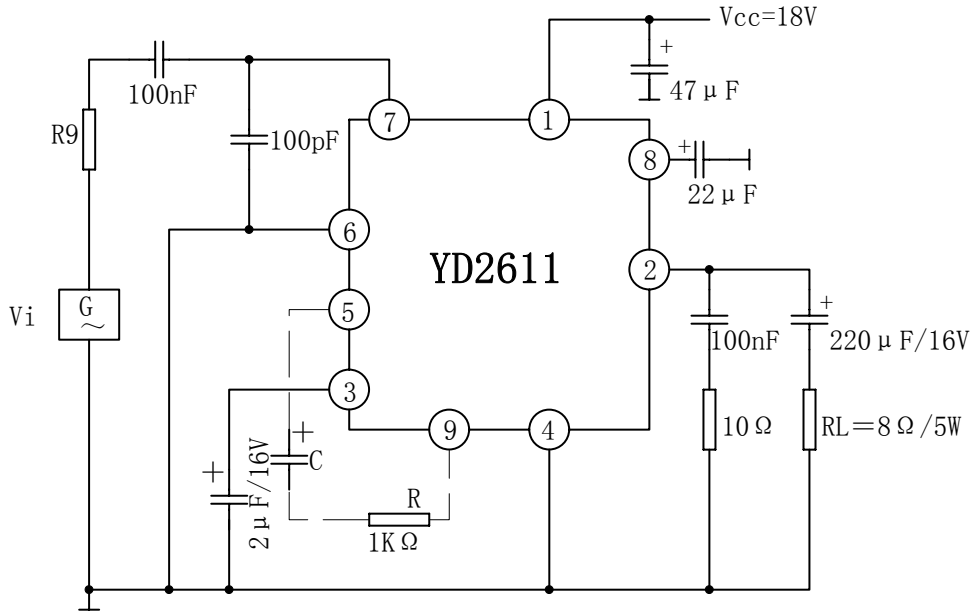
PARAMETER	SYMBOL	VALUE	UNIT
Supply Voltage	Vcc	35	V
Pulse Peak Output Current	Ios	3	A
Peak Output Current(continuously)	Ior	1.5	A
Operating Temperature	Topr	-25 to +75	°C
Storage Temperature	Tstg	-55 to +150	°C

**ELECTRICAL CHARACTERISTICS**

(Tamb=25°C, Vcc=18V, RL=8 Ω, f=1kHz, Unless otherwise specified)

PARAMETER	SYMBOL	TEST CONDITIONS	MIN	TYP	MAX	UNIT
Quiescent Current	Icc	No input Signal		25		mA
Output Power	Po	Vcc=18V, RL=8 Ω, THD=10%	4	4.5		W
		Vcc=12V, RL=8 Ω, THD=10%		1.7		
		Vcc=20V, RL=15 Ω, THD=10%		6		
		Vcc=25V, RL=8 Ω, THD=10%		5		
Voltage Gain	Gv			38		dB
Total Harmonic Distortion	THD	Po=2W		0.3	1.0	%
Bandwidth	BW		15			kHz
Noise Output Voltage	Vno	Rg=5 k Ω, 60HZ~15KHz		0.2	0.5	mV
Input Impedance	Zi			45		k Ω
Input Sensitivity	Vis	Po=2.5W, RL=8 Ω	44	55	66	mV
		Po=4.2W		83		

APPLICATION CIRCUIT



OUTLINE DRAWING

