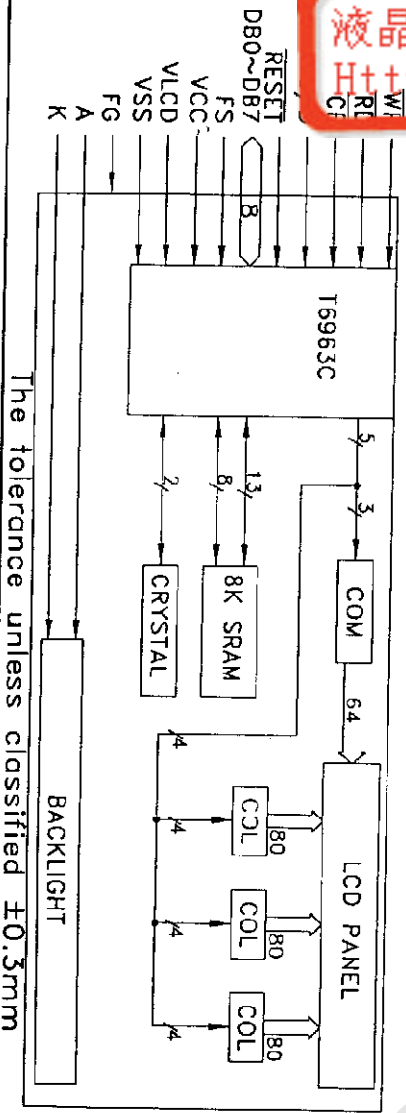
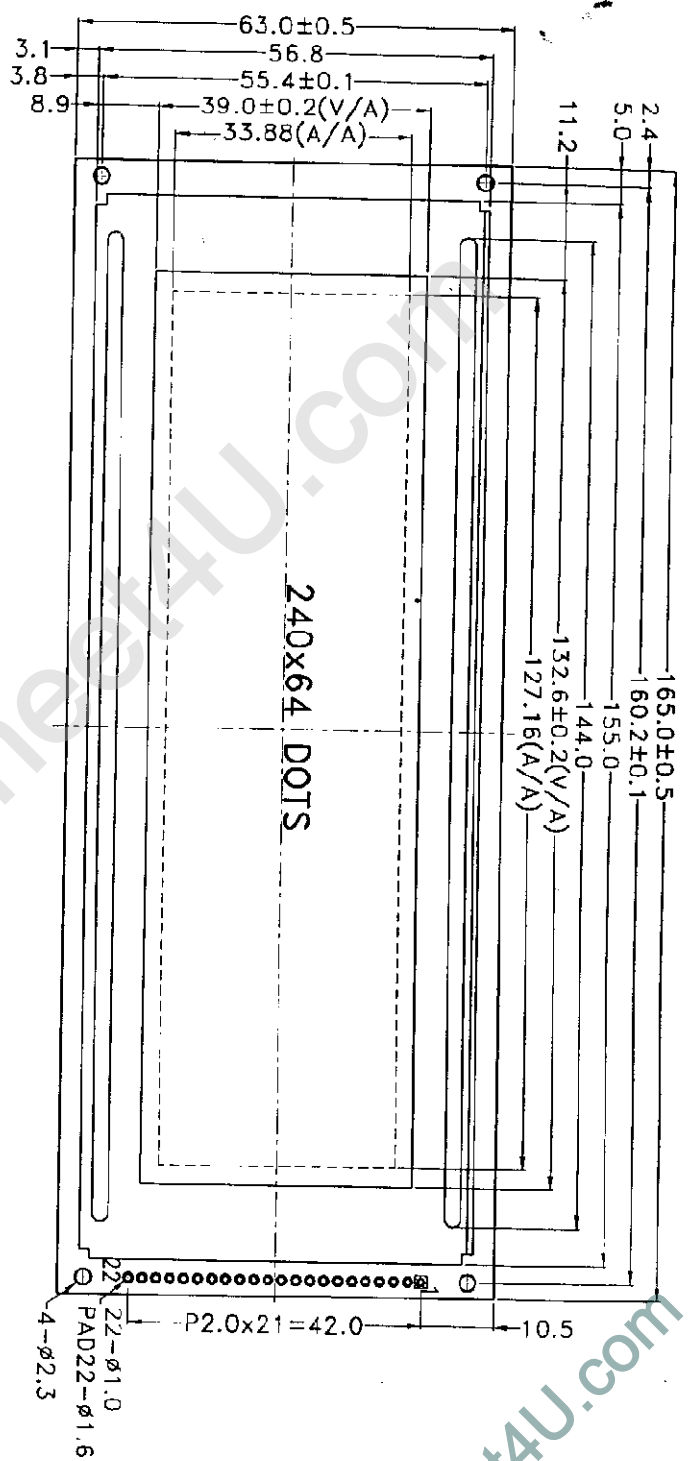
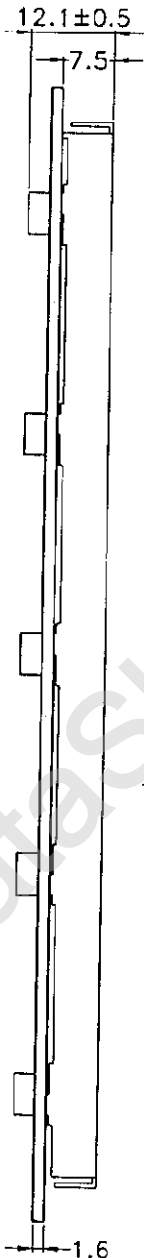


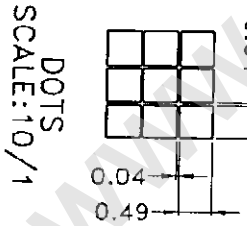
液晶之友 电话: 020-33819057  
[Http://www.lcdfriends.com](http://www.lcdfriends.com)



The tolerance unless classified  $\pm 0.3\text{mm}$



240X64 DOTS



DOTS  
SCALE: 10/1

PIN NO.	SIGNAL
1	FG
2	VSS
3	VCC
4	VLCD
5	WR
6	RD
7	OE
8	C/D
9	NC
10	RESET
11	DB0
12	DB1
13	DB2
14	DB3
15	DB4
16	DB5
17	DB6
18	DB7
19	FS
20	NC
21	LED A
22	LED K

TECHNOLOGY

MODEL NAME

PS 24064LRF-KTA-H01

TITLE

COUNTER DRAWING

UNIT: mm

EDI: PAGE: DRAWN NO.

PG-01014-001

0 1/1

CHIEF DESIGNER

何瑞强

DATE

91.1.31

DESIGNER

何瑞强

CHECKER

何瑞强

DATE

91.1.31

DRAWN

何瑞强

DATE

91.1.31

DESIGNER

何瑞强

DATE

91.1.31

CHIEF DESIGNER

何瑞强

DATE

91.1.31

DRAWN

何瑞强

DATE

91.1.31

CHIEF DESIGNER

何瑞强

DATE

91.1.31

DRAWN

何瑞强

