

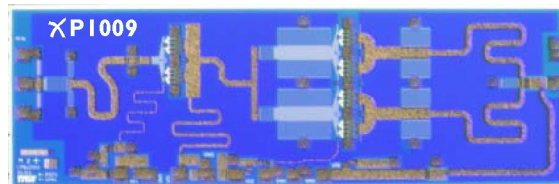
17.0-21.0 GHz GaAs MMIC Power Amplifier

May 2006 - Rev 10-May-06

Features

- X Excellent Linear Output Amplifier Stage
- X 20.0 dB Small Signal Gain
- X +29.5 dBm P1dB Compression Point
- X +38.0 dBm Third Order Intercept (OIP3)
- X 100% On-Wafer RF, DC and Output Power Testing
- X 100% Visual Inspection to MIL-STD-883 Method 2010

Chip Device Layout



General Description

Mimix Broadband's two stage 17.0-21.0 GHz GaAs MMIC power amplifier is optimized for linear operation with a third order intercept point of +38.0 dBm. This MMIC uses Mimix Broadband's 0.15 μm GaAs PHEMT device model technology, and is based upon electron beam lithography to ensure high repeatability and uniformity. The chip has surface passivation to protect and provide a rugged part with backside via holes and gold metallization to allow either a conductive epoxy or eutectic solder die attach process. This device is well suited for Millimeter-wave Point-to-Point Radio, LMDS, SATCOM and VSAT applications.

Absolute Maximum Ratings

Supply Voltage (Vd)	+5.5 VDC
Supply Current (Id1,2)	330,660 mA
Gate Bias Voltage	+0.3 VDC
Input Power (Pin)	+12 dBm
Storage Temperature (Tstg)	-65 to +165 °C
Operating Temperature (Ta)	-55 to MTTF TABLE ³
Channel Temperature (Tch)	MTTF Table ³

(3) Channel temperature affects a device's MTTF. It is recommended to keep channel temperature as low as possible for maximum life.

Electrical Characteristics (Ambient Temperature T = 25 °C)

Parameter	Units	Min.	Typ.	Max.
Frequency Range (f)	GHz	17.0	-	21.0
Input Return Loss (S11)	dB	-	8.0	-
Output Return Loss (S22)	dB	-	7.0	-
Small Signal Gain (S21)	dB	-	20.0	-
Gain Flatness ($\Delta S21$)	dB	-	+/-0.5	-
Reverse Isolation (S12)	dB	-	-	-
Output Power for 1 dB Compression (P1dB) ²	dBm	-	+29.5	-
Output Third Order Intercept Point (OIP3) ^{1,2}	dBm	-	+38.0	-
Drain Bias Voltage (Vd1,2)	VDC	-	+5.0	-
Gate Bias Voltage (Vg1,2)	VDC	-1.0	-0.3	0.0
Supply Current (Id) (Vd=5.0V, Vg=-0.3V Typical)	mA	-	900	-

(1) Measured at +18 dBm per tone output carrier level across the full frequency band.

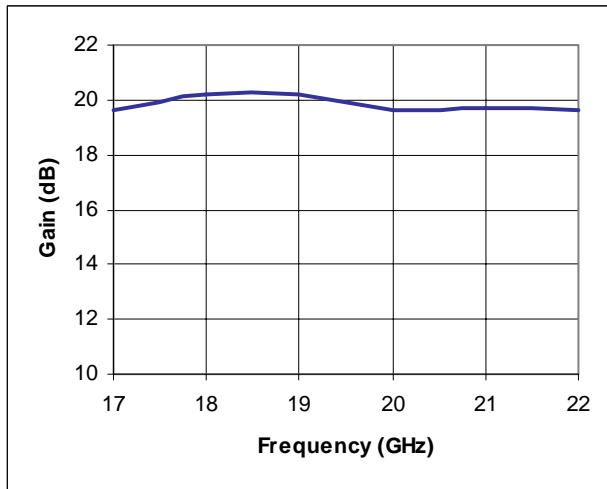
(2) Measured using constant current.

17.0-21.0 GHz GaAs MMIC Power Amplifier

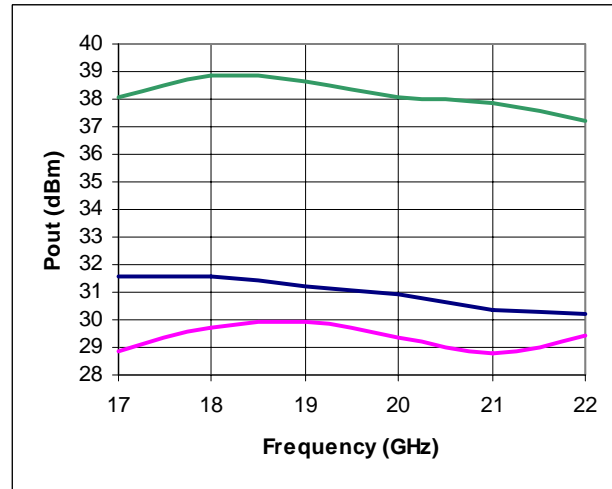
Power Amplifier Measurements

Measured performance characteristics (Typical at 25°C)

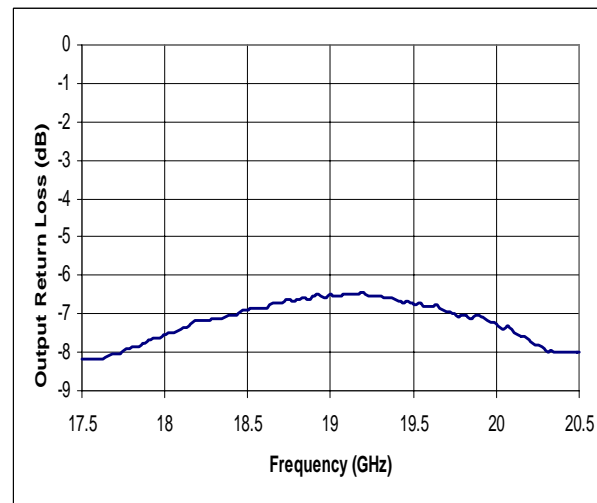
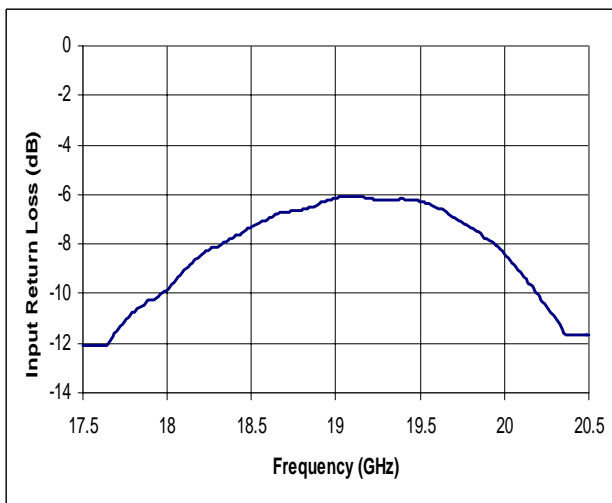
Vd1= 5 V, Id= 300 mA; Vd2= 5V, Vd2= 600 mA



*Fixture data



*Fixture data P1dB Psat IP3@18dBm/Tone



17.0-21.0 GHz GaAs MMIC Power Amplifier

S-Parameters

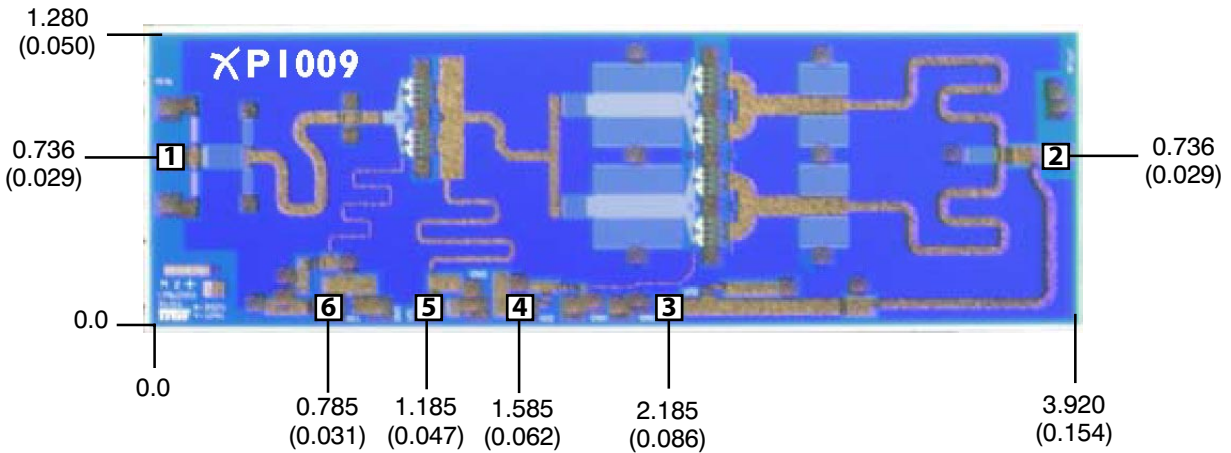
Measured performance characteristics (Typical at 25°C)

Vd1= 5 V, Id= 300 mA; Vd2= 5V, Vd2= 600 mA

FreqGHz	S11Mag	11Ang	S21Mag	21Ang	S12Mag	S12Ang	S22Mag	S22Ang
17.5	-12.1	152.45	-49.302	25.102	20.483	89.053	-8.18	80.704
17.752	-11.083	148.677	-49.981	-2.561	20.551	78.835	-7.96	76.458
18.004	-9.815	141.67	-48.911	-22.915	20.729	53.522	-7.52	68.884
18.256	-8.232	137.03	-49.572	-31.609	20.672	28.712	-7.192	62.961
18.508	-7.303	134.36	-50.903	-81.416	20.761	5.571	-6.904	59.498
18.76	-6.66	135.133	-48.936	-101.36	20.685	-18.044	-6.632	56.325
19.012	-6.134	136.387	-51.589	-65.147	20.604	-40.128	-6.522	53.576
19.246	-6.229	140.378	-49.295	-83.276	20.443	-60.3	-6.538	52.3
19.498	-6.278	142.695	-46.339	-39.293	20.622	-82.436	-6.732	52.947
19.75	-7.16	146.815	-47.459	72.955	20.326	-104.583	-7.011	54.435
20.002	-8.421	152.483	-49.064	117.411	20.405	-127.721	-7.269	57.592
20.254	-10.568	158.787	-50.862	-7.302	20.472	-152.625	-7.822	62.087
20.5	-11.674	165.758	-46.658	43.109	20.552	-164.338	-8.006	64.406

17.0-21.0 GHz GaAs MMIC Power Amplifier

Mechanical Drawing

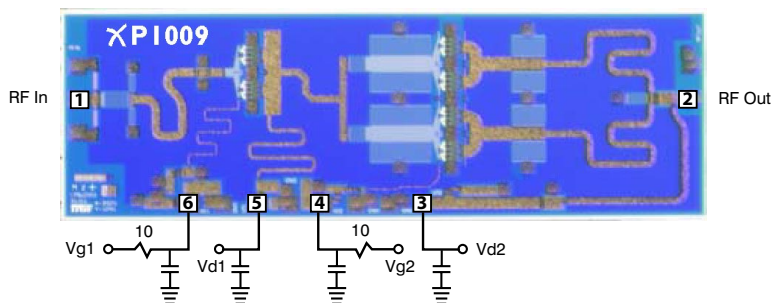


Units: millimeters (inches) Bond pad dimensions are shown to center of bond pad.
Thickness: 0.110 +/- 0.010 (0.0043 +/- 0.0004), Backside is ground, Bond Pad/Backside Metallization: Gold
All Bond Pads are 0.100 x 0.100 (0.004 x 0.004).

Bond pad centers are approximately 0.109 (0.004) from the edge of the chip.
Dicing tolerance: +/- 0.005 (+/- 0.0002). Approximate weight: 3.111 mg.

Bond Pad #1 (RF In)	Bond Pad #4 (Vg2)
Bond Pad #2 (RF Out)	Bond Pad #5 (Vd1)
Bond Pad #3 (Vd2)	Bond Pad #6 (Vg1)

Bias Arrangement



Bypass Capacitors - See App Note [2]

17.0-21.0 GHz GaAs MMIC Power Amplifier

App Note [1] Biasing - It is recommended to separately bias each stage at $V_d(1,2)=5.0V$ $I_{d1}=300mA$, and $I_{d2}=600mA$. It is also recommended to use active biasing to keep the currents constant as the RF power and temperature vary; this gives the most reproducible results. Depending on the supply voltage available and the power dissipation constraints, the bias circuit may be a single transistor or a low power operational amplifier, with a low value resistor in series with the drain supply used to sense the current. The gate of the pHEMT is controlled to maintain correct drain current and thus drain voltage. The typical gate voltage needed to do this is $-0.3V$. Typically the gate is protected with Silicon diodes to limit the applied voltage. Also, make sure to sequence the applied voltage to ensure negative gate bias is available before applying the positive drain supply.

App Note [2] Bias Arrangement -

For Parallel Stage Bias (Recommended for general applications) -- The same as Individual Stage Bias but all the drain or gate pad DC bypass capacitors ($\sim 100-200$ pF) can be combined. Additional DC bypass capacitance (~ 0.01 uF) is also recommended to all DC or combination (if gate or drains are tied together) of DC bias pads.

For Individual Stage Bias (Recommended for Saturated Applications) -- Each DC pad ($V_{d1,2}$ and $V_{g1,2}$) needs to have DC bypass capacitance ($\sim 100-200$ pF) as close to the device as possible. Additional DC bypass capacitance (~ 0.01 uF) is also recommended.

MTTF Table (TBD)

These numbers were calculated based on accelerated life test information and thermal model analysis received from the fabricating foundry.

Backplate Temperature	Channel Temperature	Rth	MTTF Hours	FITs
55 deg Celsius	deg Celsius	C/W	E+	E+
75 deg Celsius	deg Celsius	C/W	E+	E+
95 deg Celsius	deg Celsius	C/W	E+	E+

Bias Conditions: $V_{d1}=V_{d2}=5.0V$, $I_{d1}=300$ mA, $I_{d2}=600$ mA

17.0-21.0 GHz GaAs MMIC Power Amplifier

May 2006 - Rev 10-May-06

Handling and Assembly Information

CAUTION! - Mimix Broadband MMIC Products contain gallium arsenide (GaAs) which can be hazardous to the human body and the environment. For safety, observe the following procedures:

- *Do not ingest.*
- *Do not alter the form of this product into a gas, powder, or liquid through burning, crushing, or chemical processing as these by-products are dangerous to the human body if inhaled, ingested, or swallowed.*
- *Observe government laws and company regulations when discarding this product. This product must be discarded in accordance with methods specified by applicable hazardous waste procedures.*

Life Support Policy - Mimix Broadband's products are not authorized for use as critical components in life support devices or systems without the express written approval of the President and General Counsel of Mimix Broadband. As used herein: (1) Life support devices or systems are devices or systems which, (a) are intended for surgical implant into the body, or (b) support or sustain life, and whose failure to perform when properly used in accordance with instructions for use provided in the labeling, can be reasonably expected to result in a significant injury to the user. (2) A critical component is any component of a life support device or system whose failure to perform can be reasonably expected to cause the failure of the life support device or system, or to affect its safety or effectiveness.

ESD - Gallium Arsenide (GaAs) devices are susceptible to electrostatic and mechanical damage. Die are supplied in antistatic containers, which should be opened in cleanroom conditions at an appropriately grounded anti-static workstation. Devices need careful handling using correctly designed collets, vacuum pickups or, with care, sharp tweezers.

Die Attachment - GaAs Products from Mimix Broadband are 0.100 mm (0.004") thick and have vias through to the backside to enable grounding to the circuit. Microstrip substrates should be brought as close to the die as possible. The mounting surface should be clean and flat. If using conductive epoxy, recommended epoxies are Ablestick 84-1LMI or 84-1LMI cured in a nitrogen atmosphere per manufacturer's cure schedule. Apply epoxy sparingly to avoid getting any on to the top surface of the die. An epoxy fillet should be visible around the total die periphery. If eutectic mounting is preferred, then a fluxless gold-tin (AuSn) preform, approximately 0.001² thick, placed between the die and the attachment surface should be used. A die bonder that utilizes a heated collet and provides scrubbing action to ensure total wetting to prevent void formation in a nitrogen atmosphere is recommended. The gold-tin eutectic (80% Au 20% Sn) has a melting point of approximately 280°C (Note: Gold Germanium should be avoided). The work station temperature should be 310°C ± 10°C. Exposure to these extreme temperatures should be kept to minimum. The collet should be heated, and the die pre-heated to avoid excessive thermal shock. Avoidance of air bridges and force impact are critical during placement.

Wire Bonding - Windows in the surface passivation above the bond pads are provided to allow wire bonding to the die's gold bond pads. The recommended wire bonding procedure uses 0.076 mm x 0.013 mm (0.003" x 0.0005") 99.99% pure gold ribbon with 0.5-2% elongation to minimize RF port bond inductance. Gold 0.025 mm (0.001") diameter wedge or ball bonds are acceptable for DC Bias connections. Aluminum wire should be avoided. Thermo-compression bonding is recommended though thermosonic bonding may be used providing the ultrasonic content of the bond is minimized. Bond force, time and ultrasonics are all critical parameters. Bonds should be made from the bond pads on the die to the package or substrate. All bonds should be as short as possible.