

XC74WL34AASR



CMOS Logic

- ◆ CMOS Logic Dual Bus Buffer
- ◆ Operating Voltage Range : 2V ~ 5.5V
- ◆ High Speed Operations : tpd =2.05ns TYP
- ◆ Low Power Consumption : 1μA (max)
- ◆ MSOP-8B Package

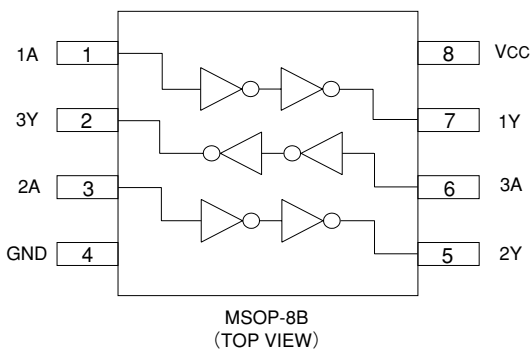
■ Description

XC74WL34AASR is Triple Buffer manufactured using silicon gate CMOS processes. The small quiescent current, which is one of the features of the CMOS logic, gives way to high speed operations which enables LS-TTL.

With wave forming buffers connected internally, stabilized output can be achieved as the series offers high noise immunity.

As the series is integrated into a mini molded, MSOP-8B package, high density mounting is possible.

■ Pin Configuration



■ Applications

- Palmtops
- Digital Equipment

■ Features

- High Speed Operations : tpd = 2.05ns TYP (Vcc=5V)
- Operating Voltage Range: 2V ~ 5.5V
- Low Power Consumption: 1μA (max)
- Small Package : MSOP-8B

■ Functions

INPUT	OUTPUT
A	Y
H	H
L	L

H = High Level
L = Low Level

■ Absolute Maximum Ratings

Ta = -40°C ~ 85°C

PARAMETER	SYMBOL	RATINGS	UNITS
Power Supply Voltage	VCC	-0.5~+6.0	V
Input Voltage	VIN	-0.5~+6.0	V
Output Voltage	VOU	-0.5~VCC+0.5	V
Input Diode Current	IiK	-20	mA
Output Diode Current	IOK	±20	mA
Switch Output Current	IOU	±25	mA
VCC, GND Current	ICC, IGND	±50	mA
Power Dissipation (Ta=25°C)	Pd	300	mW
Storage Temperature	Tstg	-65~+150	°C

Note : Voltage is all Ground standardized.

Recommended Operating Conditions

PARAMETER	SYMBOL	CONDITIONS	UNITS
Supply Voltage	VCC	2~5.5	V
Input Voltage	VIN	0~5.5	V
Output Voltage	VOUT	0~VCC	V
Operating Temperature	Topr	-40~+85	°C
Input Rise and Fall Time	tr, tf	0~200 (VCC=3.3V)	ns
		0~100 (VCC=5V)	

DC Electrical Characteristics

PARAMETER	SYMBOL	VCC (V)	CONDITIONS	Ta=25°C			Ta=-40~85°C		UNITS		
				MIN	TYP	MAX	MIN	MAX			
Input Voltage	VIH	2.0		1.5	—	—	1.5	—	V		
		3.0		2.1	—	—	2.1	—			
		5.5		3.85	—	—	3.85	—			
	VIL	2.0		—	—	0.5	—	0.5	V		
		3.0		—	—	0.9	—	0.9			
		5.5		—	—	1.65	—	1.65			
Output Voltage	VOH	2.0	VIN=VIH	IOH=-50 μA	1.9	2.0	—	1.9	—	V	
		3.0			2.9	3.0	—	2.9	—		
		4.5			4.4	4.5	—	4.4	—		
		3.0		IOH=-4mA	2.58	—	—	2.48	—		
		4.5			IOH=-8mA	3.94	—	—	3.80		—
		5.5				—	—	—	—		—
	VOL	VIN=VIL	IOL=50 μA	2.0	—	—	0.1	—	0.1	V	
				3.0	—	—	0.1	—	0.1		
				4.5	—	—	0.1	—	0.1		
			3.0	IOL=4mA	—	—	0.36	—	0.44		
			4.5		IOL=8mA	—	—	0.36	—		0.44
			5.5			—	—	—	—		—
Input Current	IIN	0~5.5	VIN=VCC or GND	-0.1	—	0.1	-1.0	1.0	μA		
Quiescent Supply Current	ICC	5.5	VIN=VCC or GND, IOU=0 μA	—	—	1.0	—	10.0	μA		

Switching Electrical Characteristics

(tr=tf=3ns)

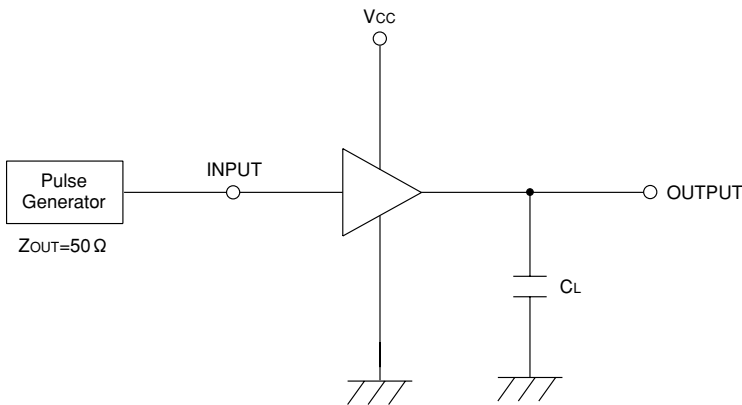
PARAMETER	SYMBOL	CL	VCC (V)	CONDITIONS	Ta=25°C			Ta=-40~85°C		UNITS
					MIN	TYP	MAX	MIN	MAX	
Propagation Delay Time	tPLH tPHL	15pF	3.3		—	2.7	7.1	1	8.5	ns
			5.0		—	2.1	5.5	1	6.5	
		50pF	3.3		—	4.1	10.6	1	12	ns
			5.0		—	3.2	7.5	1	8.5	
	tPLH tPHL	15pF	3.3		—	2.5	7.1	1	8.5	ns
			5.0		—	2.0	5.5	1	6.5	
		50pF	3.3		—	3.9	10.6	1	12	ns
			5.0		—	3.0	7.5	1	8.5	
Input Capacitance	CIN	—	5.0	VIN=VCC or GND	—	2	10	—	10	pF
Power Dissipation Capacitance	Cpd	No Load, f=1MHz			—	8.9	—	—	—	pF

Noise Characteristics

($t_r=t_f=3\text{ns}$)

PARAMETER	SYMBOL	CONDITIONS		Ta=25°C			UNITS
		CL	VCC(V)	MIN	TYP	MAX	
Not functioning output maximum dynamic VOL	VOLP	50pF	5.0	—	0.3	0.8	V
Not functioning output minimum dynamic VOL	VOLV	50pF	5.0	-0.8	-0.3	—	V
Minimum dynamic VIH	VIHD	50pF	5.0	—	—	3.5	V
Maximum dynamic VIL	VILD	50pF	5.0	—	—	1.5	V

Typical Application Circuit



Waveforms

