

XC31B Series

CMOS Temperature Sensor



- ◆ Low Power Consumption : $7 \mu A$
($V_{OUT}=2V$ TYP.)
- ◆ Operating Voltage Range : 3.0V ~ 10.0V
- ◆ Output Voltage Temperature Coefficient
: $-3900\text{ppm}/^{\circ}\text{C}$ (TYP.)
- ◆ SOT-25 and USP-6B Packages

APPLICATIONS

- Mobile phones
- Portable AV equipment
- Palm top computers, PDAS
- Battery powered equipment

GENERAL DESCRIPTION

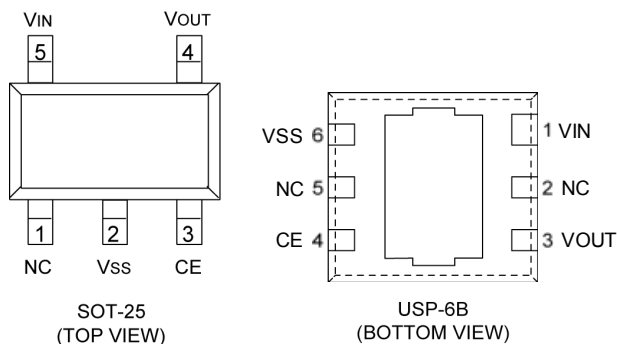
The XC31B series are ultra small CMOS temperature sensor ICs. As a bandgap type temperature sensor is built-into the XC31B, linearity, in comparison to thermistor type temperature sensors, is much better.

The operating temperature range of the series is from -30°C to $+80^{\circ}\text{C}$. The XC31B comes in a mini molded SOT-25 and USP-6B packages with a supply current of only $7 \mu A$ ($@V_{OUT}=2.0V$) and as such, is suitable for use with various portable devices. Output voltage is selectable in 100mV increments within a range of 2.0V to 6.0V (at 25°C).

FEATURES

- Operating Voltage Range** : 3.0V ~ 10.0V
- Output Voltage Range** : 2.0V ~ 6.0V
- Output Voltage Accuracy** : $\pm 3\%$
- Detectable Temperature Range** : -30°C ~ $+80^{\circ}\text{C}$
- Output Voltage Temp. Coefficient**: $-3900\text{ppm}/^{\circ}\text{C}$ (TYP.)
- Low Power Consumption** : $7 \mu A$ ($@V_{OUT}=2.0V$)

PIN CONFIGURATION



*The dissipation pad for the USP-6B package should be solder-plated in recommended mount pattern and metal masking so as to enhance mounting strength and heat release.
If the pad needs to be connected to other pins, it should be connected to the Vss pin.

PIN ASSIGNMENT

PIN NUMBER		PIN NAME	FUNCTION
SOT25	USP-6B		
1	2, 5	NC	No Connection
2	6	Vss	Ground
3	4	CE	Chip Enable
4	3	VOUT	Output
5	1	VIN	Power Supply

PRODUCT CLASSIFICATION

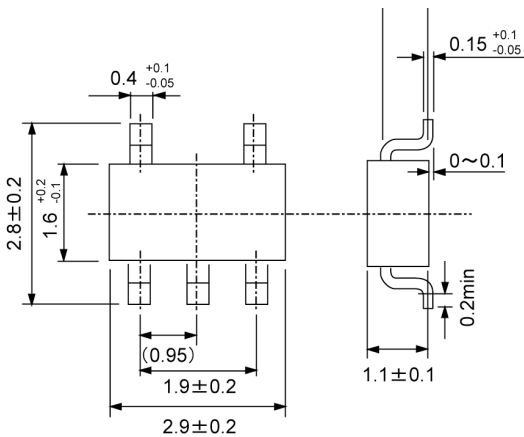
Ordering Information

XC31B①②③④⑤⑥⑦

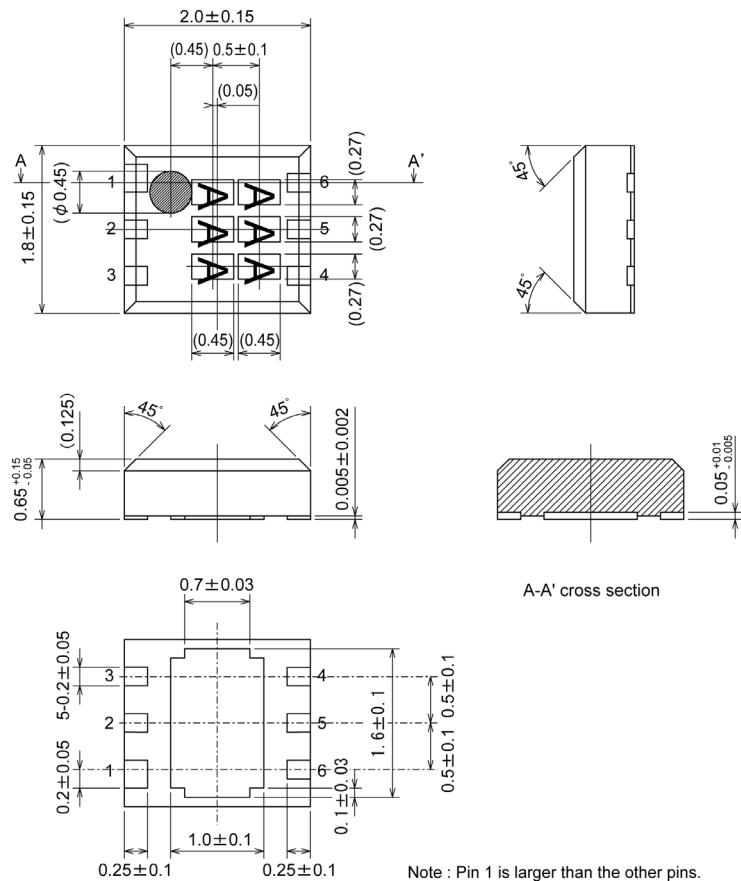
DESIGNATOR	DESCRIPTION	SYMBOL	DESCRIPTION
①	Polarity of Output Voltage	P	: + (Positive)
②	Temperature Coefficient	N	: - (Negative)
③ ④	Output Voltage (25°C)	20~60	: e.g. 20=2.0V, 30=3.0V
⑤	Revision Character	A ~	: -
⑥	Package	M	: SOT-25 (SOT-23-5)
		D	: USP-6B
⑦	Device Orientation	R	: Embossed tape, standard feed
		L	: Embossed tape, reverse feed

PACKAGING INFORMATION

SOT-25

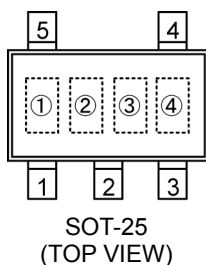


USP-6B



MARKING RULE

● SOT-25



① Based on internal standards

② Represents integer of output voltage

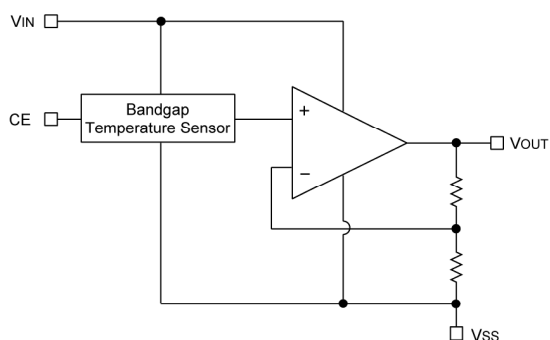
MARK	VOLTAGE (V)
2	2.x
3	3.x
4	4.x
5	5.x
6	6.x

③ Represents decimal number point of output voltage

MARK	VOLTAGE (V)
0	x.0
1	x.1
2	x.2
3	x.3
4	x.4
5	x.5
6	x.6
7	x.7
8	x.8
9	x.9

④ Represents assembly lot number
(Based on internal standards)

BLOCK DIAGRAM



ABSOLUTE MAXIMUM RATINGS

$T_a=25^{\circ}\text{C}$, $V_{SS}=0\text{V}$

PARAMETER	SYMBOL	RATINGS	UNIT
Input Voltage	V_{IN}	$-0.3 \sim 12$	V
Output Voltage	V_{OUT}	$-0.3 \sim 12$	V
CE Pin Voltage	V_{CE}	$-0.3 \sim V_{IN}+0.3$	V
Output Current	I_{OUT}	20	mA
Power Dissipation	SOT-25	150	mW
	USP-6B	100	
Operating Temperature Range	T_{opr}	$-40 \sim +85$	$^{\circ}\text{C}$
Storage Temperature Range	T_{stg}	$-40 \sim +125$	$^{\circ}\text{C}$

■ ELECTRICAL CHARACTERISTICS

XC31BPN20A $V_{OUT(T)}^{(*)1} = 2.0V$

PARAMETER	SYMBOL	CONDITIONS	MIN.	TYP.	MAX.	UNITS
Input Voltage	V_{IN}		—	—	10	V
Output Voltage	V_{OUT}	$I_{OUT} = 100 \mu A^{(*)2}$, $V_{IN} = 4.0V$, $T_a = 25^\circ C$	1.94	2.0	2.06	V
Detectable Temperature Range			-30	—	+80	$^\circ C$
Output Voltage Temperature Coefficient	$T_D^{(*)3}$	$I_{OUT} = 100 \mu A$, $V_{IN} = 4.0V$ $-30^\circ C \leq T_a \leq 80^\circ C$	-3400	-3900	-4400	ppm/ $^\circ C$
Temperature Sensitivity	T_{SE}	$-30^\circ C \leq T_a \leq 80^\circ C$	-6.8	-7.8	-8.8	mV/ $^\circ C$
Linearity Margin Error	$T_L^{(*)4}$	$-30^\circ C \leq T_a \leq 80^\circ C$	—	1	3.5	%
Load Regulation	ΔV_{OUT}	$V_{IN} = 4.0V$ $1 \mu A \leq I_{OUT} \leq 100 \mu A$	—	2.0	—	mV
Supply Current 1	I_{SS1}	$V_{IN} = V_{CE} = 4.0V$, $T_a = 25^\circ C$	—	7	17	μA
Supply Current 2	I_{SS2}	$V_{IN} = 4.0V$, $V_{CE} = V_{SS}$, $T_a = 25^\circ C$	—	—	0.1	μA
CE "High" Level Voltage	V_{CEH}		1.5	—	—	V
CE "Low" Level Voltage	V_{CEL}		—	—	0.3	V

XC31BPN40A $V_{OUT(T)}^{(*)1} = 4.0V$

PARAMETER	SYMBOL	CONDITIONS	MIN.	TYP.	MAX.	UNITS
Input Voltage	V_{IN}		—	—	10	V
Output Voltage	V_{OUT}	$I_{OUT} = 100 \mu A^{(*)2}$, $V_{IN} = 6.0V$, $T_a = 25^\circ C$	3.88	2.0	4.12	V
Detectable Temperature Range			-30	—	+80	$^\circ C$
Output Voltage Temperature Coefficient	$T_D^{(*)3}$	$I_{OUT} = 100 \mu A$, $V_{IN} = 6.0V$ $-30^\circ C \leq T_a \leq 80^\circ C$	-3400	-3900	-4400	ppm/ $^\circ C$
Temperature Sensitivity	T_{SE}	$-30^\circ C \leq T_a \leq 80^\circ C$	-13.6	-15.6	-17.6	mV/ $^\circ C$
Linearity Margin Error	$T_L^{(*)4}$	$-30^\circ C \leq T_a \leq 80^\circ C$	—	1	3.5	%
Load Regulation	ΔV_{OUT}	$V_{IN} = 6.0V$ $1 \mu A \leq I_{OUT} \leq 100 \mu A$	—	3.0	—	mV
Supply Current 1	I_{SS1}	$V_{IN} = V_{CE} = 6.0V$, $T_a = 25^\circ C$	—	8	18	μA
Supply Current 2	I_{SS2}	$V_{IN} = 6.0V$, $V_{CE} = V_{SS}$, $T_a = 25^\circ C$	—	—	0.1	μA
CE "High" Level Voltage	V_{CEH}		1.5	—	—	V
CE "Low" Level Voltage	V_{CEL}		—	—	0.3	V

NOTE:

*1: $V_{OUT(T)}$ = Specified output voltage at 25 $^\circ C$.

*2: When output current exceed 100 μA , output voltage drop will increase.

If this IC is to be used in applications where such currents are required, please use a buffer on the output

*3: Output voltage temperature coefficient (T_D) is defined as:

$$T_D = \frac{\Delta V_{OUT}}{T_a \cdot V_{OUT}}$$

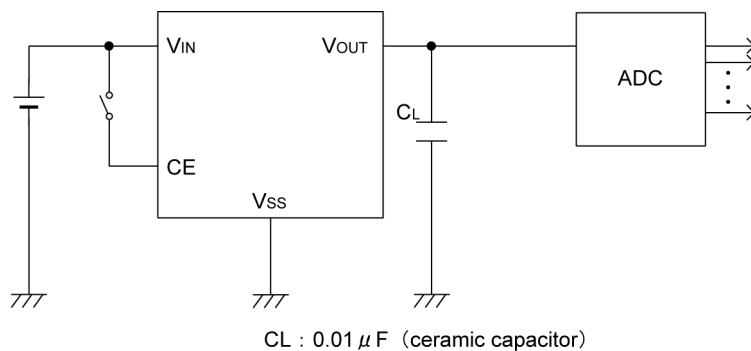
*4: Linearity margin error (T_L) is calculated as follows:

$$T_L = \frac{e_{max}}{T_{se} \cdot \Delta T_a}$$

where e_{max} = maximum error.

The maximum error is the maximum difference between the actual measured value and the value on an approximated straight line.

■ TYPICAL APPLICATION CIRCUIT

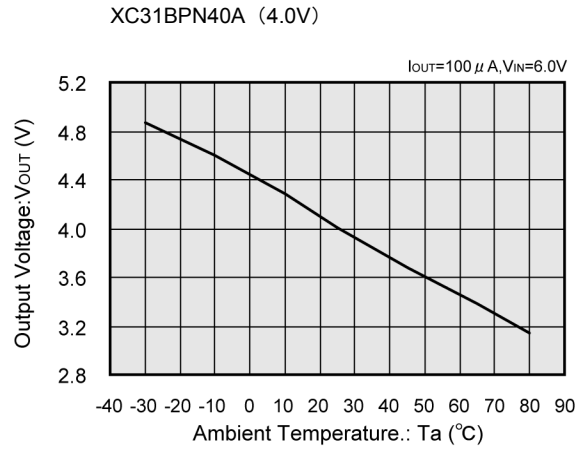
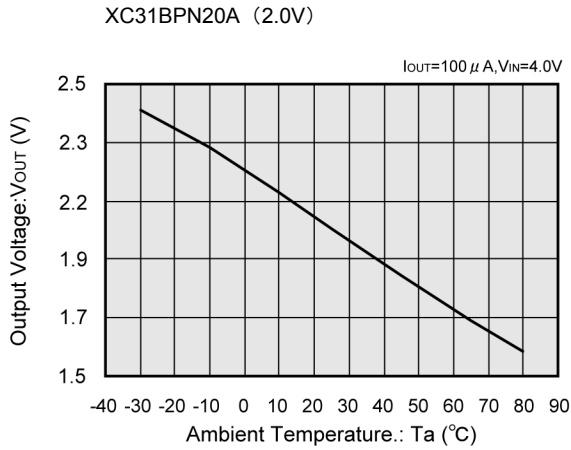


■ NOTE ON USE

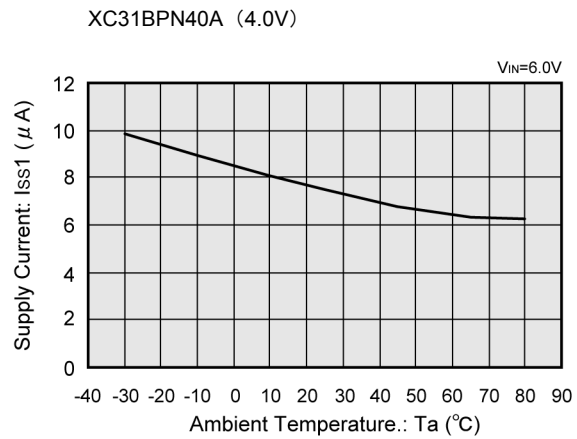
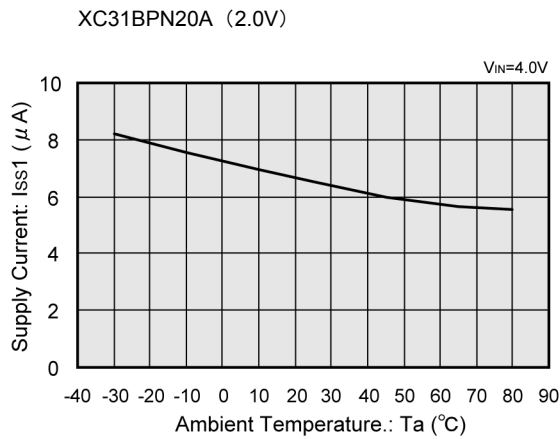
1. When the load capacitance C_L is too large, oscillation may occur on the output signal.
2. Output signal overshoot will occur when the power (V_{IN}) is switched on or when the power drastically fluctuates. The chip enable (CE) function is effective for helping to avoid overshoot and also in saving consumption current.

■ TYPICAL PERFORMANCE CHARACTERISTICS

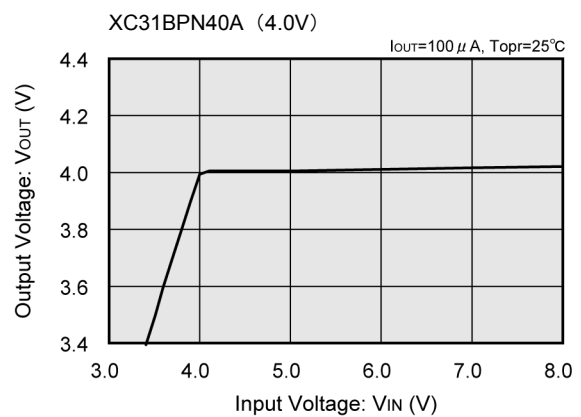
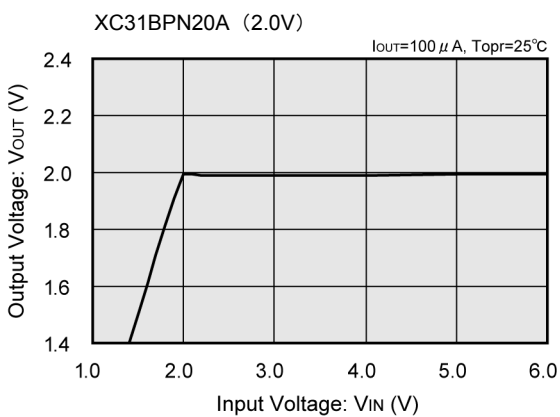
(1) Output Voltage vs. Ambient Temperature



(2) Supply Current vs. Ambient Temperature

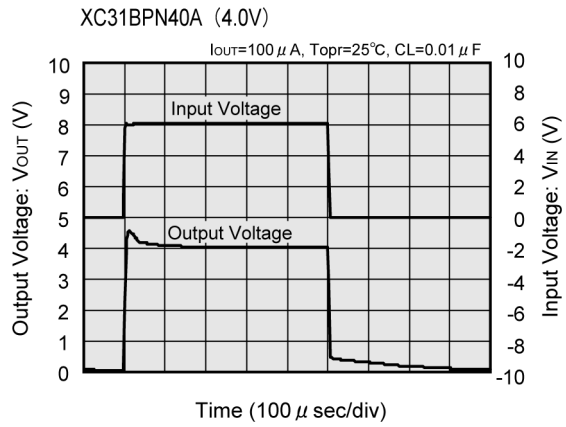
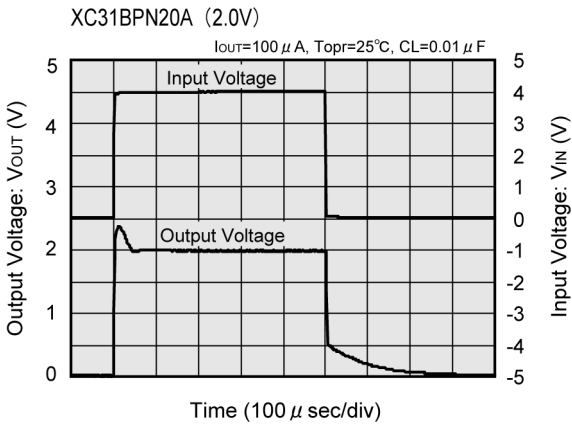


(3) Output Voltage vs. Input Voltage

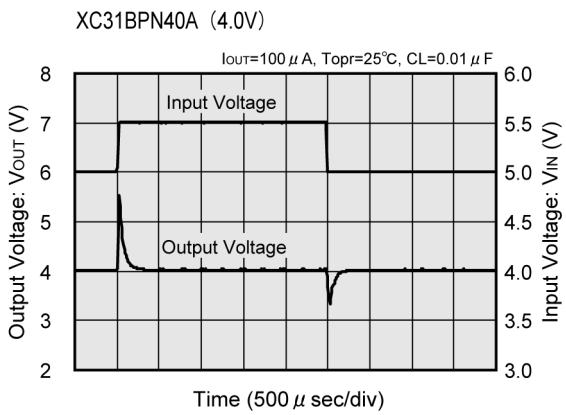
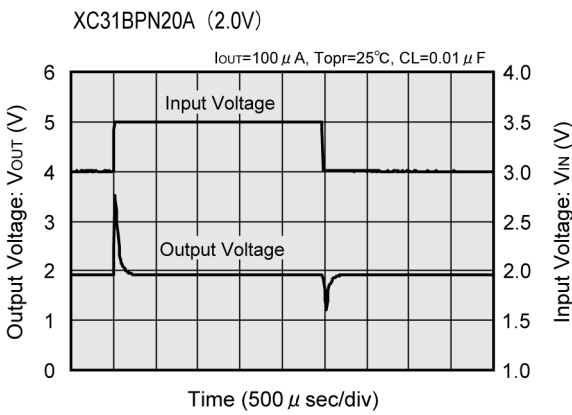


■ TYPICAL PERFORMANCE CHARACTERISTICS(Continued)

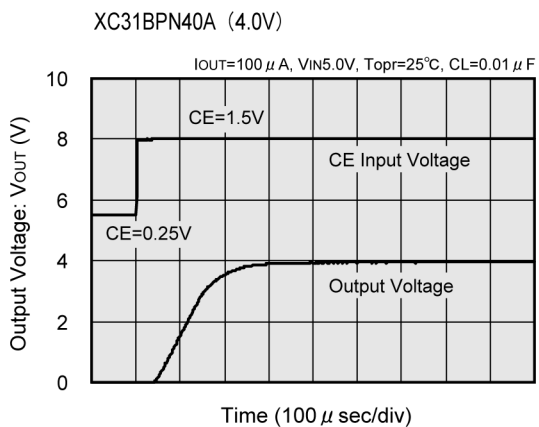
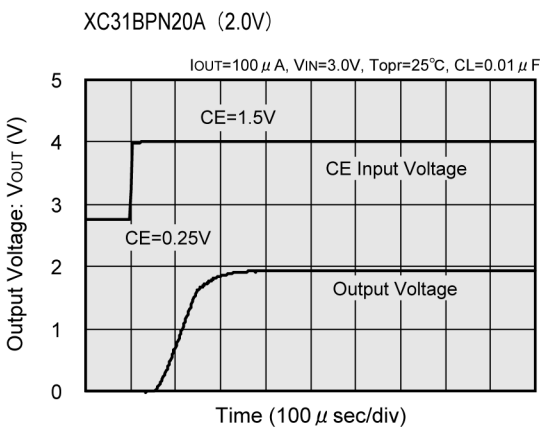
(4) Input Transient Response 1



(5) Input Transient Response 2



(6) CE Pin Transient Response



■ TYPICAL PERFORMANCE CHARACTERISTICS(Continued)

(7) Ripple Rejection Rate

