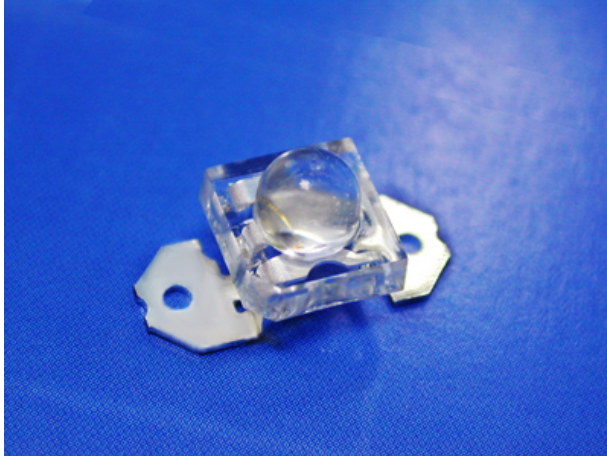


PRELIMINARY SPEC

Part Number: WP7700C4SURC/G

## Technical Data



### Features:

- \*HIGH LUMINANCE OUTPUT.
- \*DESIGN FOR HIGH CURRENT OPERATION.
- \*SOLDERLESS MOUNTING TECHNIQUE.
- \*LOW POWER CONSUMPTION.
- \*LOW THERMAL RESISTANCE.
- \*LOW PROFILE.
- \*PACKAGE IN TUBES FOR USE WITH AUTOMATIC INSERTION EQUIPMENT.
- \*RoHS COMPLIANT.

### Benefits:

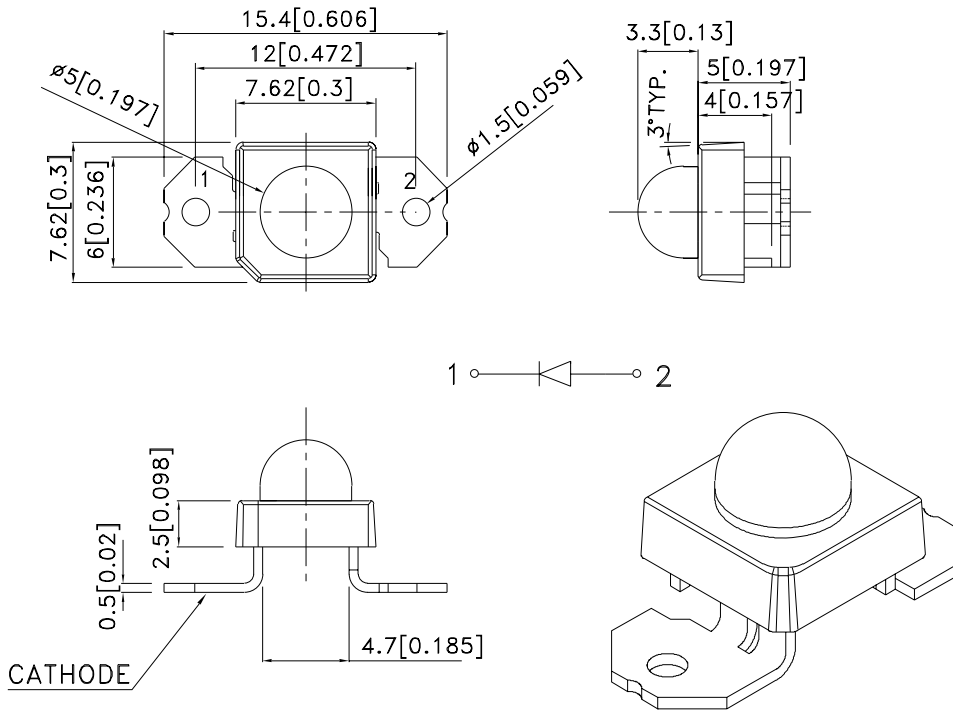
- \*Rugged Lighting Products.
- \*Electricity savings.
- \*Maintenance savings.
- \*Environmental Conformance.

### Typical Applications:

- \*Automotive Exterior Lighting.
- \*Solid State Lighting and Signaling.

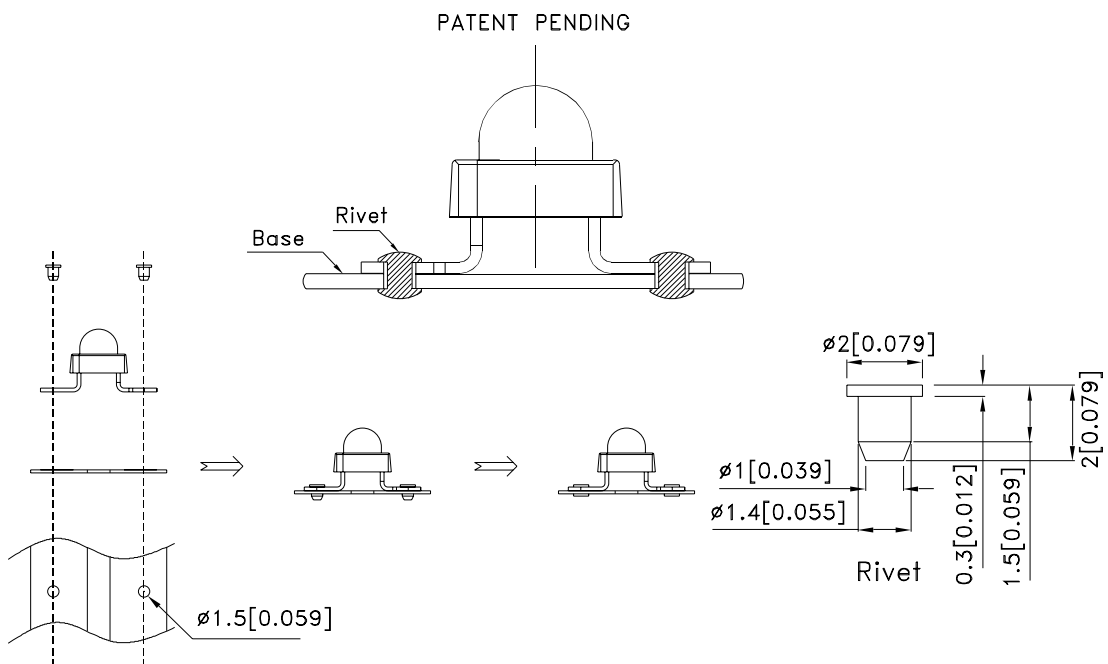


## Outline Drawings



**Notes:**

1. All dimensions are in millimeters (inches).
2. Tolerance is  $\pm 0.25(0.01)$ " unless otherwise noted.
3. Lead spacing is measured where the leads emerge from the package.
4. Specifications are subject to change without notice.



## Absolute Maximum Ratings at TA=25°C

PARAMETER	SUR/G	UNITS
DC Forward Current	70	mA
Power dissipation	182	mW
Reverse Voltage	5	V
Operating Temperature	-40 To +85	°C
Storage Temperature	-55 To +85	°C

## Selection Guide

Part No.	LED COLOR	Iv(cd)[1] @70mA		Viewing Angle[2]
		Min.	Typ.	2θ1/2 Typ.
WP7700C4SURC/G	Hyper Red (InGaAlP)	4.7	7	30°

Notes:

- Luminous intensity is measured with an integrating sphere after the device has stabilized; Luminous Intensity / luminous flux: +/-15%.
- θ1/2 is the angle from optical centerline where the luminous intensity is 1/2 the optical centerline value.

## Optical Characteristics at TA=25°C If=70mA Rθj-a=200°C/W

DEVICE TYPE	PEAK WAVELENGTH λPEAK (nm) TYP.	DOMINANT[1] WAVELENGTH λDOM (nm) TYP.	SPECTRAL LINE WAVELENGTH Δλ1/2(nm) TYP.
SUR/G	640	630	22

Note:

- The dominant wavelength is derived from the CIE Chromaticity Diagram and represents the perceived color of the device; Wavelength: +/-1nm.

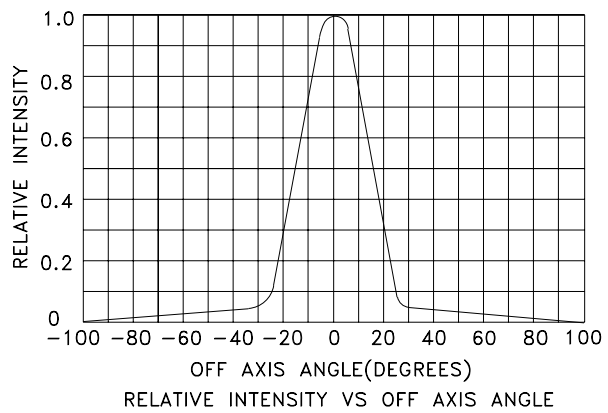
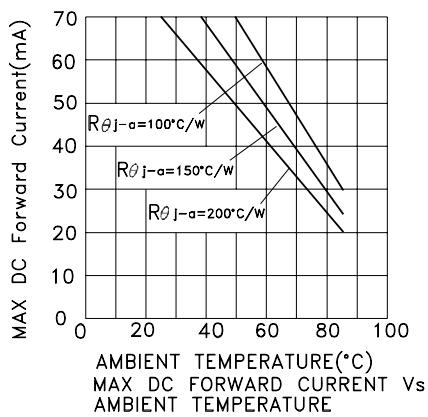
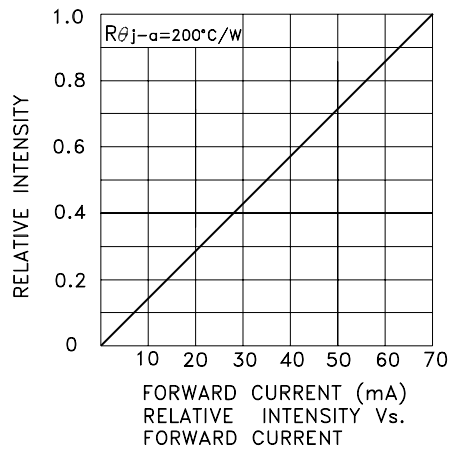
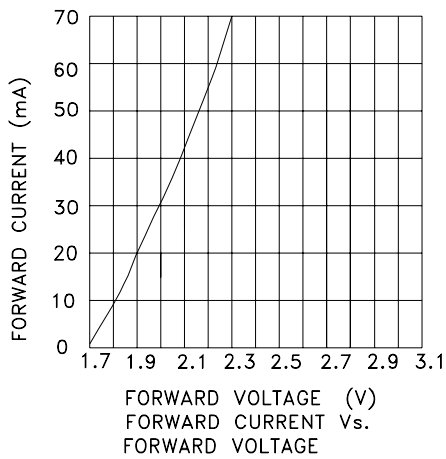
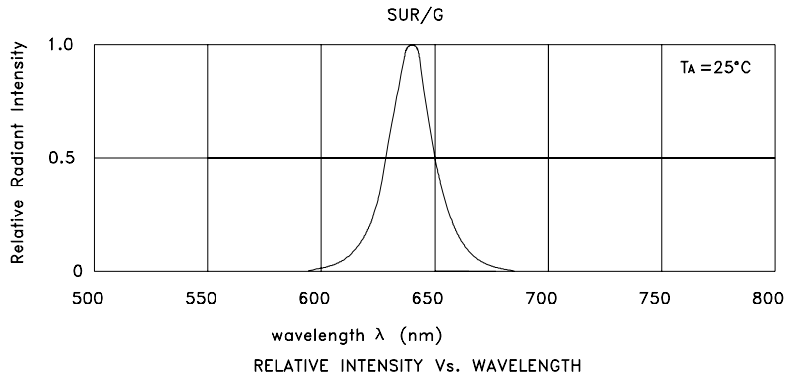
## Electrical Characteristics at TA=25°C

DEVICE TYPE	FORWARD VOLTAGE [1] VF (VOLTS) @ If=70mA			REVERSE CURRENT IR (uA) @ VR=5V	CAPACITANCE C (pF) @ VF=0V F=1MHZ	THERMAL RESISTANCE Rθj -pin °C/W
	MIN.	TYP.	MAX.	MAX.	TYP.	TYP.
SUR/G	2.1	2.3	2.6	10	45	125

Note:

- Forward Voltage: +/-0.1V.

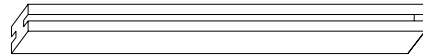
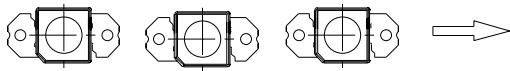
## Figures



# Kingbright

PACKING & LABEL SPECIFICATIONS

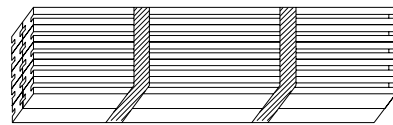
WP7700C4SURC/G



65PCS / IC TUBE



OUTSIDE LABEL

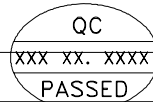


20.8 K / 6# BOX

650pcs / 10pcs IC TUBE

## Kingbright

Q.C.



TYPE NO : WP7700C4XXX

QUANTITY : 650 pcs

S/N : XXX

CODE: XXXX

LOT NO:



xx-xxxxxx

MADE IN CHINA

RoHS Compliant