

P/N: WP7104ALUP/2GD-0L

GREEN

Features

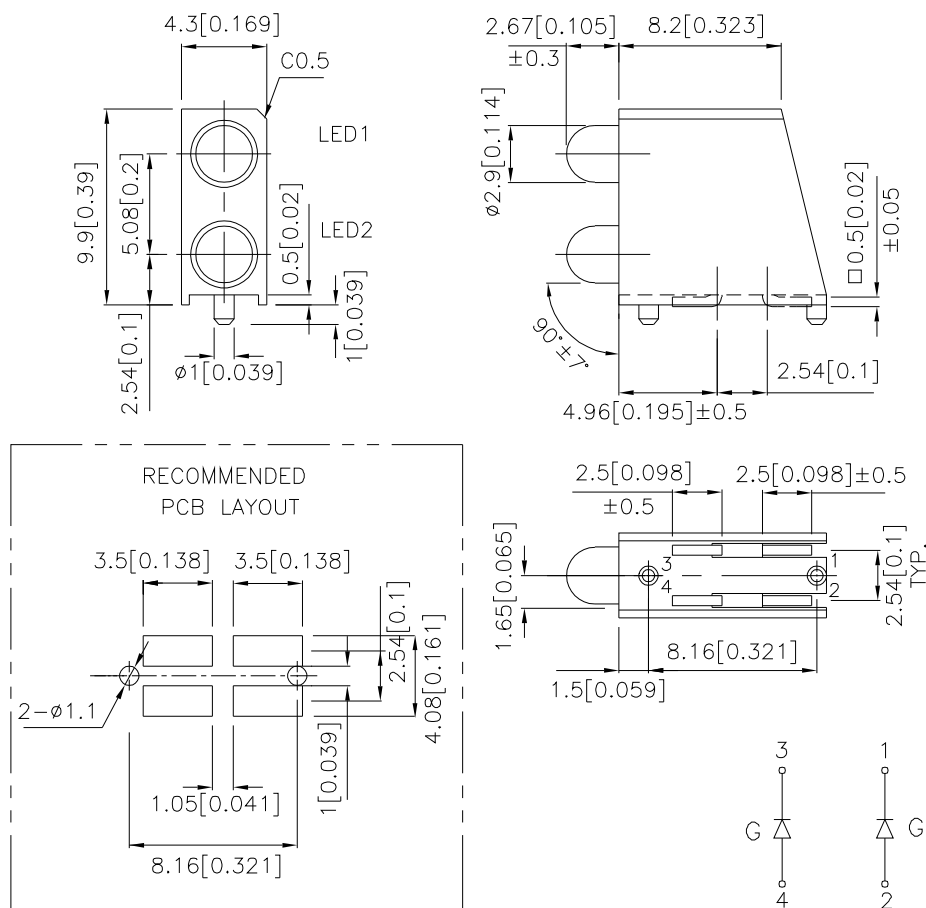
- I.C. COMPATIBLE.
- BLACK CASE ENHANCES CONTRAST RATIO.
- WIDE VIEWING ANGLE.
- HIGH RELIABILITY LIFE MEASURED IN YEARS.
- HOUSING MATERIAL: PPA.
- RoHS COMPLIANT.

Description

The Orange source color devices are made with Gallium Arsenide Phosphide on Gallium Phosphide Orange Light Emitting Diode.

The Green source color devices are made with Gallium Phosphide Green Light Emitting Diode.

Package Dimensions



Notes:

1. All dimensions are in millimeters (inches).
2. Tolerance is ± 0.25 (0.01") unless otherwise noted.
3. Lead spacing is measured where the leads emerge from the package.
4. Specifications are subject to change without notice.

Selection Guide

Part No.	Dice	Lens Type	Iv (mcd) [2] @ 10mA		Viewing Angle [1]
			Min.	Typ.	2 θ 1/2
WP7104ALUP/2GD-0L	GREEN (GaP)	GREEN DIFFUSED	8	20	40°

Notes:

- θ 1/2 is the angle from optical centerline where the luminous intensity is 1/2 the optical centerline value.
- Luminous Intensity / Luminous Flux: +/-15%.

Electrical / Optical Characteristics at TA=25°C

Symbol	Parameter	Device	Typ.	Max.	Units	Test Conditions
λ_{peak}	Peak Wavelength	Green	565		nm	IF=20mA
λ_D [1]	Dominant Wavelength	Green	568		nm	IF=20mA
$\Delta\lambda_{1/2}$	Spectral Line Half-width	Green	30		nm	IF=20mA
C	Capacitance	Green	15		pF	VF=0V;f=1MHz
VF [2]	Forward Voltage	Green	2.2	2.5	V	IF=20mA
IR	Reverse Current	Green		10	uA	VR = 5V

Notes:

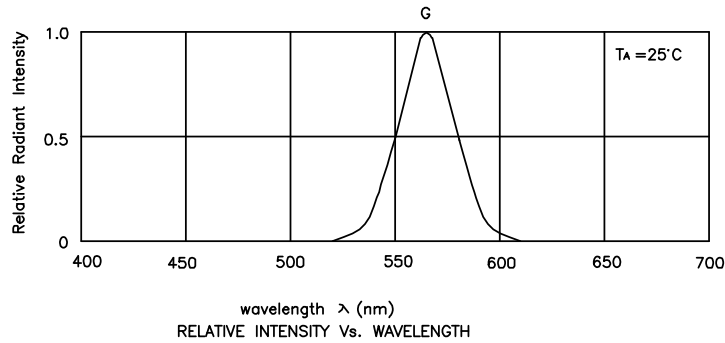
- Wavelength: +/-1nm.
- Forward Voltage: +/-0.1V.

Absolute Maximum Ratings at TA=25°C

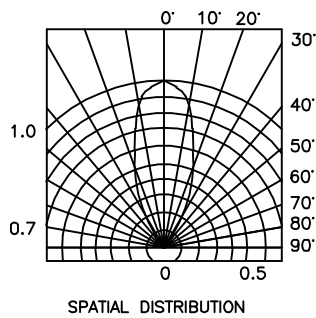
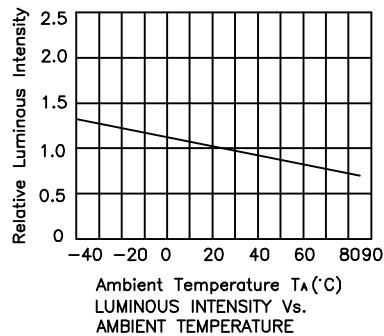
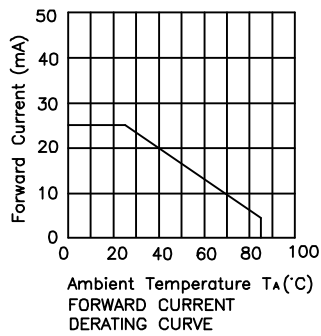
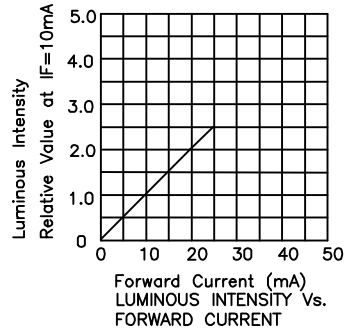
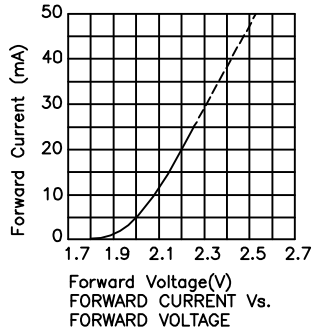
Parameter	Green	Units
Power dissipation	62.5	mW
DC Forward Current	25	mA
Peak Forward Current [1]	140	mA
Reverse Voltage	5	V
Operating/Storage Temperature	-40°C To +85°C	

Note:

- 1/10 Duty Cycle, 0.1ms Pulse Width.

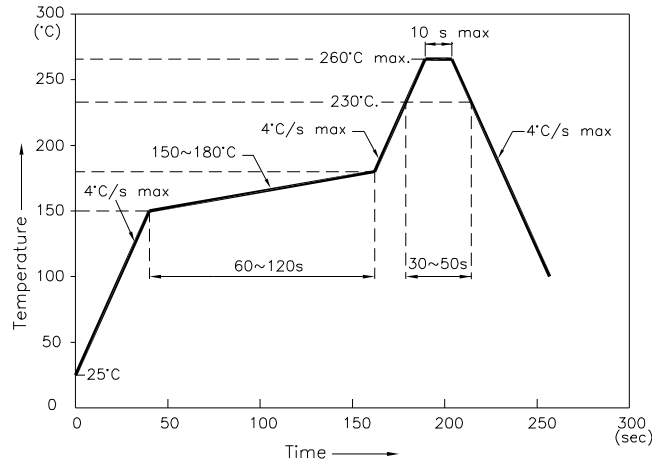


WP7104ALUP/2GD-0L
Green



WP7104ALUP/2GD-0L

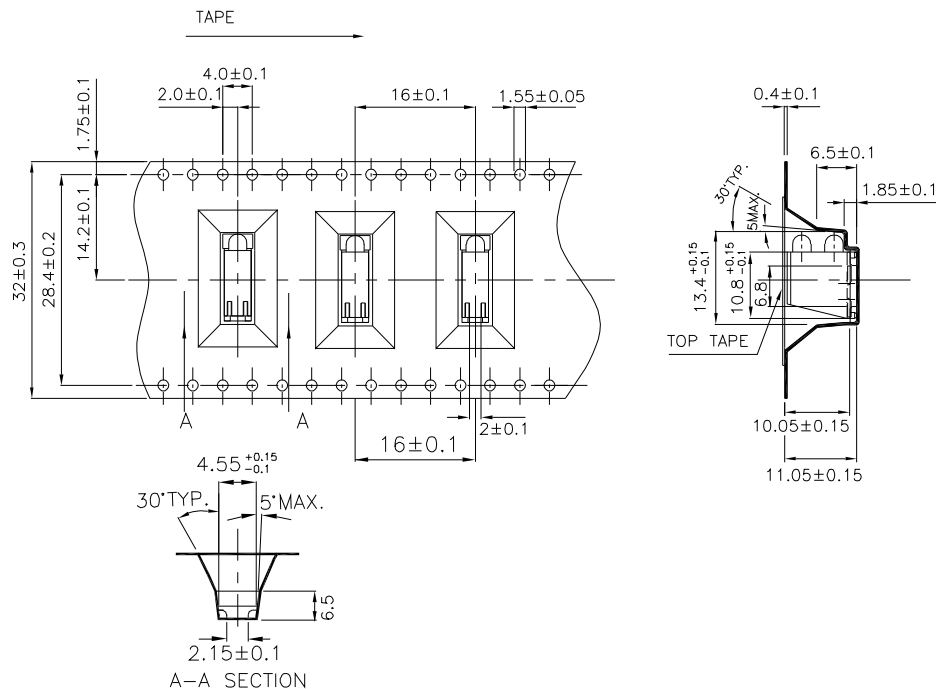
Reflow Soldering Profile For Lead-free SMT Process.



NOTES:

1. We recommend the reflow temperature 245°C(+/-5°C). The maximum soldering temperature should be limited to 260°C.
2. Don't cause stress to the epoxy resin while it is exposed to high temperature.
3. Number of reflow process shall be 2 times or less.

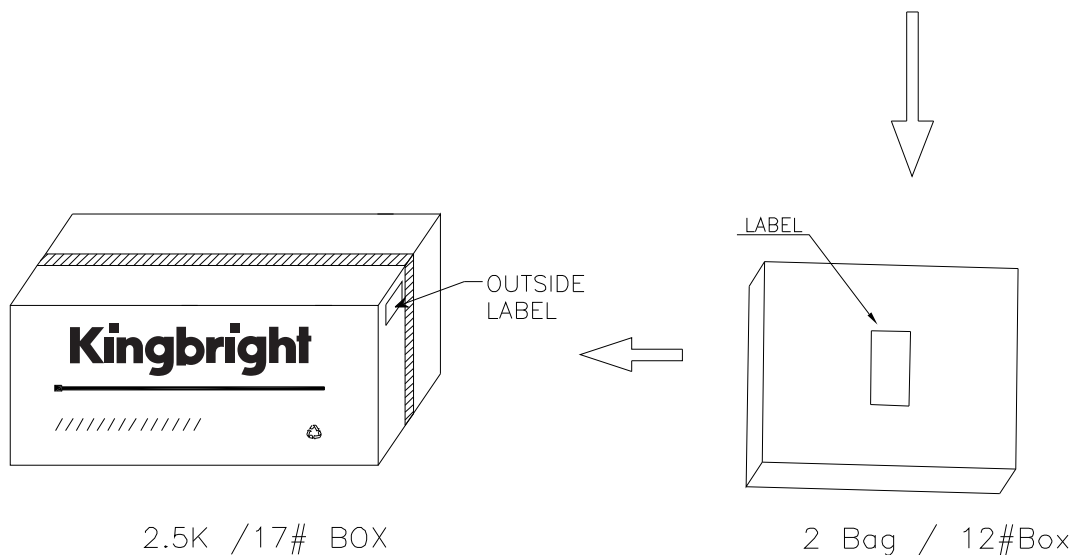
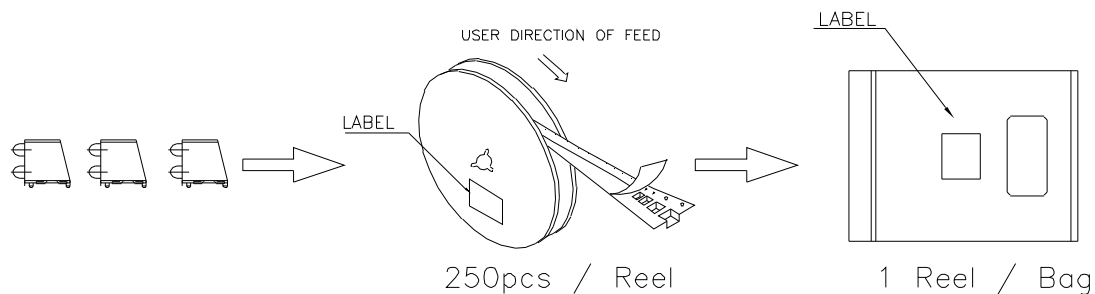
Tape Specifications (Units : mm)



Note: Tolerance is ± 0.25 unless otherwise noted.

PACKING & LABEL SPECIFICATIONS

WP7104ALUP/2GD-0L



Kingbright				
Q.C.	<table border="1"> <tr> <td>QC</td> </tr> <tr> <td>xxx xx, 2006</td> </tr> <tr> <td>PASSED</td> </tr> </table>	QC	xxx xx, 2006	PASSED
QC				
xxx xx, 2006				
PASSED				
TYPE NO : WP7104ALUPXXX				
QUANTITY : 250 pcs				
S/N : XXX	CODE: XXX			
LOT NO 				
MADE IN CHINA	RoHS Compliant			