

Part Number: WP1533AA/SRD-W152

SUPER BRIGHT RED

### Features

- OUTSTANDING MATERIAL EFFICIENCY.
- RELIABLE AND RUGGED.
- IC COMPATIBLE/LOW CURRENT CAPABILITY.
- UL RATING : 94V-0.
- HOUSING MATERIAL: TYPE 66 NYLON.
- RoHS COMPLIANT.

### Description

The Super Bright Red source color devices are made with Gallium Aluminum Arsenide Red Light Emitting Diode.

### Package Dimensions

Fig.1 :

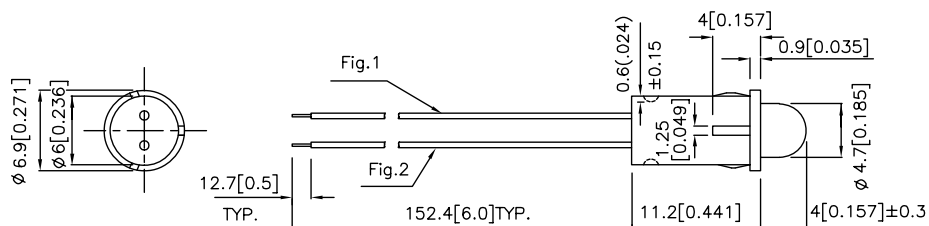
ANODE LEAD :RED INSULATION LEAD , 24 AWG , UL#1007,  $\phi$  1.45mm,  
TIN OVERCOAT WIRE , STRIP 12.7mm.

Fig. 2 :

CATHODE LEAD : BLACK INSULATION LEAD , 24 AWG , UL#1007 ,  $\phi$  1.45mm,  
TIN OVERCOAT WIRE , STRIP 12.7mm.

Fig.3 :

STAKING TO FIX THE HOLDER AND LED .



#### Notes:

1. All dimensions are in millimeters (inches).
2. Tolerance is  $\pm 0.25$  (0.01") unless otherwise noted.
3. Lead spacing is measured where the leads emerge from the package
4. Specifications are subject to change without notice.

## Selection Guide

Part No.	Dice	Lens Type	Iv (mcd) [2] @ 20mA		Viewing Angle [1]
			Min.	Typ.	2 θ 1/2
WP1533AA/SRD-W152	SUPER BRIGHT RED (GaAlAs)	RED DIFFUSED	110	400	60°

Notes:

1.θ1/2 is the angle from optical centerline where the luminous intensity is 1/2 the optical centerline value.

2.Luminous Intensity / Luminous Flux: +/-15%

## Electrical / Optical Characteristics at TA=25°C

Symbol	Parameter	Device	Typ.	Max.	Units	Test Conditions
$\lambda_{peak}$	Peak Wavelength	Super Bright Red	660		nm	IF=20mA
$\lambda_D$ [1]	Dominant Wavelength	Super Bright Red	640		nm	IF=20mA
$\Delta\lambda_{1/2}$	Spectral Line Half-width	Super Bright Red	20		nm	IF=20mA
C	Capacitance	Super Bright Red	45		pF	VF=0V;f=1MHz
VF [2]	Forward Voltage	Super Bright Red	1.85	2.5	V	IF=20mA
IR	Reverse Current	Super Bright Red		10	uA	VR = 5V

Notes:

1.Wavelength: +/-1nm

2.Forward Voltage: +/-0.1V

## Absolute Maximum Ratings at TA=25°C

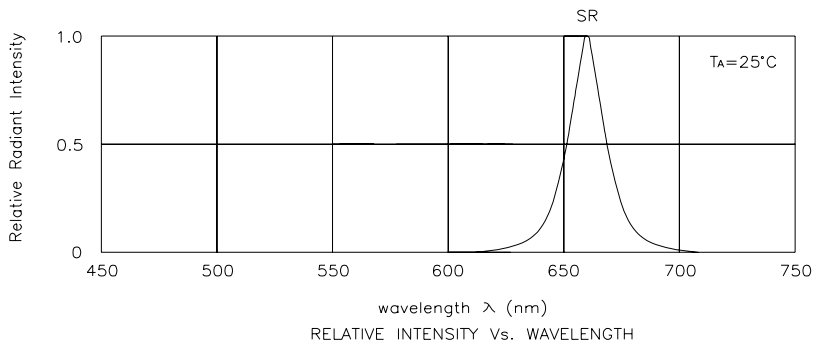
Parameter	Super Bright Red	Units
Power dissipation	100	mW
DC Forward Current	30	mA
Peak Forward Current [1]	155	mA
Reverse Voltage	5	V
Operating / Storage Temperature	-40°C To +85°C	
Lead Solder Temperature [2]	260°C For 3 Seconds	
Lead Solder Temperature [3]	260°C For 5 Seconds	

Notes:

1. 1/10 Duty Cycle, 0.1ms Pulse Width.

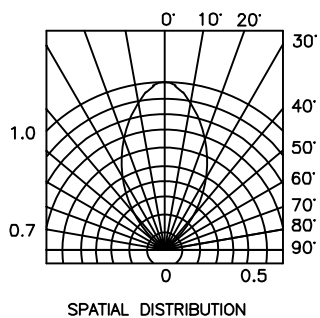
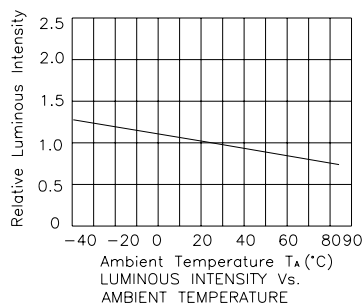
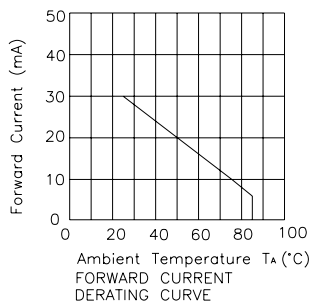
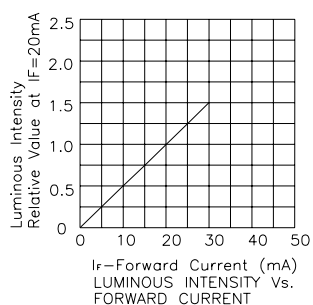
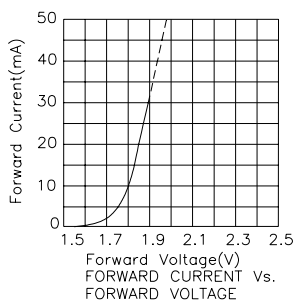
2. 2mm below package base.

3. 5mm below package base.



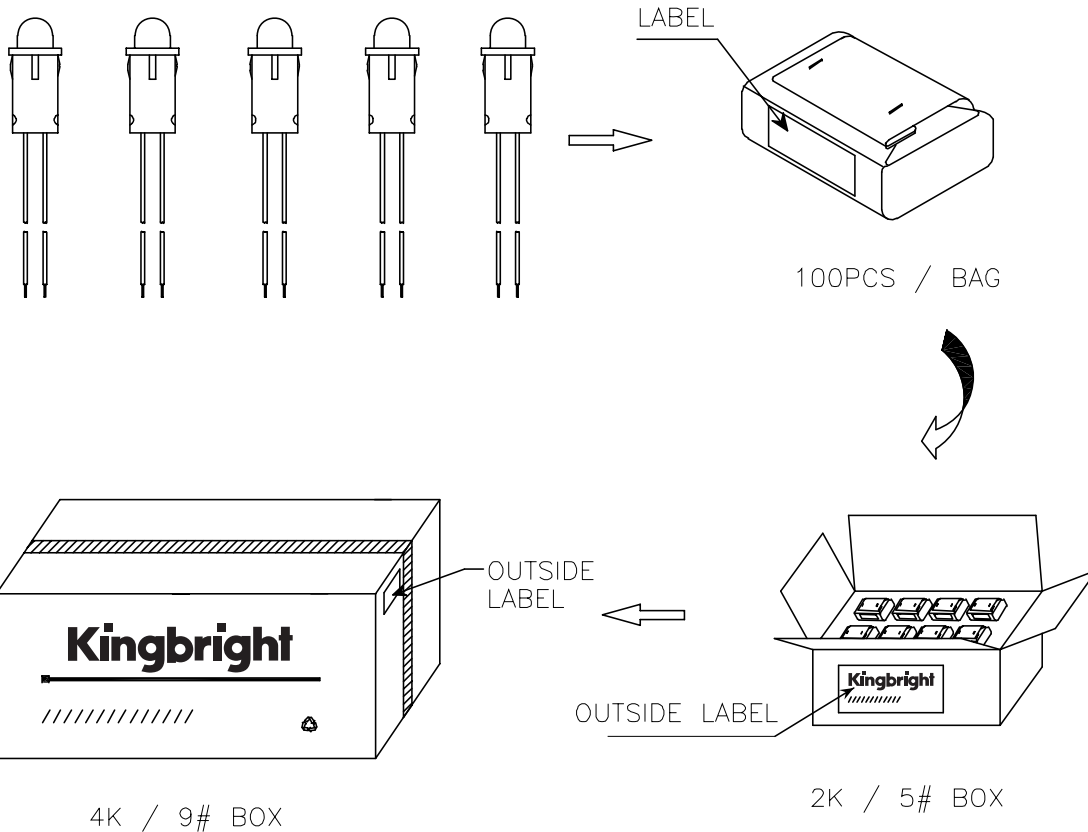
## Super Bright Red


## WP1533AA/SRD-W152



## PACKING & LABEL SPECIFICATIONS

## WP1533AA/SRD-W152



<b>Kingbright</b>				
Q.C.	<table border="1"> <tr> <td style="text-align: center;">QC</td> </tr> <tr> <td style="text-align: center;">XX XX. XXXX</td> </tr> <tr> <td style="text-align: center;">PASSED</td> </tr> </table>	QC	XX XX. XXXX	PASSED
QC				
XX XX. XXXX				
PASSED				
TYPE NO : WP1533AAxxx	Date			
QUANTITY : 100 pcs				
S/N : XXX	CODE: XX			
LOT NO	 XXXXXXXXXX			
RoHS Compliant				