

PRELIMINARY SPEC

Part Number: WP1533AA/ID14V-W152

High Efficiency Red

Features

- OUTSTANDING MATERIAL EFFICIENCY.
- RELIABLE AND RUGGED.
- IC COMPATIBLE / LOW CURRENT CAPABILITY.
- UL RATING : 94V-0.
- HOUSING MATERIAL: TYPE 66 NYLON.
- 14V INTERNAL RESISTOR.
- RoHS COMPLIANT.

Description

The High Efficiency Red source color devices are made with Gallium Arsenide Phosphide on Gallium Phosphide Orange Light Emitting Diode.

Package Dimensions

Fig.1 :

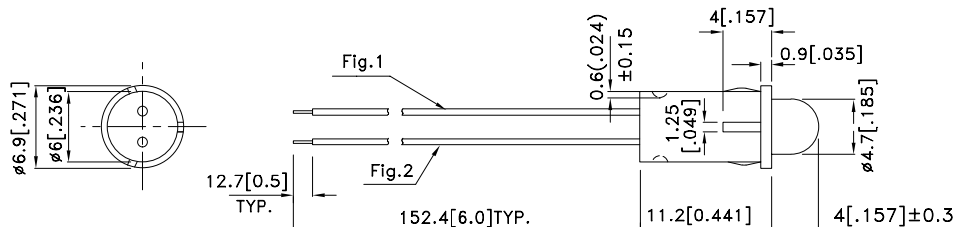
ANODE LEAD :RED INSULATION LEAD ,24 AWG ,UL#1007,∅1.45mm,
TIN OVERCOAT WIRE ,STRIP 12.7mm.

Fig. 2 :

CATHODE LEAD :BLACK INSULATION LEAD ,24 AWG,UL#1007 ,∅1.45mm,
TIN OVERCOAT WIRE ,STRIP 12.7mm.

Fig.3 :

STAKING TO FIX THE HOLDER AND LED .



Notes:

1. All dimensions are in millimeters (inches).
2. Tolerance is $\pm 0.25(0.01)$ unless otherwise noted.
3. Lead spacing is measured where the leads emerge from the package.
4. Specifications are subject to change without notice.



Selection Guide

Part No.	Dice	Lens Type	Iv (mcd) [2] V= 14V		Viewing Angle [1]
			Min.	Typ.	2θ1/2
WP1533AA/ID14V-W152	High Efficiency Red (GaAsP/GaP)	RED DIFFUSED	18	55	60°

Notes:

1. θ1/2 is the angle from optical centerline where the luminous intensity is 1/2 the optical centerline value.
2. Luminous intensity/ luminous Flux: +/-15%.

Electrical / Optical Characteristics at TA=25°C

Symbol	Parameter	Device	Typ.	Max.	Units	Test Conditions
λ _{peak}	Peak Wavelength	High Efficiency Red	627		nm	V _F =14V
λ _D [1]	Dominant Wavelength	High Efficiency Red	625		nm	V _F =14V
Δλ _{1/2}	Spectral Line Half-width	High Efficiency Red	45		nm	V _F =14V
I _F	Forward Current	High Efficiency Red	10.5	13.5	mA	V _F =14V
I _R	Reverse Current	High Efficiency Red		10	μA	V _R = 5V

Note:

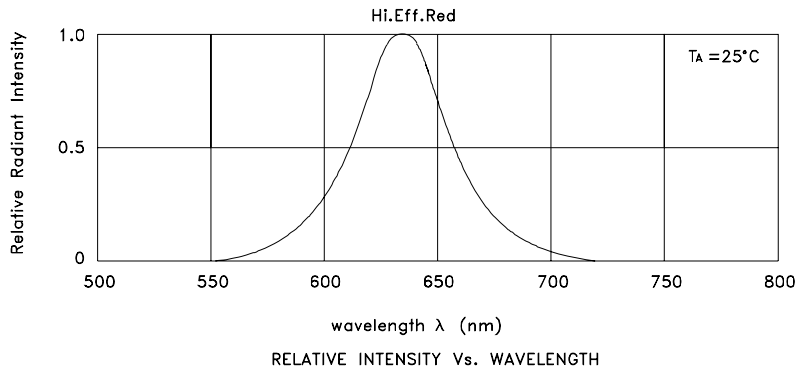
- 1.Wavelength: +/-1nm.

Absolute Maximum Ratings at TA=25°C

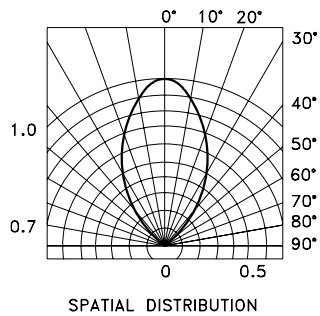
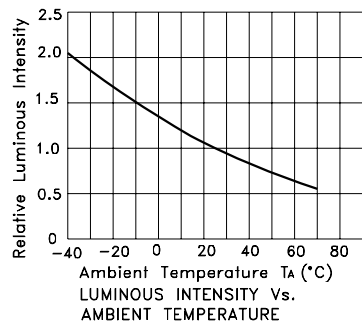
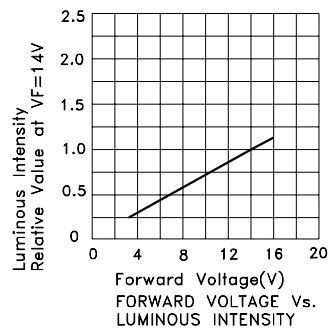
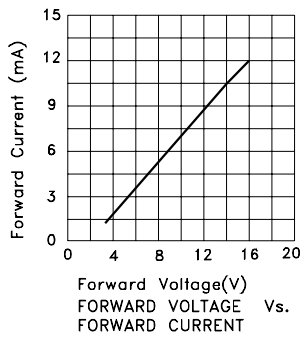
Parameter	High Efficiency Red	Units
Power dissipation	160	mW
Forward Voltage	16	V
Reverse Voltage	5	V
Operating Temperature	-40°C To +70°C	
Storage Temperature	-40°C To +85°C	
Lead Solder Temperature [1]	260°C For 3 Seconds	
Lead Solder Temperature [2]	260°C For 5 Seconds	

Notes:

1. 2mm below package base.
2. 5mm below package base.

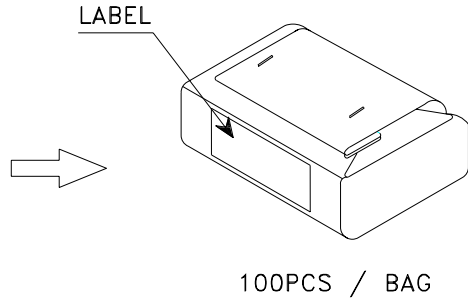
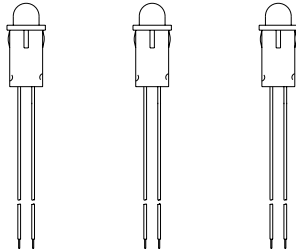


High Efficiency Red WP1533AA/ID14V-W152



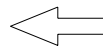
PACKING & LABEL SPECIFICATIONS

WP1533AA/ID14V-W152

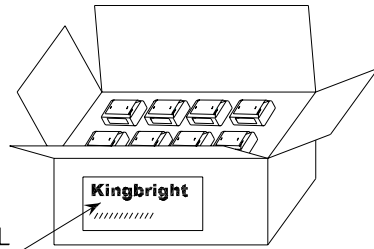


4K / 9# BOX


OUTSIDE LABEL



OUTSIDE LABEL



2K / 5# BOX

<h1>Kingbright</h1>				
Q.C.	<table border="1"> <tr> <td>QC</td> </tr> <tr> <td>XX XX XX</td> </tr> <tr> <td>PASSED</td> </tr> </table>	QC	XX XX XX	PASSED
QC				
XX XX XX				
PASSED				
TYPE NO : WP1533AAxxx				
QUANTITY : 100 pcs				
S/N : XX	CODE: XX			
LOT NO :  <small>xx-xxxx</small>				
RoHS Compliant				