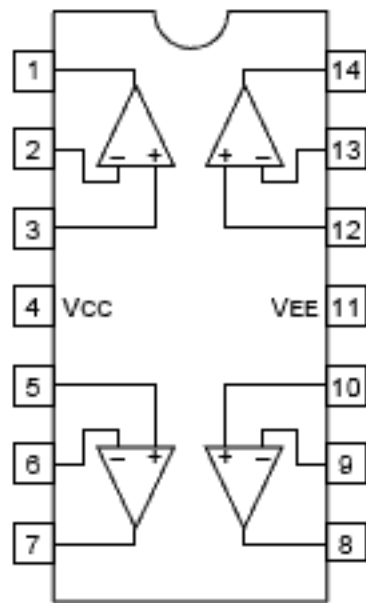


\*\*\*\*\*

**QUAD OPERATIONAL AMPLIFIER**  
—TOP VIEW—

$$V_{CC} - V_{EE} \leq 38V$$