

## Tone Ringer Interface with DC/DC Converter

### Description

The tone ringer interface with dc/dc converter U4078B is an integrated circuit realized in bipolar technology, which allows high efficient power transfer. Galvanic separation

takes place at Pin 5 either with inductive or opto-coupler mode.

### Features

- Suitable for the specification: FTZ, 1TR2 and ETR2
- Rectifier bridge
- Z-diode
- Amplitude detection
- Detection of ringing signal i.e., sine-, triangle-, or rectangular (tone ringing) signal
- High-voltage bipolar technology
- Compact surface mount package (SO8)

### Benefits

- High efficient power transfer

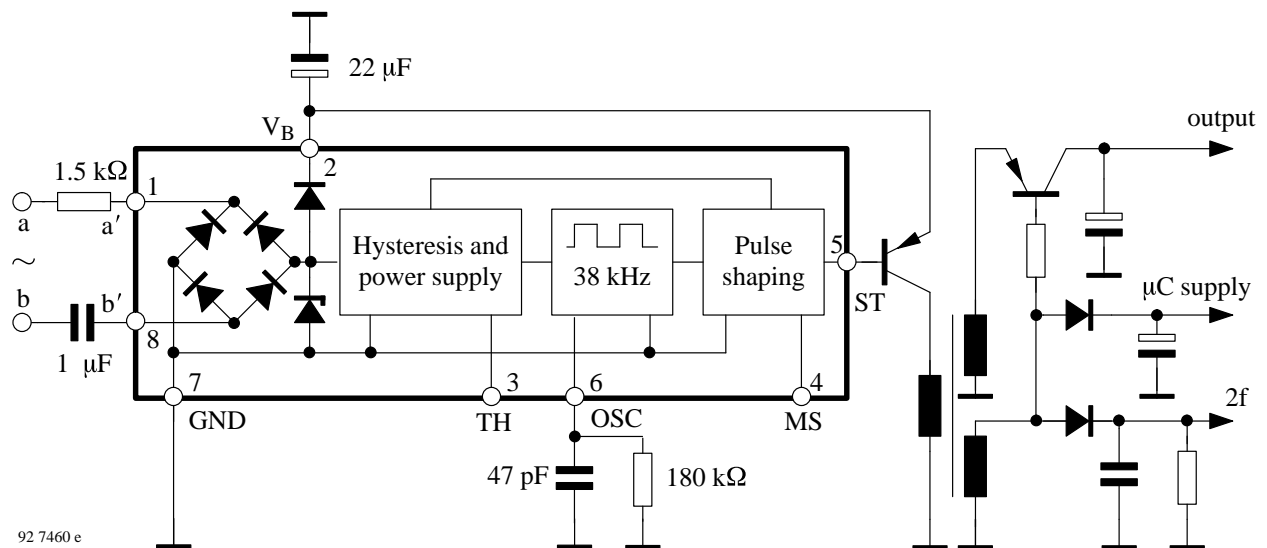


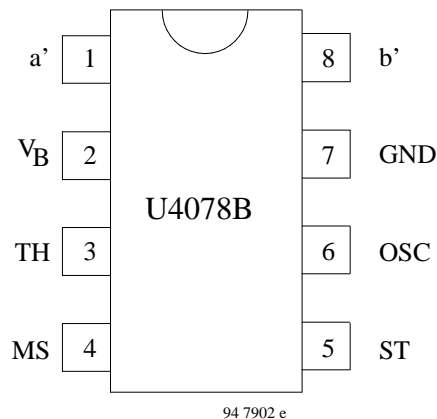
Figure 1. Block diagram with external circuit

14.04.94

## U4078B

### Pin Description

Pin	Symbol	Function
1, 8	a', b'	AC ringing signal input
2	V <sub>B</sub>	Output to charging capacitor (for supply)
3	TH	Comparator threshold adjustment input
4	MS	Mode selection: inductive or opto-coupler mode
5	ST	Switching transistor connection
6	OSC	RC circuit for internal oscillator input
7	GND	Ground



### Functional Description

The ringing ac signal, supplied by the exchange via lines a, b, is identified by a comparator circuit. An integrated oscillator, generates a 38 kHz clock signal,  $f_{\text{clock}}$ , via a coupled 2:1 divider. With the help of the external RC circuit, oscillation frequency is set at Pin 6. A PNP-transistor connected at Pin 5 enables the power transmission (transfer) in inductive or opto-coupler mode, which is selected at Pin 4. For inductive mode, Pin 4 is open, whereas for opto-coupler mode, Pin 4 is connected to GND (Pin 7).

#### Pin 1,8: Power Supply – a', b'

Pins 1 and 8 connect the circuit with the ac ringing signal supplied by the exchange via lines a and b. A 1 $\mu$ F decoupling capacitor of 1  $\mu$ F value together with a series resistance (1.5 k $\Omega$ ) protect the circuit from overload across Pins 1 and 8. The circuit features the following overload protection across the a', b' terminals:

- 1) It can withstand a voltage of 110 V @ 50 Hz for maximum time of 15 seconds.
- 2) Testing of the circuit according to figure 2 does not destroy the circuit under following conditions:

Charging voltage of surge capacitance:  $V_{\text{CS}} = 2 \text{ kV}$

Pulse shape: 10/700  $\mu$ s

Pulse sequence: 30 s

No. of surges: 10

Polarity change after 5 surges

#### Pin 2: Charging Capacitor (power supply filtering)

After the rectification of the ringing ac signal across the

bridge circuit, the smoothing of the power supply is provided by the external capacitance at Pin 2 (22 nF).

#### Pin 3: Comparator Threshold – TH

Comparator threshold – as regards the ringing voltage – is set at ca. 12.5 V. Switching threshold can be increased or decreased by connecting a resistance at Pin 3 w.r.t. GND.

#### Pin 4: Mode Selection – MS

The ringing ac signal transfer (transmission) without potential loss occurs either via an inductive or opto-coupler mode. Pin 4 is set to a high state by an internal power source of 4  $\mu$ A (approximately). This switches the output (Pin 5) to an operating state for the inductive mode. In case of opto-coupler mode, Pin 4 is connected to the ground (Pin 7).

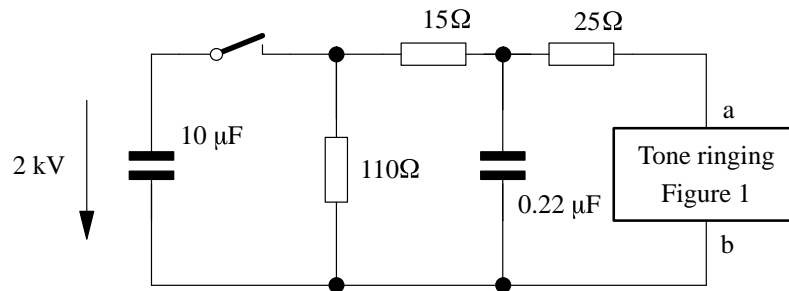
#### Pin 5: Switching Transistor Connection

An external PNP transistor, whose emitter is at  $V_S$  (Pin 2) potential, serves to control the inductive or opto-coupler mode by connecting the base of the transistor with Pin 5.

In case of inductive mode, the signal,  $f_{\text{clock}}$  is interrupted for the duration of  $t_{\text{pulse}} = 32/f_{\text{clock}}$ , with every transition (rise or fall) of the ringing ac signal,  $f_{\text{ring}}$ . During the interruption, the setting at Pin 5 is such that the coil is critically damped (attenuated), whereas a current of 10  $\mu$ A flows when the transistor at Pin 5 is switched on during the following  $t_{\text{pulse}}$  up to the next edge of the pulse.

In case of opto-coupler mode, the external transistor is switched on for a period of  $t_{\text{pulse}} = 32/f_{\text{clock}}$  with every flank of the pulse of  $f_{\text{ring}}$ .

Pin 5 is at high resistance upto the next edge (flank) of the transition pulse of the ringing ac signal.



93 7575 e

Figure 2

## Absolute Maximum Ratings

Reference point Pin 7, unless otherwise specified

Parameters	Symbol	Value	Unit
Supply current Pin 1, 8	$I_s$	50	mA
Ambient temperature range	$T_{amb}$	-10 to +60	°C
Storage temperature range	$T_{stg}$	-40 to +125	°C
Power dissipation $T_{amb} = 60^\circ\text{C}$	$P_{tot}$	360	mW
Junction temperature	$T_j$	125	°C

## Thermal Resistance

Parameters	Symbol	Value	Unit
Junction ambient	$R_{thJA}$	180	K/W

## Electrical Characteristics

 Reference point Pin 7,  $T_{amb} = -10$  to  $+60^\circ\text{C}$ ,  $V_B = 15$  V, unless otherwise specified

Parameters	Test Conditions / Pin	Symbol	Min	Typ	Max	Unit
Supply current	$f_{osc} = 65$ to $87$ kHz Pin 1, 8	$I_s$		420	500	µA
Threshold voltage for slope identification	Pin 3 open	$V_{TH}$	10	12.5	15	V
Audio impedance	$f = 300$ to $3400$ Hz $V_{1,8} = 1 \cdot 5 V_{rms}$	R	200			kΩ
Internal voltage limitation	$I_z = 1$ mA	$V_z$	26	30	32	V
Leakage current	1. phase 2. phase	Pin 5 $i_5$ $i_5$	100 150			µA µA
Base current (PNP open)	Pin 5	$I_{B(5)}$	7	10	13	µA
Oscillator frequency range	Pin 6	$f_{osc}$	32.5	38	48.5	kHz
Duty-cycle	Pin 6		0.67	1		
Interrupted (pause) time of the output signal				$32/f_{clock}$		

## U4078B

### Time Sequence

Internal clock frequency without RC tolerance

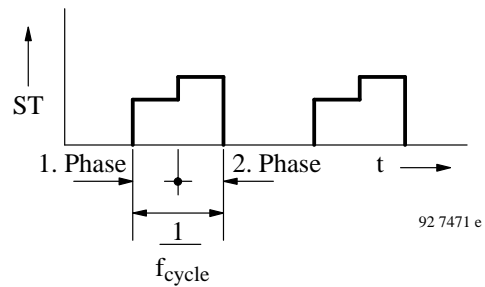
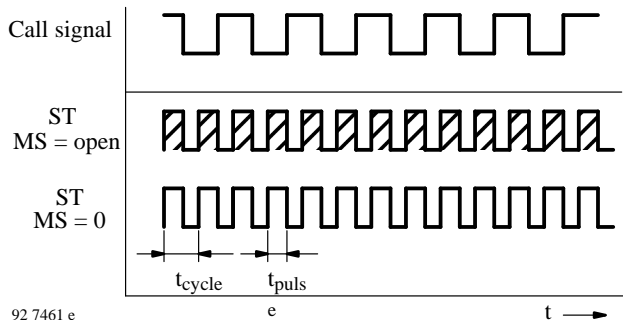
$t_{clock}$  During this time, a clock signal is given at Pin 5 (ST). Pin 4 is open or ST is high ohmic. (MS=GND)

$t_{pulse}$  By every polarity change of the call signal and MS open, the clock signal is interrupted for a time duration

$t_{pulse} = 32/f_{clock}$ . During interruption, the signal at ST (Pin5) is of such a value that the coil is critically attenuated (damped).

$$I_S (\text{PNP}) = I_{ST} \approx 10 \mu\text{A}$$

A current of  $I_{ST} \leq 150 \mu\text{A}$  is drawn from Pin 5 (ST) by every polarity change whereby MS is grounded.



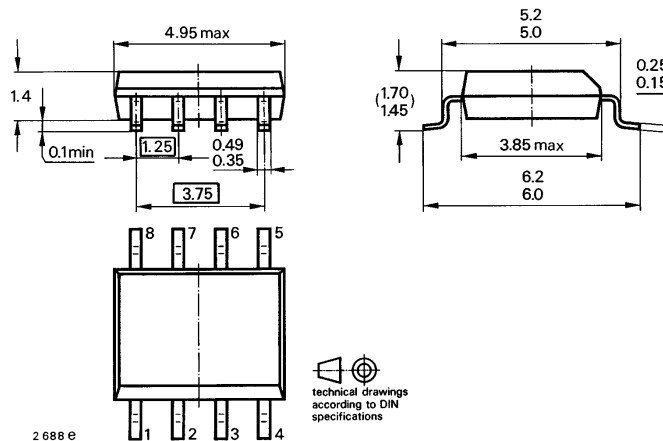
Current sequence at Pin 5 with an external PNP transistor connected as shown in figure 1. ( $f_{clock} = 38 \text{ kHz}$ )

### Ordering Information

Package	Type
SO8	U4078B-FP

### Dimensions in mm

Package: SO8



## Ozone Depleting Substances Policy Statement

It is the policy of **TEMIC TELEFUNKEN microelectronic GmbH** to

1. Meet all present and future national and international statutory requirements.
2. Regularly and continuously improve the performance of our products, processes, distribution and operating systems with respect to their impact on the health and safety of our employees and the public, as well as their impact on the environment.

It is particular concern to control or eliminate releases of those substances into the atmosphere which are known as ozone depleting substances (ODSs).

The Montreal Protocol (1987) and its London Amendments (1990) intend to severely restrict the use of ODSs and forbid their use within the next ten years. Various national and international initiatives are pressing for an earlier ban on these substances.

**TEMIC TELEFUNKEN microelectronic GmbH** semiconductor division has been able to use its policy of continuous improvements to eliminate the use of ODSs listed in the following documents.

1. Annex A, B and list of transitional substances of the Montreal Protocol and the London Amendments respectively
2. Class I and II ozone depleting substances in the Clean Air Act Amendments of 1990 by the Environmental Protection Agency (EPA) in the USA
3. Council Decision 88/540/EEC and 91/690/EEC Annex A, B and C (transitional substances) respectively.

**TEMIC** can certify that our semiconductors are not manufactured with ozone depleting substances and do not contain such substances.

**We reserve the right to make changes to improve technical design and may do so without further notice.**

Parameters can vary in different applications. All operating parameters must be validated for each customer application by the customer. Should the buyer use TEMIC products for any unintended or unauthorized application, the buyer shall indemnify TEMIC against all claims, costs, damages, and expenses, arising out of, directly or indirectly, any claim of personal damage, injury or death associated with such unintended or unauthorized use.

TEMIC TELEFUNKEN microelectronic GmbH, P.O.B. 3535, D-74025 Heilbronn, Germany  
Telephone: 49 (0)7131 67 2831, Fax number: 49 (0)7131 67 2423