

TW420
2 in 1 Light



Specifications

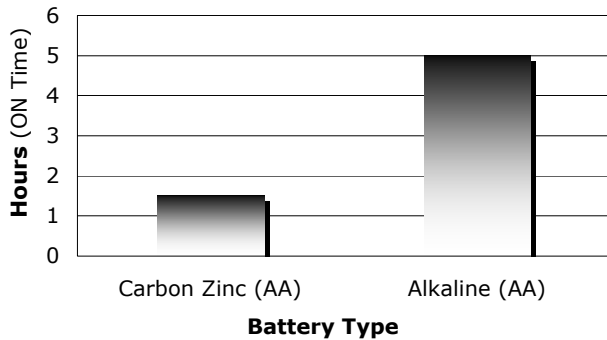
- Designation:** Energizer Flashlight
- Power Source:** Four AA Size Batteries (ANSI/NEDA 15 Series)
- Configuration:** Series - Parallel Circuit
- Lamp:** No. KPR-102 (Rated at 2.4V, 0.7A)
- Lamp Life:** Rated at 15 Hours
- Lamp Output:** Rated at 16.5 Lumens
- Typical Weight:** 226 grams (8.0 oz.) (without batteries)

Features

- 6 Hours of Continuous Runtime
- Unique Two-Way Design
- Spot Light - Area Light
- Rugged, Impact Resistant Housing
- Rubber Grip
- Krypton Bulb
- Lanyard Included

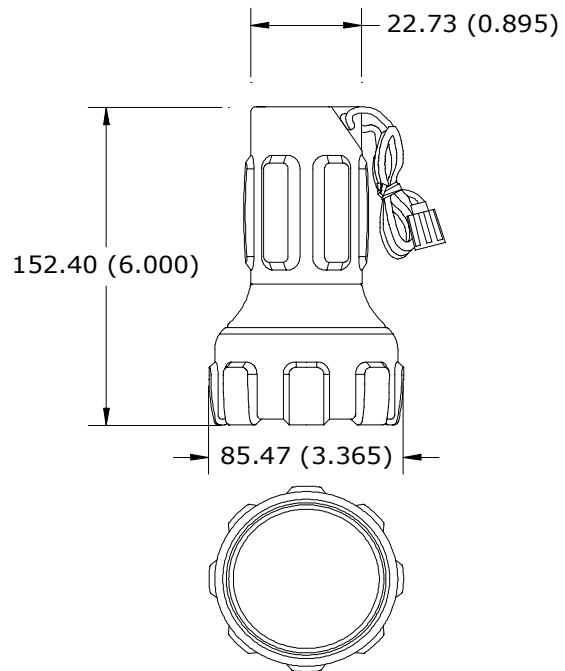
Typical Battery Service

350 mA Continuous
at 21°C (70°F)



Physical Dimensions

mm (inches)



Typical Battery Service to 0.9V (per battery) at 21°C (70°F)

| Schedule | Battery Type | Hours (ON Time) |
|-------------------|--------------|-----------------|
| 350 mA Continuous | 1215 | 1.5 |
| 350 mA Continuous | E91 | 5.0 |

Important Notice

This datasheet contains information specific to flashlights manufactured at the time of its publication.
Contents herein do not constitute a warranty.
Copyright Eveready Battery Co. Inc. - All Rights Reserved