

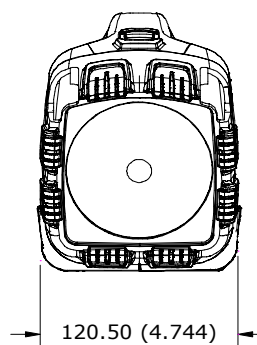
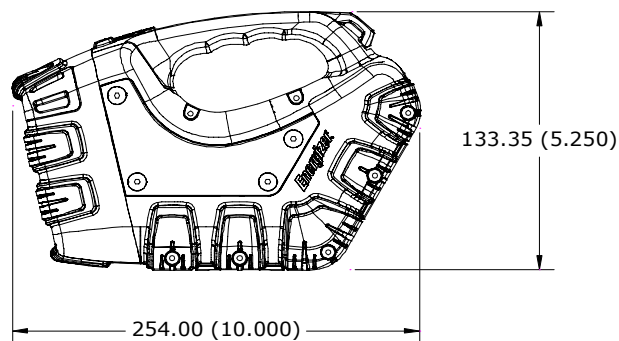
**TUF4D1**  
Hard Case Lantern™



**Specifications**

- Designation:** Energizer Flashlight
- Power Source:** Four D Size Batteries (ANSI/NEDA 13 Series)
- Lamp:** No. SKPR823 (Rated at 4.8V, 1.1A)
- Lamp Life:** Rated at 10 Hours
- Lamp Output:** Rated at 84 Lumens
- Typical Weight:** 1,200 grams (42.4 oz.) (without batteries)

**Physical Dimensions**  
mm (inches)

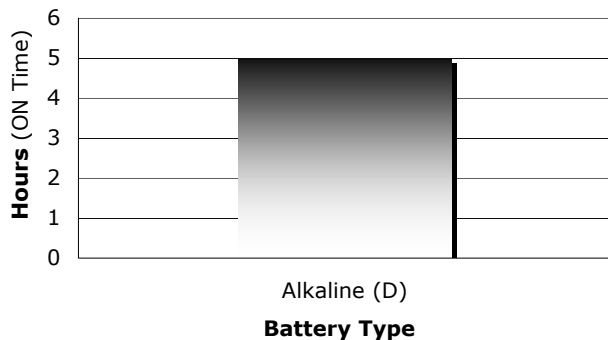


**Features**

- Impact Resistant
- Steel Plate Bolted Sides
- Waterproof
- Shatterproof Lens
- Survives a 15 Foot Drop
- Built-In Two Position Stand
- Super Krypton Bulb

**Typical Battery Service**

Continuous  
at 21°C (70°F)



**Typical Battery Service to 0.9V (per battery) at 21°C (70°F)**

<u>Schedule</u>	<u>Battery Type</u>	<u>Hours (ON Time)</u>
Continuous	E95	5.0

**Important Notice**

This datasheet contains information specific to flashlights manufactured at the time of its publication.  
**Contents herein do not constitute a warranty.**  
Copyright Eveready Battery Co. Inc. - All Rights Reserved