

# ILLUMINATED SWITCHES

## TP1251: ILLUMINATED PUSHBUTTON SWITCHES



### FEATURES

- Momentary switch action
- 12mm square
- Very low profile
- High brilliance illumination
- 3 LED colour options
- Suitable for membrane backlighting
- Standard 2.54mm terminal pitch
- High reliability due to simplified operating mechanism and low current

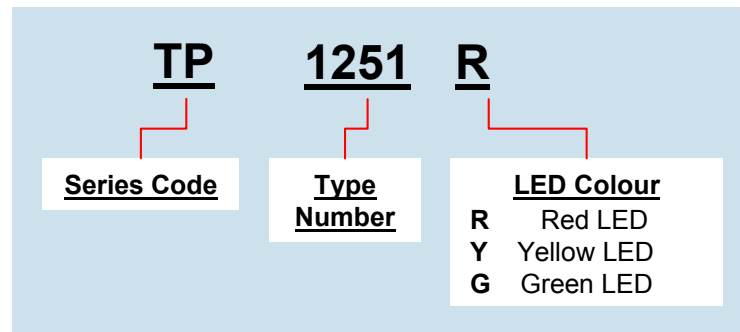
### DESCRIPTION

The TP 1251 series of miniature, PCB mounted, pushbutton switches is designed for applications that demand a minimal overall height and are particularly suitable for illuminated membrane switch panels. The switches are fully backlit and are available in red, yellow and green and exhibit a high degree of brilliance due to an innovative filter and reflector construction. A simplified operating mechanism and low current requirement ensure high reliability in use.

### SPECIFICATIONS

Electrical		Electrical Performance – LED				
		IF	V <sub>F</sub> Typical	Peak Reverse Voltage	Max Forward Current	
Rating	12V DC 50mA max					
Contact Resistance	100mΩ max					
Insulation Resistance	00MΩ min @ 100V DC					
Dielectric Strength	250V AC for 1 minute					
Mechanical	Operating Life Operating Temperature Operating Force	Red	15mA	4.1V	6V	20mA
		Yellow	15mA	4.2V	6V	20mA
		Green	15mA	4.2V	6V	20mA
	1 million operations					
	-10°C to +60°C					
	3.0N max					

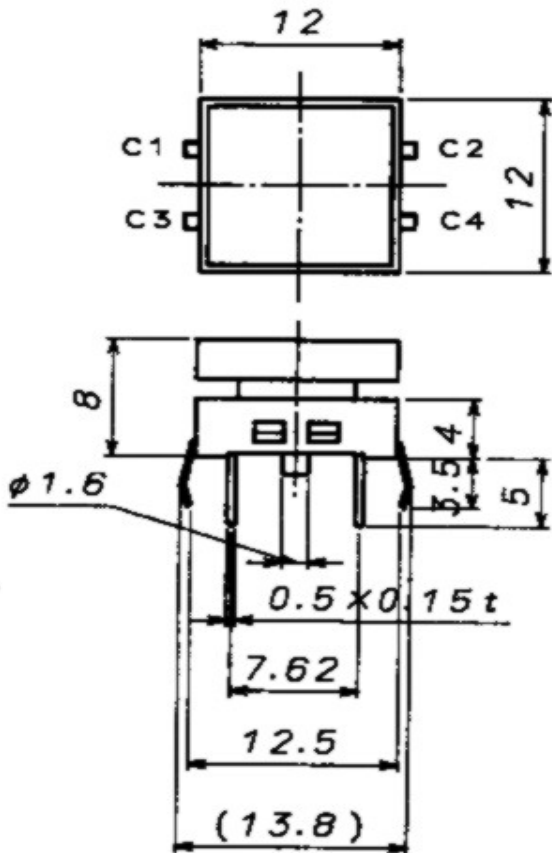
### ORDERING INFORMATION



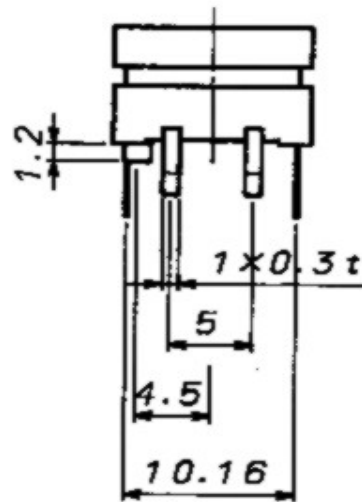
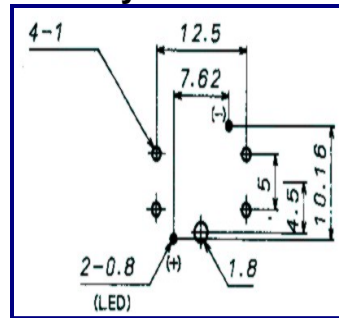
# ILLUMINATED SWITCHES

## TP1251: ILLUMINATED PUSHBUTTON SWITCHES

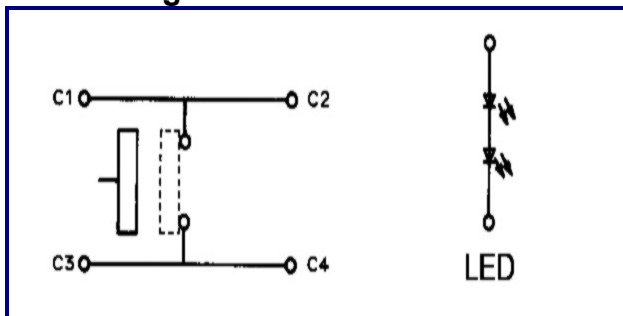
### DIMENSIONS



### PCB Layout



### Circuit Diagram



All measurements are in mm.  
Tolerance +/- 0.3mm unless shown.  
This leaflet is believed to contain the best information at time of printing, but is subject to change without notice.



Devlin Electronics Limited, Unit D1, Grafton Way, Basingstoke, Hants, RG22 6HZ, England

Telephone 01256 467367 email [sales@devlincomponents.co.uk](mailto:sales@devlincomponents.co.uk) Website [www.devlincomponents.co.uk](http://www.devlincomponents.co.uk)