

CMOS 8-Bit Microcontroller

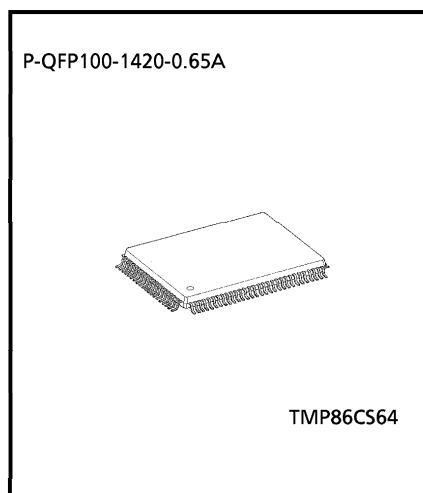
TMP86CS64F

The TMP86CS64 is the high-speed and high-performance 8-bit microcomputer, including a 10-bit AD converter, multi-function timer/counter, serial interface (UART/SIO) and two clock generators on chip.

Product No.	ROM	RAM	Package	OTP MCU
TMP86CS64F	60 K × 8 bits	2 K × 8 bits	P-QFP100-1420-0.65A	TMP86PS64F

Features

- ◆ 8-bit single-chip microcomputer TLCS-870/C series microcomputer
- ◆ Instruction execution time: 0.25 μ s (at 16 MHz)
122 μ s (at 32.768 kHz)
- ◆ 132 types and 731 basic instructions
- ◆ 21 interrupt sources (External: 6, Internal: 15)
- ◆ Input/output ports (91 pins)
 - Large-current output: 16 pins (typ. 20 mA), LED direct drive
- ◆ Watchdog timer
- ◆ Time base timer
- ◆ 16-bit timer counter: 2 channels
 - Timer, event counter, programmable pulse generator (PPG) output, pulse width measurement, external trigger timer, window mode
- ◆ 8-bit timer counter: 4 channels
 - Timer, event counter, PWM, PPG output, programmable divider output (PDO)
- ◆ 10-bit successive approximation type AD converter with sample and hold
 - Analog input: 16 channel

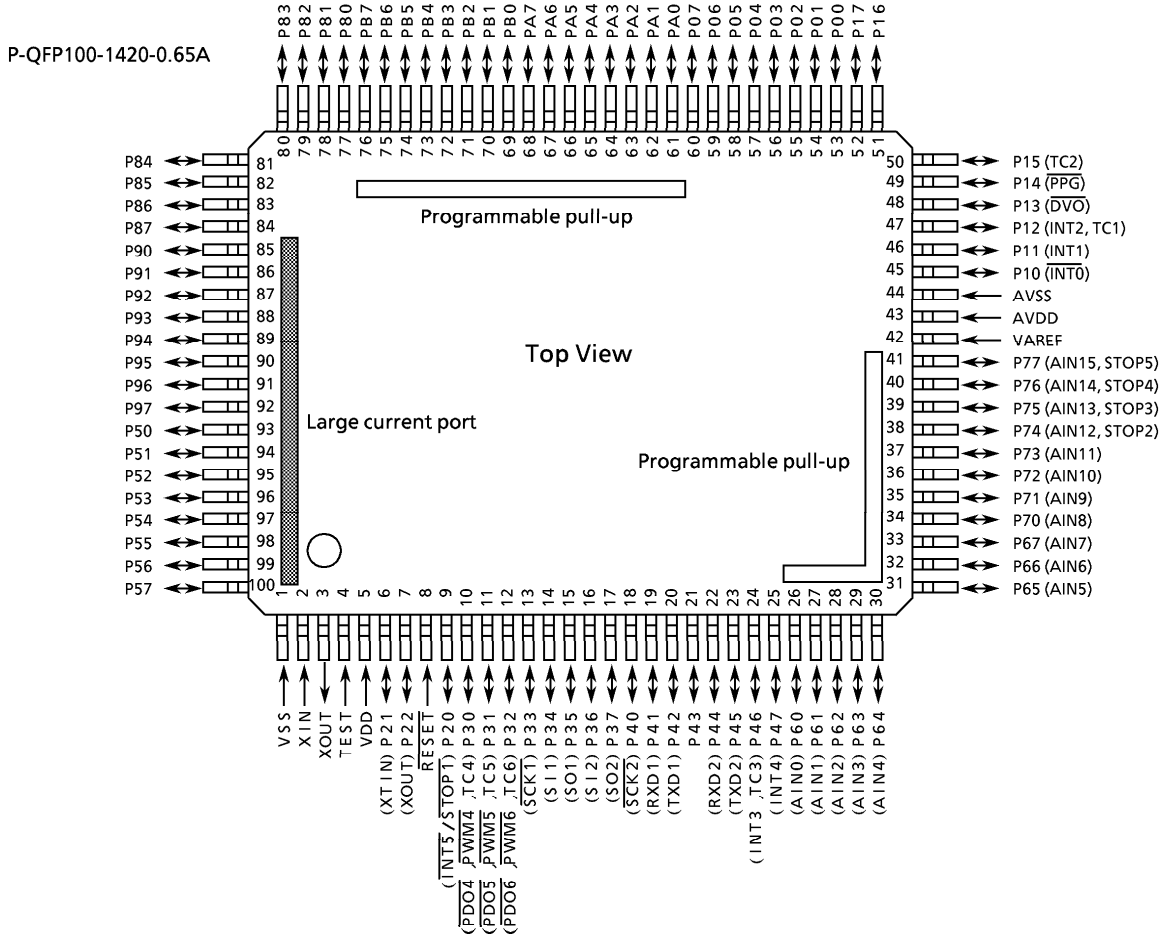


000707EBP1

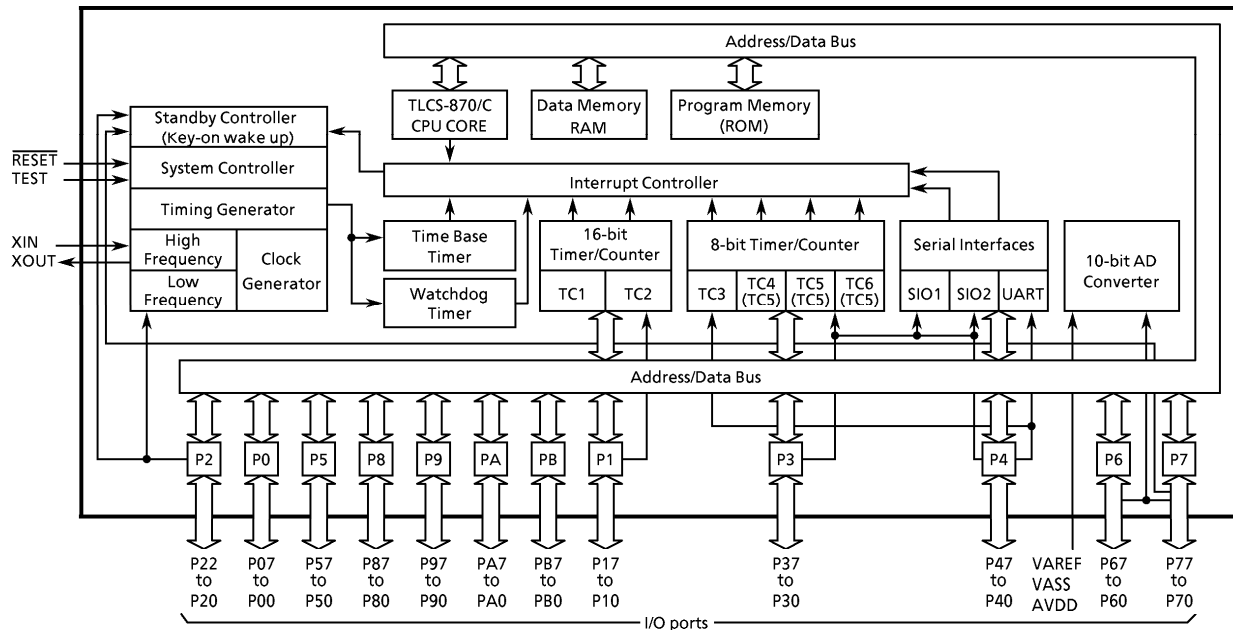
- For a discussion of how the reliability of microcontrollers can be predicted, please refer to Section 1.3 of the chapter entitled Quality and Reliability Assurance / Handling Precautions.
- TOSHIBA is continually working to improve the quality and reliability of its products. Nevertheless, semiconductor devices in general can malfunction or fail due to their inherent electrical sensitivity and vulnerability to physical stress. It is the responsibility of the buyer, when utilizing TOSHIBA products, to comply with the standards of safety in making a safe design for the entire system, and to avoid situations in which a malfunction or failure of such TOSHIBA products could cause loss of human life, bodily injury or damage to property. In developing your designs, please ensure that TOSHIBA products are used within specified operating ranges as set forth in the most recent TOSHIBA products specifications. Also, please keep in mind the precautions and conditions set forth in the "Handling Guide for Semiconductor Devices," or "TOSHIBA Semiconductor Reliability Handbook" etc..
- The TOSHIBA products listed in this document are intended for usage in general electronics applications (computer, personal equipment, office equipment, measuring equipment, industrial robotics, domestic appliances, etc.). These TOSHIBA products are neither intended nor warranted for usage in equipment that requires extraordinarily high quality and/or reliability or a malfunction or failure of which may cause loss of human life or bodily injury ("Unintended Usage"). Unintended Usage include atomic energy control instruments, airplane or spaceship instruments, transportation instruments, traffic signal instruments, combustion control instruments, medical instruments, all types of safety devices, etc.. Unintended Usage of TOSHIBA products listed in this document shall be made at the customer's own risk.
- The products described in this document are subject to the foreign exchange and foreign trade laws.
- The information contained herein is presented only as a guide for the applications of our products. No responsibility is assumed by TOSHIBA CORPORATION for any infringements of intellectual property or other rights of the third parties which may result from its use. No license is granted by implication or otherwise under any intellectual property or other rights of TOSHIBA CORPORATION or others.
- The information contained herein is subject to change without notice.

- ◆ Serial interface
 - 8-bit SIO: 2 channels
 - 8-bit UART: 1 channel (for IrDA, Selectable use terminal)
- ◆ Programmable pull-up: 4 ports
- ◆ Key-on-wake-up: 4 channels
- ◆ Clock oscillator circuit: 2 lines (Single/Dual-clock mode)
- ◆ Low power consumption voltage (9 modes)
 - STOP mode : Oscillation stops (Battery/Capacitor back-up).
 - SLOW1 mode : Low power consumption operation using low-frequency clock (high-frequency clock stop).
 - SLOW2 mode : Low power consumption operation using low-frequency clock (high-frequency clock oscillator).
 - IDLE0 mode : CPU stops, and only the Time Base Timer (TBT) on Peripherals operate using high-frequency clock. Release by falling edge of the source clock which is set by TBTCCR<TBTCK>
 - IDLE1 mode : CPU stops, and Peripherals operate using high-frequency clock. Release by interrupts (CPU restarts).
 - IDLE2 mode : CPU stops, and Peripherals operate using high-and low-frequency clock. Release by interrupt (CPU restarts).
 - SLEEP0 mode : CPU stops, and only the Time Base Timer (TBT) on Peripherals operate using low-frequency clock. Release by falling edge of the source clock which is set by TBTCCR<TBTCK>
 - SLEEP1 mode : CPU stops, and Peripherals operate using low-frequency clock. Release by interrupts (CPU restarts).
 - SLEEP2 mode : CPU stops, and Peripherals operate using high-and low-frequency clock. Release by interrupt (CPU restarts).
- ◆ Operating voltage: 4.5 to 5.5 V at 16 MHz/32.768 kHz, 2.7 to 5.5 V at 8 MHz/32.768 kHz

Pin Assignments (Top View)



Block Diagram



Pin Functions (1/3)

Pin Name	I/O	Functions		
P00	I/O	8-bit programmable input/output port. Input or output specified on bit basis.	—	
P01				
P02				
P03				
P04				
P05				
P06				
P07				
P10 ($\overline{\text{INT0}}$)	I/O (Input)	8-bit programmable input/output port. Input or output specified on bit basis.	External interrupt input	
P11 (INT1)			External interrupt input	
P12 (INT2/TC1)			External interrupt input/ Timer counter input	
P13 ($\overline{\text{DVO}}$)	I/O (Output)	When using pins for external interrupt input or timer/counter input, set them to input mode. When using pins for DVO output or PPG output, the output latches set to 1.	DVO output	
P14 ($\overline{\text{PPG}}$)			PPG output	
P15 (TC2)	I/O (Input)		Timer counter input	
P16	I/O		—	
P17		—		
P20 ($\overline{\text{STOP1}}/\overline{\text{INT5}}$)	I/O (Input)	3-bit input/output ports. When used as input port, external interrupt input, STOP mode release signal input, the input mode is configured.	STOP mode release input/ External interrupt input	
P21 (XTIN)	I/O (Output)		Low-frequency oscillator connecting pin	
P22 (XTOUT)				
P30 (TC4/PWM4/PDO4)	I/O (Input/Output/Output)	8-bit programmable input/output port. Input or output specified on bit basis. When using pins for timer/counter input or SI, set them to input mode. When using pins PWM output, PDO output or SO, set them to output mode.	Timer/Counter input PWM output/ PDO output	
P31 (TC5/PWM5/PDO5)				
P32 (TC6/PWM6/PDO6)				
P33 ($\overline{\text{SCK1}}$)	I/O (Input/Output)		SIO clock input/output	
P34 (SI1)	I/O (Input)		SIO input	
P35 (SO1)	I/O (Output)		SIO output	
P36 (SI2)	I/O (Input)		SIO input	
P37 (SO2)	I/O (Output)		SIO output	
P40 ($\overline{\text{SCK2}}$)	I/O (Input/Output)	8-bit programmable input/output port. Input or output specified on bit basis. When using pins for UART, set to output latches. When using pins for open-drain output, set to P4ODE and P4CR.	SIO clock input/output	
P41 (RXD1)	I/O (Input)		UART data input	
P42 (TXD1)	I/O (Output)		UART data output	
P43	I/O		—	
P44 (RXD2)	I/O (Input)		UART data input	
P45 (TXD2)	I/O (Output)		UART data output	
P46 (INT3/TC3)	I/O (Input)			External interrupt input/ Timer counter input
P47 (INT4)				External interrupt input

Pin Functions (2/3)

Pin Name	I/O	Functions	
P50	I/O	8-bit programmable input/output ports. Input or output specified on bit basis. With a Nch large current output, the direct operation of LED enable.	—
P51			
P52			
P53			
P54			
P55			
P56			
P57			
P60 (AIN0)	I/O (Input)	8-bit programmable input/output port. Input or output specified on bit basis. Programmable pull-up enable.	AD converter analog input
P61 (AIN1)			
P62 (AIN2)			
P63 (AIN3)			
P64 (AIN4)			
P65 (AIN5)			
P66 (AIN6)			
P67 (AIN7)			
P70 (AIN8)	I/O (Input)	8-bit programmable input/output port. Input or output specified on bit basis. Programmable pull-up enable.	AD converter analog input
P71 (AIN9)			
P72 (AIN10)			
P73 (AIN11)			
P74 (AIN12/STOP2)			AD converter analog input STOP mode release input
P75 (AIN13/STOP3)			
P76 (AIN14/STOP4)			
P77 (AIN15/STOP5)			
P80	I/O	8-bit programmable input/output port. Input or output specified on bit basis.	—
P81			
P82			
P83			
P84			
P85			
P86			
P87			
P90	I/O	8-bit programmable input/output port. Input or output specified on bit basis. With a Nch large current output, the direct operation of LED enable.	—
P91			
P92			
P93			
P94			
P95			
P96			
P97			

Pin Functions (3/3)

Pin Name	I/O	Functions	
PA0	I/O	8-bit programmable input/output ports. Input or output specified on bit basis. Programmable pull-up enable.	—
PA1			
PA2			
PA3			
PA4			
PA5			
PA6			
PA7			
PB0	I/O	8-bit programmable input/output port. Input or output specified on bit basis. Programmable pull-up enable.	—
PB1			
PB2			
PB3			
PB4			
PB5			
PB6			
PB7			
TEST	Input	Shipment test pin, fix to "L" level	
RESET	Input	—	
XIN	Input	High-frequency oscillator connecting pins. For external clock input, input to XIN and leave XOUT open.	
XOUT	Output		
VSS	Power supply	GND	
VDD		VCC	
AVSS		Analog voltage for AD conversion.	
AVDD		Analog voltage for AD conversion.	
VAREF		Analog reference voltage for AD conversion.	

Operational Description

1. CPU Core Functions

The CPU core consists of a CPU, a system clock controller, and an interrupt controller.

This section provides a description of the CPU core, the program memory, the data memory, and the reset circuit.

1.1 Memory Address Map

The TMP86CS64 memory consist of 4 blocks: ROM, RAM, DBR (Data Buffer Register) and SFR (Special Function Register). They are all mapped in 64 Kbyte address space. Figure 1-1 shows the TMP86CS64 memory address map. The general-purpose registers are not assigned to the RAM address space.

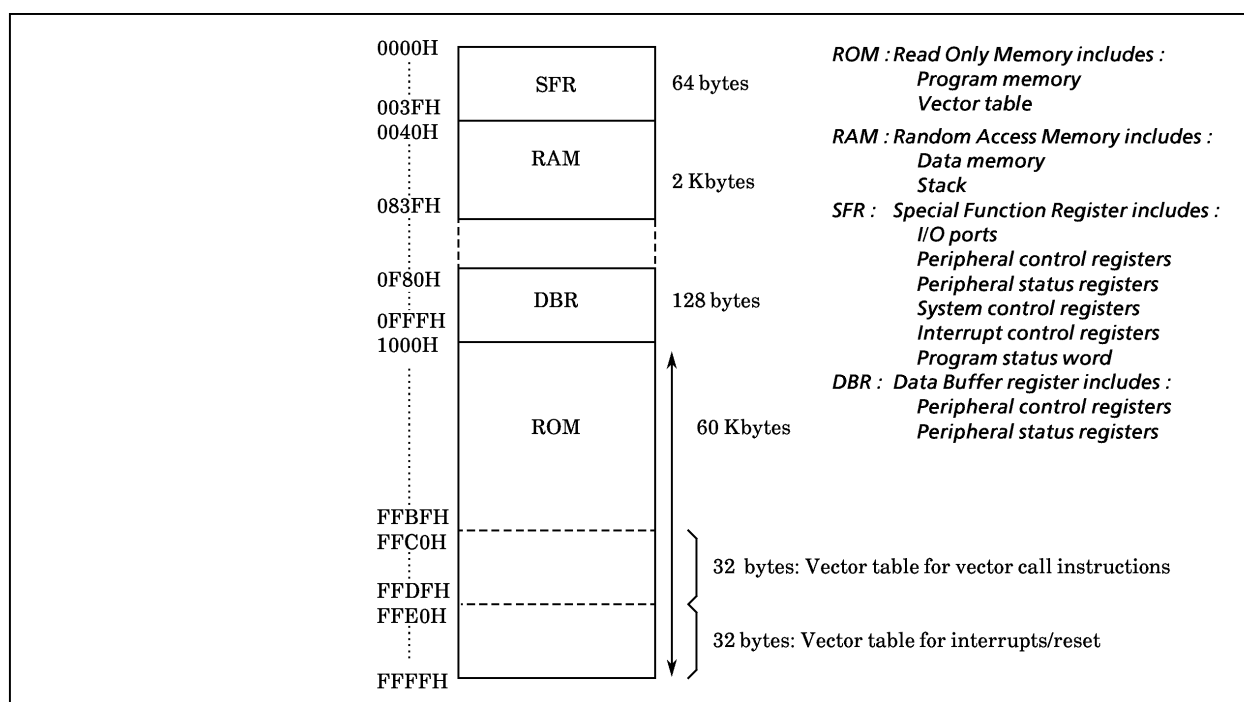


Figure 1-1. Memory Address Map

1.2 Program Memory (ROM)

The TMP86CS64 has a 60 K×8 bits (Address 1000H to FFFFH) of program memory (mask programmed ROM). However, placing program memory on the internal RAM is deregulated if a certain procedure is executed (See 2.4.5 Address trap).

Electrical Characteristics

Absolute Maximum Ratings ($V_{SS} = 0\text{ V}$)

Parameter	Symbol	Pins	Ratings	Unit
Supply Voltage	V_{DD}		- 0.3 to 6.5	V
Input Voltage	V_{IN}		- 0.3 to $V_{DD} + 0.3$	
Output Voltage	V_{OUT}		- 0.3 to $V_{DD} + 0.3$	
Output Current (Per 1 pin)	I_{OUTH}		- 3.2	mA
	I_{OUT1}	Except P5, P9	3.2	
	I_{OUT2}	P5	30	
	I_{OUT3}	P9		
Output Current (Total)	ΣI_{OUT1}	Except P5, P9	60	
	ΣI_{OUT2}	P5		
	ΣI_{OUT3}	P9		
Power Dissipation [$T_{opr} = 85^\circ\text{C}$]	PD		250	mW
Soldering Temperature (time)	T_{sld}		260 (10 s)	$^\circ\text{C}$
Storage Temperature	T_{stg}		- 55 to 125	
Operating Temperature	T_{opr}		- 40 to 85	

Note: The absolute maximum ratings are rated values which must not be exceeded during operation, even for an instant. Any one of the ratings must not be exceeded. If any absolute maximum rating is exceeded, a device may break down or its performance may be degraded, causing it to catch fire or explode resulting in injury to the user. Thus, when designing products which include this device, ensure that no absolute maximum rating value will ever be exceeded.

Recommended Operating Condition ($V_{SS} = 0\text{ V}$, $T_{opr} = -40\text{ to }85^\circ\text{C}$)

Parameter	Symbol	Pins	Condition	Min	Max	Unit	
Supply Voltage	V_{DD}		$f_c = 1\text{ to }16\text{ MHz}$	Each operation modes	4.5	5.5	V
			$f_c = 1\text{ to }8\text{ MHz}$	Each operation modes	2.7	5.5	
			$f_s = 32.768\text{ kHz}$	Each operation modes	2.7	5.5	
			STOP mode		2.0	5.5	
Input high Level	V_{IH1}	Hysteresis	$V_{DD} \geq 4.5\text{ V}$	$V_{DD} \times 0.70$	V_{DD}	V	
	V_{IH2}	Hysteresis		$V_{DD} \times 0.75$			
	V_{IH3}			$V_{DD} < 4.5\text{ V}$			$V_{DD} \times 0.90$
Input low Level	V_{IL1}	Hysteresis	$V_{DD} \geq 4.5\text{ V}$	0	$V_{DD} \times 0.30$	V	
	V_{IL2}	Hysteresis			$V_{DD} \times 0.25$		
	V_{IL3}				$V_{DD} < 4.5\text{ V}$		$V_{DD} \times 0.10$
Clock Frequency	f_c	XIN, XOUT	$V_{DD} = 4.5\text{ to }5.5\text{ V}$	1.0	16.0	MHz	
			$V_{DD} = 2.7\text{ to }5.5\text{ V}$		8.0		
	f_s	XTEN, XTOUT		30.0	34.0	kHz	

Note: The recommended operating conditions for a device are operating conditions under which it can be guaranteed that the device will operate as specified. If the device is used under operating conditions other than the recommended operating conditions (supply voltage, operating temperature range, specified AC/DC values etc.), malfunction may occur. Thus, when designing products which include this device, ensure that the recommended operating conditions for the device are always adhered to.

DC Characteristics (V_{SS} = 0 V, T_{opr} = -40 to 85°C)

Parameter	Symbol	Pins	Condition	Min	Typ.	Max	Unit
Hysteresis Voltage	V _{HS}	Hysteresis input		-	0.9	-	V
Input Current	I _{IN1}	TEST	V _{DD} = 5.5 V, V _{IN} = 5.5 V/0 V	-	-	± 2	μA
	I _{IN2}	Sink Open Drain, Tri-state port					
	I _{IN3}	STOP, RESET					
Input Resistance	R _{IN1}	TEST	V _{DD} = 5.5 V	-	70	-	kΩ
	R _{IN2}	RESET		100	220	450	
	R _{IN3}	Programmable pull up (P6, P7, PA, PB)	40	80	200		
OSC. Feedback resistance	R _{fx}	XIN-XOUT		-	1.2	-	MΩ
	R _{fxT}	XTIN-XTOUT		-	6	-	
Output Leakage Current	I _{LO1}	Sink Open Drain port	V _{DD} = 5.5 V, V _{OUT} = 5.5 V	-	-	2	μA
	I _{LO2}	Tri-state port	V _{DD} = 5.5 V, V _{OUT} = 5.5 V/0 V	-	-	± 2	
"H" output Voltage	V _{OH}	Tri-state port	V _{DD} = 4.5 V, I _{OH} = -0.7 mA	4.1	-	-	V
"L" output Voltage	V _{OL3}	P5, P9	V _{DD} = 4.5 V, I _{OL} = 1.6 mA	-	-	0.4	
"L" output Current	I _{OL1}	Except P5, P9	V _{DD} = 4.5 V, V _{OL} = 0.4 V	-	1.6	-	mA
	I _{OL3}	High current port (P5, P9)	V _{DD} = 4.5 V, V _{OL} = 1.0 V	-	20	-	
Supply Current in Normal 1, 2 mode	I _{DD}		V _{DD} = 5.5 V V _{IN} = 5.3 V/0.2 V	-	7	8	mA
Supply Current in IDLE 1, 2 mode			f _c = 16 MHz f _s = 32.768 kHz	-	4	5	
Supply Current in SLOW 1 mode			V _{DD} = 3.0 V V _{IN} = 2.8 V/0.2 V	-	10	20	μA
Supply Current in SLEEP 0, 1 mode			f _s = 32.768 kHz	-	6	12	
Supply Current in STOP mode			V _{DD} = 5.5 V V _{IN} = 5.3 V/0.2 V	-	0.5	10	

Note 1: Typical values show those at T_{opr} = 25°C, V_{DD} = 5 V

Note 2: Input current (I_{IN1}, I_{IN3}); The current through pull-up or pull-down resistor is not included.

Note 3: I_{DD} does not include I_{REF} current.

AD Conversion Characteristics

 $(V_{SS} = 0\text{ V}, 4.5\text{ V} \leq V_{DD} \leq 5.5\text{ V}, T_{opr} = -40\text{ to }85^{\circ}\text{C})$

Parameter	Symbol	Condition	Min	Typ.	Max	Unit
Analog Reference Voltage	V_{AREF}		$A_{VDD} - 1.0$	-	A_{VDD}	V
Power Supply Voltage of Analog Control Circuit	A_{VDD}		V_{DD}			
	A_{VSS}		V_{SS}			
Analog Reference of Voltage Range	ΔV_{AREF}		3.5	-	V_{DD}	
Analog Input Voltage	V_{AIN}		V_{SS}	-	V_{AREF}	
Power Supply Current of Analog Reference Voltage	I_{REF}	$V_{DD} = A_{VDD} = V_{AREF} = 5.5\text{ V}$ $V_{SS} = A_{VSS} = 0.0\text{ V}$	-	0.6	1.0	mA
Non linearity Error			-	-	± 2	LSB
Zero Point Error		$V_{DD} = A_{VDD} = 5.0\text{ V}$ $V_{SS} = A_{VSS} = 0.0\text{ V}$ $V_{AREF} = 5.0\text{ V}$	-	-	± 2	
Full Scale Error			-	-	± 2	
Total Error			-	-	± 4	

 $(V_{SS} = 0\text{ V}, 2.7\text{ V} \leq V_{DD} < 4.5\text{ V}, T_{opr} = -40\text{ to }85^{\circ}\text{C})$

Parameter	Symbol	Condition	Min	Typ.	Max	Unit
Analog Reference Voltage	V_{AREF}		$A_{VDD} - 1.0$	-	A_{VDD}	V
Power Supply Voltage of Analog Control Circuit	A_{VDD}		V_{DD}			
	A_{VSS}		V_{SS}			
Analog Reference of Voltage Range	ΔV_{AREF}		2.5	-	V_{DD}	
Analog Input Voltage	V_{AIN}		V_{SS}	-	V_{AREF}	
Power Supply Current of Analog Reference Voltage	I_{REF}	$V_{DD} = A_{VDD} = V_{AREF} = 4.5\text{ V}$ $V_{SS} = A_{VSS} = 0.0\text{ V}$	-	0.5	0.8	mA
Non linearity Error			-	-	± 2	LSB
Zero Point Error		$V_{DD} = A_{VDD} = 2.7\text{ V}$ $V_{SS} = A_{VSS} = 0.0\text{ V}$ $V_{AREF} = 2.7\text{ V}$	-	-	± 2	
Full Scale Error			-	-	± 2	
Total Error			-	-	± 4	

Note 1: Total error includes all error except a quantization error, and is defined as a maximum deviation from the ideal conversion line.

Note 2: Conversion time is different in recommended value by power supply voltage.
About conversion time, please refer to "2.14.2 Register Framing".

Note 3: Please use input voltage to AIN input Pin in limit of $V_{AREF} - V_{SS}$.
When voltage of range outside is input, conversion value becomes unsettled and gives affect to other channel conversion value.

Note 4: Analog Reference Voltage Range: $\Delta V_{AREF} = V_{AREF} - A_{VSS}$

AC Characteristics

 $(V_{SS} = 0\text{ V}, V_{DD} = 4.5\text{ to }5.5\text{ V}, T_{opr} = -40\text{ to }85^{\circ}\text{C})$

Parameter	Symbol	Condition	Min	Typ.	Max	Unit
Machine Cycle Time	t _{cy}	NORMAL 1, 2 mode	0.25	-	4	μs
		IDLE 0, 1, 2 mode				
		SLOW 1, 2 mode	117.6	-	133.3	
		SLEEP 0, 1, 2 mode				
High Level Clock Pulse Width	t _{WCH}	For external clock operation (XIN input) f _c = 16 MHz	-	31.25	-	ns
Low Level Clock Pulse Width	t _{WCL}					
High Level Clock Pulse Width	t _{WSH}	For external clock operation (XTIN input) f _s = 32.768 kHz	-	15.26	-	μs
Low Level Clock Pulse Width	t _{WSL}					

 $(V_{SS} = 0\text{ V}, V_{DD} = 2.7\text{ to }4.5\text{ V}, T_{opr} = -40\text{ to }85^{\circ}\text{C})$

Parameter	Symbol	Condition	Min	Typ.	Max	Unit
Machine Cycle Time	t _{cy}	NORMAL 1, 2 mode	0.5	-	4	μs
		IDLE 0, 1, 2 mode				
		SLOW 1, 2 mode	117.6	-	133.3	
		SLEEP 0, 1, 2 mode				
High Level Clock Pulse Width	t _{WCH}	For external clock operation (XIN input) f _c = 8 MHz	-	62.5	-	ns
Low Level Clock Pulse Width	t _{WCL}					
High Level Clock Pulse Width	t _{WSH}	For external clock operation (XTIN input) f _s = 32.768 kHz	-	15.26	-	μs
Low Level Clock Pulse Width	t _{WSL}					

Recommended Oscillating Conditions-1

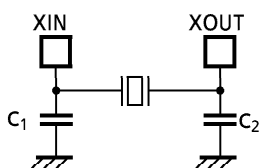
(V_{SS} = 0 V, V_{DD} = 4.5 to 5.5 V, Topr = - 40 to 85°C)

Parameter	Oscillator	Oscillation Frequency	Recommended Oscillator		Recommended Constant	
					C ₁	C ₂
High-frequency Oscillation	Ceramic Resonator	16 MHz	MURATA	CSA16.00MXZ040	10 pF	10 pF
		8 MHz	MURATA	CSA8.00MTZ	30 pF	30 pF
				CST8.00MTW	30 pF (built-in)	30 pF (built-in)
4.19 MHz	MURATA	CSA4.19MG	30 pF	30 pF		
		CST4.19MGW	30 pF (built-in)	30 pF (built-in)		
Low-frequency Oscillation	Crystal Oscillator	32.768 kHz	SII	VT-200	6 pF	6 pF

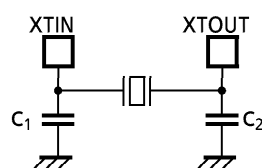
Recommended Oscillating Conditions-2

(V_{SS} = 0 V, V_{DD} = 2.7 to 5.5 V, Topr = - 40 to 85°C)

Parameter	Oscillator	Oscillation Frequency	Recommended Oscillator		Recommended Constant	
					C ₁	C ₂
High-frequency Oscillation	Ceramic Resonator	8 MHz	MURATA	CSA8.00MTZ	30 pF	30 pF
				CST8.00MTW	30 pF (built-in)	30 pF (built-in)
		4.19 MHz	MURATA	CSA4.19MG	30 pF	30 pF
		CST4.19MGW	30 pF (built-in)	30 pF (built-in)		



(1) High-frequency Oscillation



(2) Low-frequency Oscillation

Note 1: An electrical shield by metal shield plate on the surface of IC package is recommended in order to protect the device from the high electric field stress applied from CRT (Cathodic Ray Tube) for continuous reliable operation.

Note 2: The product numbers and specifications of the resonators by Murata Manufacturing Co., Ltd. are subject to change. For up-to-date information, please refer to the following URL;
<http://www.murata.co.jp/search/index.html>