

TLA 4215 is designed to be used in a 2-coil hybrid transformer configuration with the following features.

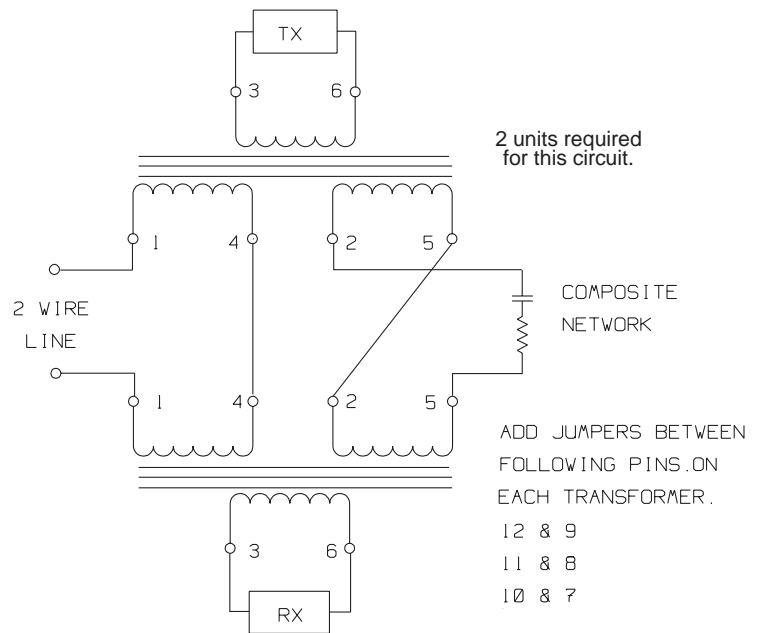
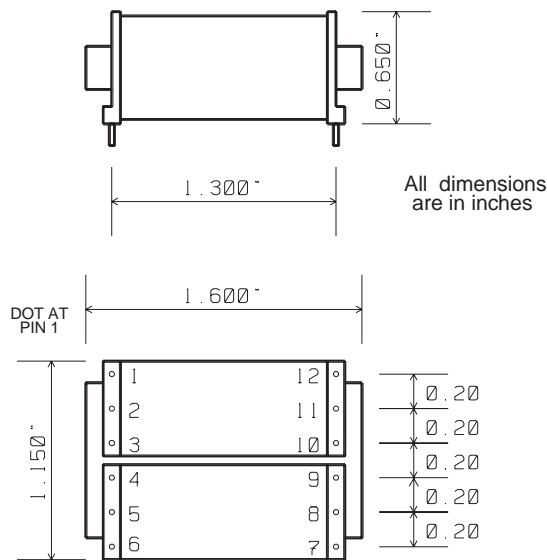
- Low profile.
- Small size.
- DC capability.
- Conforms to FCC Part 68 and C03 regulations.

Applications:

Interfacing of Telecommunications equipment requiring separate transmit and receive path to a 2-wire telephone line, where high transhybrid loss and DC loop current capability are required.



MECHANICAL



ELECTRICAL

TLA 4215 has the following electrical performance in a 2-coil hybrid configuration when terminated with 470 Ohms (Optimum) impedance at the RX and TX ports and up to 100mA on the 2-wire side.

Frequency Response	< 0.5 dB	300 Hz - 5000 Hz
Insertion Loss	< 1.0 dB	1000 Hz
Transhybrid Loss	> 55 dB	300 Hz - 5000 Hz
Return Loss at the 2-wire port	14.0 dB	300 Hz
	20.0 dB	500 - 5000 Hz
	24.0 dB	1000 - 3500 Hz
Dielectric Strength	1500 Vrms	winding to winding & windings to core