

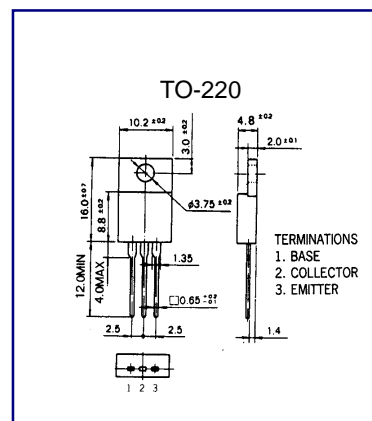


# TIP127 PNP SILICON DARLINGTON TRANSISTOR

SWITCHING REGULATORS PWM INVERTERS  
SOLENOID AND RELAY DRIVERS

## ABSOLUTE MAXIMUM RATINGS ( $T_A=25^\circ\text{C}$ )

Characteristic	Symbol	Rating	Unit
Collector-Base Voltage	$V_{CB0}$	-100	V
Collector-Emitter Voltage	$V_{CEO}$	-100	V
Collector Current (DC)	$I_C$	-5	A
Collector Dissipation ( $T_c=25^\circ\text{C}$ )	$P_C$	60	W
Junction Temperature	$T_j$	150	$^\circ\text{C}$
Storage Temperature	$T_{stg}$	-50~150	$^\circ\text{C}$



## ELECTRICAL CHARACTERISTICS ( $T_A=25^\circ\text{C}$ )

Characteristic	Symbol	Test Condition	Min	Typ	Max	Unit
Collector Cutoff Current	$I_{CBO}$	$V_{CB} = -100\text{V}, I_E = 0$			-10	$\mu\text{A}$
Collector Cutoff Current	$I_{CEO}$	$V_{CB} = -100\text{V}, I_B = 0$			-10	$\mu\text{A}$
DC Current Gain	$h_{FE}$	$V_{CE} = -5\text{V}, I_C = -0.5\text{A}$	1000		12000	
Collector- Emitter Saturation Voltage	$V_{CE(sat)}$	$I_C = -0.5\text{A}, I_B = -0.001\text{A}$			-1.5	V