

VI TELEFILTER**Filter Specification****TFS 70 Y****1/5****1. Measurement condition :**

Ambient temperature T_A :	23	°C.
Input power level:	0	dBm.
Terminating impedances in f_C *) :		
for input:	2,9 kOhm	-3,8 pF
for output:	2,9 kOhm	-3,8 pF
External coil:	820 nH	

2. Characteristics :

Remark: Reference level for the relative attenuation a_{rel} of the TFS70Y is the minimum of the pass band attenuation a_{min} . The minimum of the pass band attenuation a_{min} is defined as the insertion loss a_e . The reference frequency f_C is the arithmetic mean value of the upper and lower frequencies at the 3 dB filter attenuation level relative to the insertion loss a_e . The temperature coefficient of frequency T_C is valid both for the reference frequency f_C and the frequency response of the filter in the operating temperature range. The frequency shift of the filter in the operating temperature range is not included in the production tolerance scheme.

Data		typ. value	Variation / Limitation
Insertion Loss (Reference Level)	a_e	3,7 dB	max 6,0 dB
Centre frequency (at ambient temperature T_A)	f_C	70,002 MHz	70,0 ± 0,015 MHz
Relative Attenuation	a_{rel}		
$f_N - 35$ kHz ... $f_N + 35$ kHz		0,5 dB	max. 1 dB
$f_N ± 35$ kHz ... $f_N ± 47$ kHz		2 dB	max. 3 dB
$f_N ± 60$ kHz ... $f_N ± 90$ kHz		2,5 dB	min. 1 dB
$f_N ± 90$ kHz ... $f_N ± 450$ kHz		10 dB	min. 3 dB
$f_N ± 450$ kHz ... $f_N ± 500$ kHz		45 dB	min. 35 dB
$f_N ± 500$ kHz ... $f_N ± 10$ MHz		43 dB	min. 40 dB
Temperature Coefficient	T_C 2nd order **)	- 0,043 ppm/K	-
Turn over temperature	T_0	25 °C	-
Operating Temperature Range		-	- 5 °C ... + 70 °C
Storage Temperature Range		-	- 30 °C ... + 90 °C

*) The terminating impedances depend on parasitics and q-values of matching elements and the board used, and are to be understood as reference values only. Should there be additional questions, do not hesitate to ask for an application note or contact our design team.

***) $\Delta f_C(\text{Hz}) = T_C(\text{ppm/K}) \times (T - T_0)^2 \times f_{T0}(\text{MHz})$

generated: _____

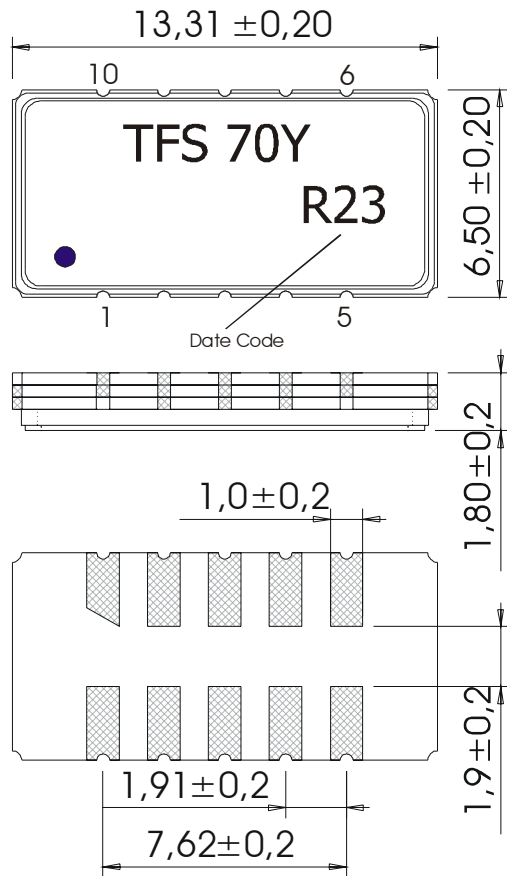
checked / approved: _____

Tele Filter GmbH
Potsdamer Straße 18
D 14 513 TELTOW / Germany
Tel: (+49) 3328 4784-0 / Fax: (+49) 3328 4784-30
E-Mail: tft@telefilter.com

VI TELEFILTER reserves the right to make changes to the product(s) and/or information contained herein without notice. No liability is assumed as a result of their use or application. No rights under any patent accompany the sale of any such product(s) or information.

3. Construction and Pin Configuration

(All Dimensions in mm)

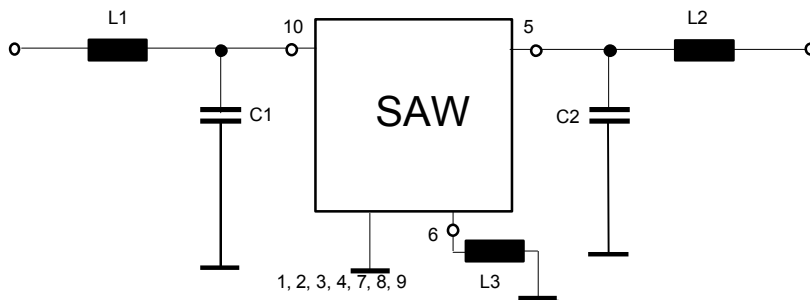


- 1 Input RF-Return
- 2 Ground
- 3 Ground
- 4 Ground
- 5 Output
- 6 External Coil
- 7 Ground
- 8 Ground
- 9 Ground
- 10 Input

Datecode Year+week

- N 2001
- P 2002
- R 2003
- ...

4. 50 Ω Matching Network



Tele Filter GmbH
 Potsdamer Straße 18
 D 14 513 TELTOW / Germany
 Tel: (+49) 3328 4784-0 / Fax: (+49) 3328 4784-30
 E-Mail: tft@telefilter.com

VI TELEFILTER reserves the right to make changes to the product(s) and/or information contained herein without notice. No liability is assumed as a result of their use or application. No rights under any patent accompany the sale of any such product(s) or information.

5. Stability characteristics :

After the following tests the filter shall meet the whole specification:

1. Shock: 500g, 18 ms, half sine wave, 3 shocks each plane;
DIN IEC 68 T2 - 27
2. Vibration: 10 Hz to 500 Hz, 0,35 mm or 5g respectively, 1 octave per min, 10 cycles per plan, 3 plans;
DIN IEC 68 T2 - 6
3. Change of temperature: -55 °C to 125 °C / 30 min. each / 10 cycles
DIN IEC 68 part 2 – 14 Test N
4. Resistance to solder heat (reflow): reflow possible: twice max.;
for temperature conditions refer to the attached "Air reflow temperature conditions" on page 4;

6. Packing

Tape & Reel: DIN IEC 286 – 3, with exception of value for N and minimum bending radius;
tape type II, embossed carrier tape with top cover tape on the upper side;

max. pieces of filters per reel:
reel of empty components at start:
reel of empty components at start including leader:
trailer

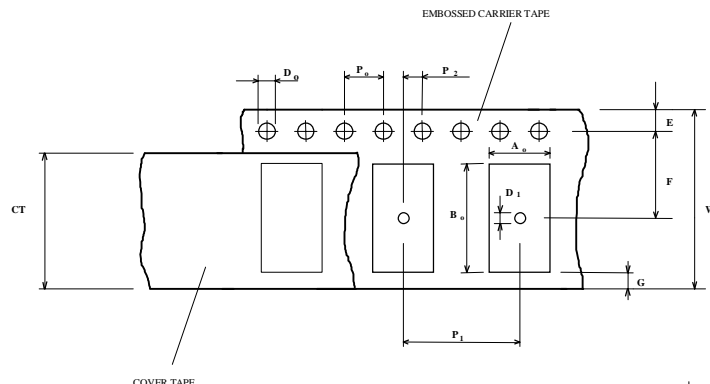
1700
min 300 mm
min 500 mm

mm

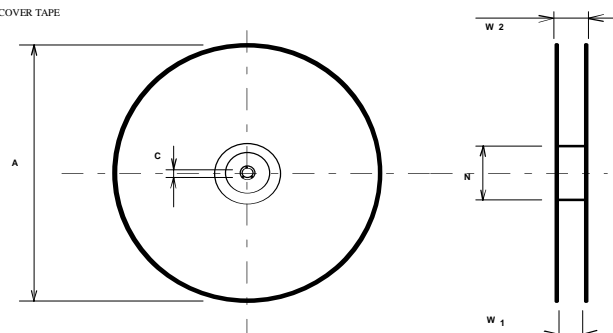
min 300

Tape (all dimensions in mm)

W	: 24	+0,3/ -0,1
Po	: 4	±0,1
Do	: 1,5	+0,1
E	: 1,75	±0,1
F	: 11,5	±0,1
G (min)	: 0,6	
P2	: 2	±0,1
P1	: 12	±0,1
D1(min)	: 1,5	
Ao	: 7,1	±0,1
Bo	: 13,9	±0,
CT	: 21,5	±0,1

**Reel (all dimensions in mm):**

A	: 330
W1	: 24,4 +2
W2 (max)	: 30,4
N (min)	: 60
C	: 13 +0,5/-0,2



The minimum bending radius is 45 mm. The mounting surface of the filters faces the bottom side of the embossed carrier tape. Markings on the filters can be read if the upper side of the carrier tape is regarded with the sprocket holes on its right.

Tele Filter GmbH
Potsdamer Straße 18
D 14 513 TELTOW / Germany
Tel: (+49) 3328 4784-0 / Fax: (+49) 3328 4784-30
E-Mail: ftf@telefilter.com

VI TELEFILTER reserves the right to make changes to the product(s) and/or information contained herein without notice. No liability is assumed as a result of their use or application. No rights under any patent accompany the sale of any such product(s) or information.

7. Air reflow temperature conditions1st and 2nd air reflow profile

Name:	pre-heating periods	main-heating periods	peak temperature
Temperature:	150 °C – 170 °C	over 200 °C	255 °C ± 5 °C
Time:	60 sec. – 90 sec.	20 sec. – 25 sec.	

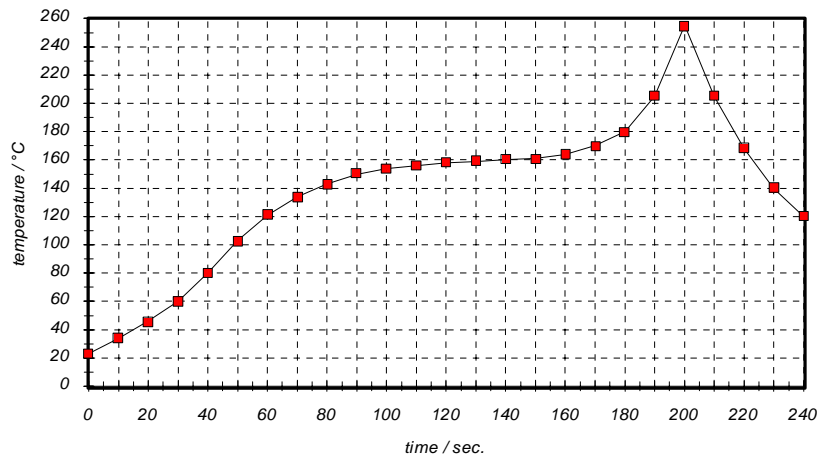
Chip-mount air reflow profile

Table for temperature vs. Time during the air reflow process

Tolerance of temperatures: ± 5 °C

time / sec.	Temperature / °C	time / sec.	Temperature / °C
0	23	140	160
10	34	150	161
20	46	160	164
30	60	170	170
40	80	180	180
50	103	190	205
60	121	195	230
70	134	200	255
80	143	205	230
90	150	210	205
100	154	215	180
110	156	220	165
120	158	230	140
130	159	240	120

Tele Filter GmbH
 Potsdamer Straße 18
 D 14 513 TELTOW / Germany
 Tel: (+49) 3328 4784-0 / Fax: (+49) 3328 4784-30
 E-Mail: tft@telefilter.com

VI TELEFILTER reserves the right to make changes to the product(s) and/or information contained herein without notice. No liability is assumed as a result of their use or application. No rights under any patent accompany the sale of any such product(s) or information.

8. History

Version	Reason of Changes	Name	Date
1.0	- Generate development specification	Steiner	30.07.2002
1.1	- Change package to 15*6,5 mm. - Add second package option (11*5 mm) - Change pass band width. - Correct typo for stop band definition. - Remove group delay limits. - Introduce centre frequency limits. - Change remark for characteristic.	Dr. Wall	20.12.2002
2.0	- Change from development specification to preliminary specification. - Remove package version 1. - Change 1 dB bandwidth from ± 40 kHz to ± 35 kHz minimum. - Change 3 dB bandwidth from ± 60 kHz to ± 47 kHz minimum. - Change insertion loss from 10 dB to 6 dB maximum. - Add typical values. - Add termination impedances. - Add packing information.	Dr. Wall	13.05.2003
3.0	- Change from preliminary specification to filter specification. - Change from 11*5 to 13*6,5 mm package. - Change pinning. - Change packing information. - Change termination impedances. - Add typical values.	Dr. Wall	06.06.2003

Tele Filter GmbH
Potsdamer Straße 18
D 14 513 TELTOW / Germany
Tel: (+49) 3328 4784-0 / Fax: (+49) 3328 4784-30
E-Mail: tft@telefilter.com

VI TELEFILTER reserves the right to make changes to the product(s) and/or information contained herein without notice. No liability is assumed as a result of their use or application. No rights under any patent accompany the sale of any such product(s) or information.