

VI TELEFILTER

Filter Specification

TFS 380G

Measurement condition

Ambient temperature: 23 °C
 Input power level: 0 dBm
 Terminating impedance at f_C *: input: 880 Ω || - 4,5 pF
 output: 850 Ω || - 3,7 pF

Characteristics

Remark:

The reference level for the relative attenuation a_{rel} of TFS 380G is the minimum of the pass band attenuation a_{min} . This value is defined as the insertion loss a_e . The centre frequency f_C is the arithmetic mean value of the upper and lower frequencies at the 1 dB filter attenuation level relative to the insertion loss a_e . The given values for the relative attenuation a_{rel} and the group delay ripple have to be reached at the frequencies given below, even if the centre frequency f_C is shifted due to the temperature coefficient of frequency TC_f in the operating temperature range and due to a production tolerance for the centre frequency f_C .

D a t a	typ. value	limit
Insertion loss $a_e = a_{min}$	12,6 dB	max. 14 dB
Nominal frequency f_N	-	380 MHz
Centre frequency f_C	380 MHz	-
Relative attenuation a_{rel}		
f_N	0,5 dB	max. 1 dB
$f_N \pm 1,72$ kHz	1,0 dB	max. 1,5 dB
$f_N \pm 2,5$ kHz	8 dB	min. 5 dB
$f_N \pm 3$ MHz	28 dB	min. 22 dB
$f_N \pm 4$ MHz	41 dB	min. 35 dB
$f_N - 375$ MHz	60 dB	min. 55 dB
$f_N - 50$ MHz	53 dB	min. 50 dB
$f_N - 14,5$ MHz	45 dB	min. 40 dB
$f_N + 6$ MHz	43 dB	min. 40 dB
$f_N + 50$ MHz	45 dB	min. 40 dB
Group delay ripple in $f_N \pm 1,92$ MHz	65 ns	max. 100 ns
Phase linearity in $f_N \pm 1,92$ MHz	0,8 deg rms	max. 3 deg rms
Input power level	-	max. + 20 dBm
VSWR within $f_N \pm 1,92$ MHz	16 dB	min. 12 dB
Operating temperature range	-	-10 °C...+ 85 °C
Storage temperature range	-	- 35 °C.. + 85 °C
Temperature coefficient TC **	- 0,04 ppm/K ²	-
Frequency inversion temperature T_0	45 °C	-

*) The terminating impedances depend on parasitics and q-values of matching elements and the board used, and are to be understood as reference values only. Should there be additional questions, do not hesitate to ask for an application note or contact our design team

**) $\Delta f(\text{Hz}) = TC_f(\text{ppm/K}) \times (T - T_0)^2 \times f_{T0}(\text{MHz})$

generated: _____

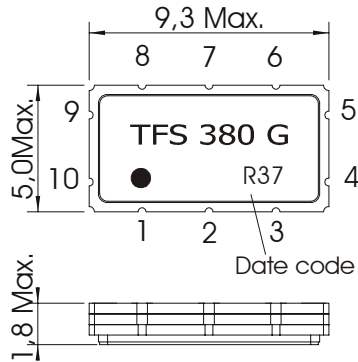
checked / approved: _____

TELEFILTER GmbH
Potsdamer Straße 18
D 14 513 TELTOW / Germany
Tel: (+49) 3328 4784-0 / Fax: (+49) 3328 4784-30
E-Mail: tft@telefilter.com

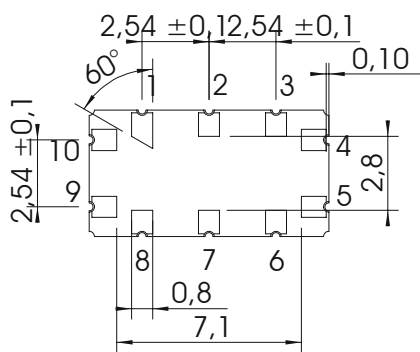
VI TELEFILTER reserves the right to make changes to the product(s) and/or information contained herein without notice. No liability is assumed as a result of their use or application. No rights under any patent accompany the sale of any such product(s) or information.

Construction and pin connection

(All dimensions in mm)

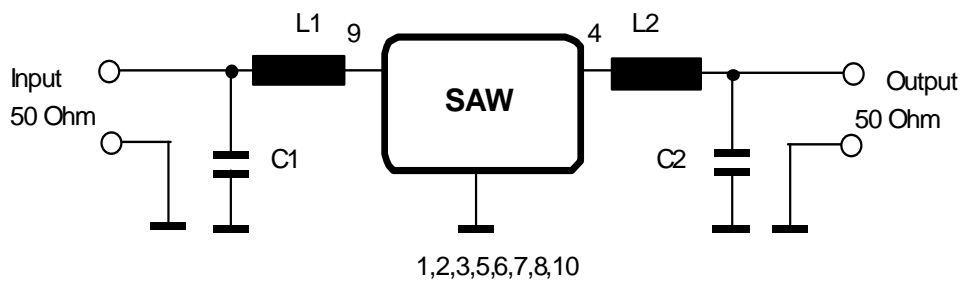


- 1 ground
- 2 ground
- 3 ground
- 4 output
- 5 output rf return
- 6 ground
- 7 ground
- 8 ground
- 9 input
- 10 input rf return



date code	year + week
N	2001
P	2002
R	2003
...	

50 Ω test circuit



TELEFILTER GmbH
 Potsdamer Straße 18
 D 14 513 TELTOW / Germany
 Tel: (+49) 3328 4784-0 / Fax: (+49) 3328 4784-30
 E-Mail: tft@telefilter.com

VI TELEFILTER reserves the right to make changes to the product(s) and/or information contained herein without notice. No liability is assumed as a result of their use or application. No rights under any patent accompany the sale of any such product(s) or information.

Stability characteristics

After the following tests the filter shall meet the whole specification:

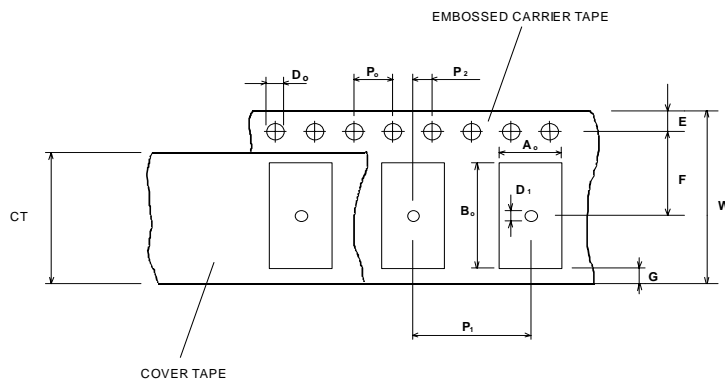
1. Shock: 500g, 18 ms, half sine wave, 3 shocks each plane;
DIN IEC 68 T2 - 27
2. Vibration: 10 Hz to 500 Hz, 0,35 mm or 5g respectively, 1 octave per min, 10 cycles per plan, 3 plans;
DIN IEC 68 T2 - 6
3. Change of temperature: -55 °C to 125°C / 30 min. each / 10 cycles
DIN IEC 68 part 2 – 14 Test N
4. Resistance to solder heat (reflow): reflow possible: twice max. ;
for temperature conditions, please refer to the attached "Air reflow temperature conditions" on page 4;

Packing

Tape & Reel: IEC 286 - 3, with exception of value for N and minimum bending radius;
tape type II, embossed carrier tape with top cover tape on the upper side;
max. pieces of filters per reel: 3000
reel of empty components at start: min 300 mm
reel of empty components at start including leader: min 500 mm
trailer: min 300 mm

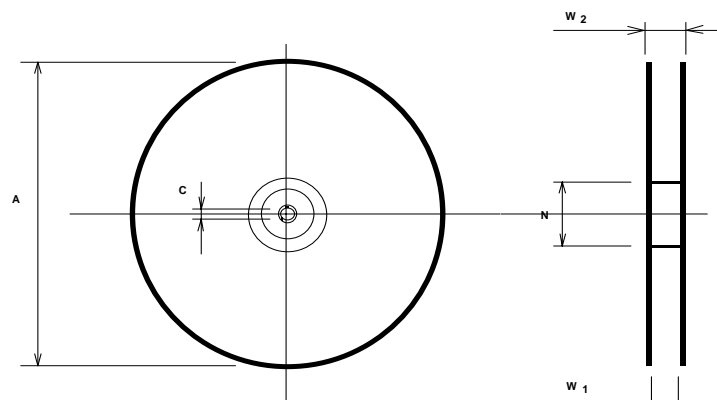
Tape (all dimensions in mm)

- W : 16 ± 0,3
- Po : 4 ± 0,1
- Do : 1,5 + 0,1
- E : 1,75 ± 0,1
- F : 7,5 ± 0,1
- G (min) : 0,60
- P2 : 2 ± 0,1
- P1 : 8 ± 0,1
- D1(min) : 1,5
- Ao : 5,30 ± 0,1
- Bo : 9,70 ± 0,1
- CT : 13,5 ± 0,1



Reel (all dimensions in mm):

- A : 330
- W1 : 16,40 +2,0
- W2 (max) : 22,4
- N (min) : 50
- C : 13,0 + 0,5/-0,2



The minimum bending radius is 45 mm. The mounting surface of the filters faces the bottom side of the embossed carrier tape. Markings on the filters can be read if the upper side of the carrier tape is regarded with the sprocket holes on its right.

TELEFILTER GmbH
Potsdamer Straße 18
D 14 513 TELTOW / Germany
Tel: (+49) 3328 4784-0 / Fax: (+49) 3328 4784-30
E-Mail: tft@telefilter.com

VI TELEFILTER reserves the right to make changes to the product(s) and/or information contained herein without notice. No liability is assumed as a result of their use or application. No rights under any patent accompany the sale of any such product(s) or information.

Air reflow temperature conditions

1st and 2nd air reflow profile

Name:	pre-heating periods	main-heating periods	peak temperature
Temperature:	150 °C - 170 °C	over 200 °C	255 °C ± 5 °C
Time:	60 sec. - 90 sec.	20 sec. - 25 sec.	

Chip-mount air reflow profile

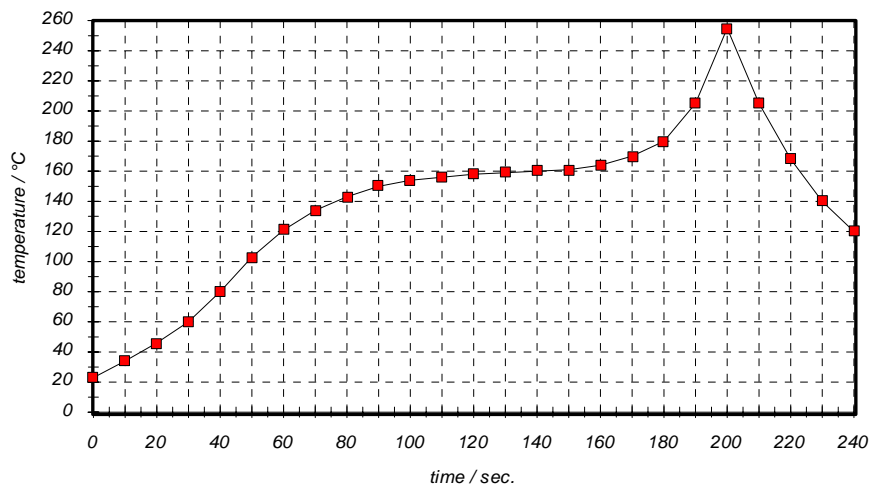


Table for temperature vs. time during the air reflow process

Tolerance of temperatures: ± 5 °C

time / sec.	temperature / °C	time / sec.	temperature / °C
0	23	140	160
10	34	150	161
20	46	160	164
30	60	170	170
40	80	180	180
50	103	190	205
60	121	195	230
70	134	200	255
80	143	205	230
90	150	210	230
100	154	210	205
110	156	215	180
120	158	220	165
130	159	230	140
		240	120

TELEFILTER GmbH
 Potsdamer Straße 18
 D 14 513 TELTOW / Germany
 Tel: (+49) 3328 4784-0 / Fax: (+49) 3328 4784-30
 E-Mail: tft@telefilter.com

VI TELEFILTER reserves the right to make changes to the product(s) and/or information contained herein without notice. No liability is assumed as a result of their use or application. No rights under any patent accompany the sale of any such product(s) or information.

VI TELEFILTER**Filter Specification****TFS 380G****5/5**

History

Version	Reason of Changes	Name	Date
1.0	generate development specification	Pfeiffer	29.07.2003
1.1	typical values, matching configuration and terminating impedance added	Pfeiffer	10.09.2003

TELEFILTER GmbH
Potsdamer Straße 18
D 14 513 TELTOW / Germany
Tel: (+49) 3328 4784-0 / Fax: (+49) 3328 4784-30
E-Mail: tft@telefilter.com

VI TELEFILTER reserves the right to make changes to the product(s) and/or information contained herein without notice. No liability is assumed as a result of their use or application. No rights under any patent accompany the sale of any such product(s) or information.