

VI TELEFILTER**Filter specification****TFS 285****1/5****Measurement condition**

Ambient temperature:	23 °C
Input power level:	0 dBm
Terminating impedance	
Input	30 Ω -21.2 pF
Output	35 Ω -21.6 pF

Characteristics**Remark:**

Reference level for the relative attenuation a_{rel} of the TFS 285 is the minimum of the pass band attenuation a_{min} . The minimum of the pass band attenuation a_{min} is defined as the insertion loss a_e . The centre frequency f_o is the arithmetic mean value of the upper and lower frequencies at the 30 dB filter attenuation level relative to the insertion loss a_e . The nominal frequency f_N is fixed on 285 MHz without tolerance. The given values for the relative attenuation a_{rel} and for the group delay ripple have to be reached at the frequencies given below also if the centre frequency f_o is shifted due to the temperature coefficient of frequency TC_f in the operating temperature range and due to a production tolerance for the centre frequency f_o

D a t a		typ. value	tolerance / limit
Insertion loss (Reference level)	$a_e = a_{min}$	9,5 dB	max. 12 dB
Nominal frequency	f_N	-	285 MHz
Pass band			
Pass band ripple	$f_N \pm 7,5$ MHz	0,8 dB	max. 1,2 dB
Passband width	3 dB		min. 20 MHz
Group delay GD			
Group delay ripple	$f_N \pm 7,5$ MHz	90 ns	max. 150 ns
Relative attenuation	a_{rel}		
$f_N - 75$ MHz ... $f_N - 20$ MHz		38 dB	min. 30 dB
$f_N + 20$ MHz ... $f_N + 75$ MHz		38 dB	min. 30 dB
VSWR ratio			
at $f_N - 7,5$ MHz ... $f_N + 7,5$ MHz		-	max. 2 : 1
Operating temperature range			- 5 °C ... + 85 °C
Temperature coefficient of frequency	TC_f	- 72 ppm/K	
Input power level			max. + 10 dBm

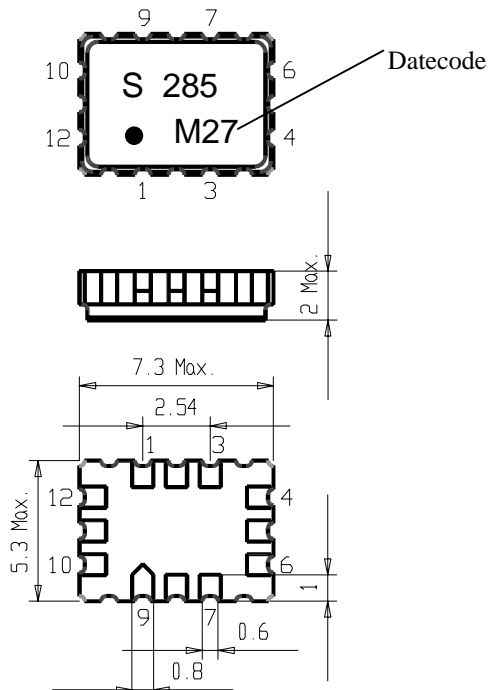
Generated:**Checked / approved:**

VI TELEFILTER
Potsdamer Straße 18
D 14 513 TELTOW / Germany
Tel: (+49) 3328 4784-52 / Fax: (+49) 3328 4784-30
E-Mail: tft@telefilter.com

Vectron International, Inc.
267 Lowell Road
Hudson, NH 03051 / USA
Tel: (603) 598-0070 Fax: (603) 598-0075
E-Mail: vti@vtinh.com

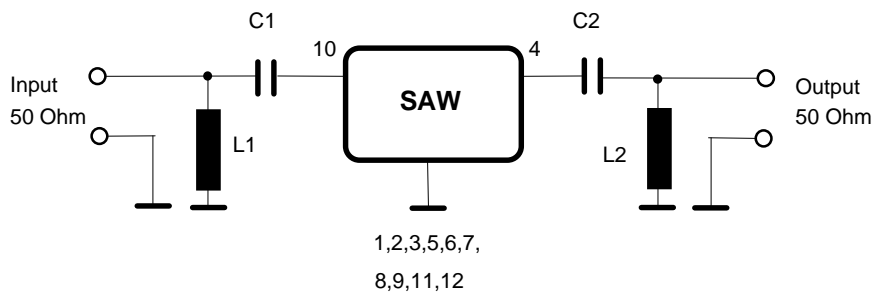
VI TELEFILTER reserves the right to make changes to the product(s) and/or information contained herein without notice. No liability is assumed as a result of their use or application. No rights under any patent accompany the sale of any such product(s) or information.

Construction and pin connection



1	Ground
2	Ground
3	Output RF Return
4	Output
5	Package Ground
6	Ground
7	Ground
8	Ground
9	Input RF Return
10	Input
11	Package Ground
12	Ground

Datecode:	Year+week
K	1998
L	1999
M	2000
...	

50 Ω test circuit

VI TELEFILTER
 Potsdamer Straße 18
 D 14 513 TELTOW / Germany
 Tel: (+49) 3328 4784-52 / Fax: (+49) 3328 4784-30
 E-Mail: tft@telefilter.com

Vectron International, Inc.
 267 Lowell Road
 Hudson, NH 03051 / USA
 Tel: (603) 598-0070 Fax: (603) 598-0075
 E-Mail: vti@vtinh.com

VI TELEFILTER reserves the right to make changes to the product(s) and/or information contained herein without notice. No liability is assumed as a result of their use or application. No rights under any patent accompany the sale of any such product(s) or information.

Stability Characteristics:

After the following tests the filter shall meet the whole specification:

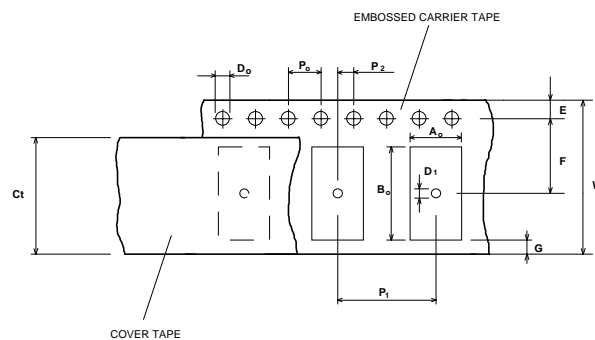
1. Shock: 500g, 18 ms, half sine wave, 3 shocks each plane;
DIN IEC 68 T2 - 27
2. Vibration: 10 Hz to 500 Hz, 0,35 mm or 5g respectively, 1 octave per min, 10 cycles per plan, 3 plans;
DIN IEC 68 T2 - 6
3. Damp heat: 25 °C to 55°C / 95% r.H. / 10 cycles
(cycle) DIN IEC 68 - 2 – 30 Db
4. Resistance to solder heat (reflow): max. 2 times reflow process;
for temperature conditions refer to the attached "Air reflow temperature conditions" on page 4;

Packing:

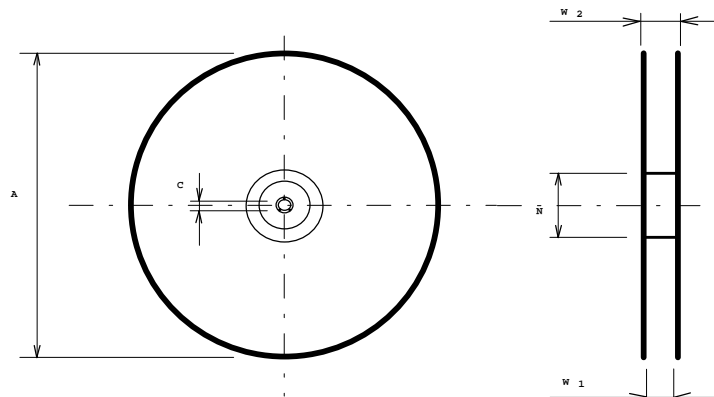
Tape & Reel: IEC 286 - 3, with exception of value for N and minimum bending radius;
tape type II, embossed carrier tape with top cover tape on the upper side;
max. pieces of filters per reel: 3000
Reel of empty components at start: min 300 mm
Reel of empty components at start including leader: min 500 mm
Trailer min 300 mm

Tape (all dimensions in mm)

W	: 16 ±0,3
Po	: 4 ±0,1
Do	: 1,5 +0,5
E	: 1,75 ±0,1
F	: 7,5 ±0,1
G (min)	: 0,6
P2	: 2 ±0,1
P1	: 8 ±0,1
D1(min)	: 1,5
Ao	: 5,5 ±0,1
Bo	: 7,5 ±0,1
Ct	: 13,5+/-0,1

**Reel (all dimensions in mm):**

A	:	330
W1	:	16,4 +2
W2 (max)	:	22,4
N (min)	:	50
C	:	13 + 0,5
	:	- 0,2



The minimum bending radius is 45 mm. The mounting surface of the filters faces the bottom side of the embossed carrier tape. The marking of the filters is readable if the sprocket holes are on the left side of the tape, i.e. pin 1 identifier is close to the sprocket holes.

VI TELEFILTER
Potsdamer Straße 18
D 14 513 TELTOW / Germany
Tel: (+49) 3328 4784-52 / Fax: (+49) 3328 4784-30
E-Mail: tft@telefilter.com

Vectron International, Inc.
267 Lowell Road
Hudson, NH 03051 / USA
Tel: (603) 598-0070 Fax: (603) 598-0075
E-Mail: vti@vtinh.com

VI TELEFILTER reserves the right to make changes to the product(s) and/or information contained herein without notice. No liability is assumed as a result of their use or application. No rights under any patent accompany the sale of any such product(s) or information.

Air reflow temperature conditions

1st and 2nd air reflow profile

Name:	pre-heating periods	main-heating periods	peak temperature
Temperature:	150 °C - 170 °C	over 200 °C	255 °C ± 5 °C
Time:	60 sec. - 90 sec.	20 sec. - 25 sec.	

Air reflow profile

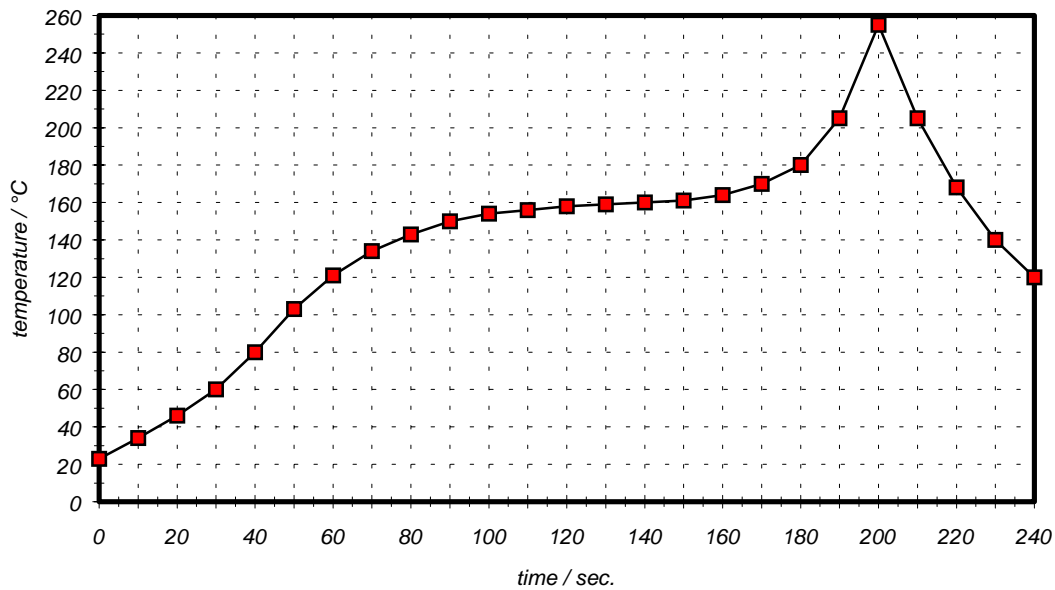


Table for temperature vs. time during the air reflow process

Tolerance of temperatures: ± 5 °C

time / sec.	temperature / °C	time / sec.	temperature / °C
0	23	140	160
10	34	150	161
20	46	160	164
30	60	170	170
40	80	180	180
50	103	190	205
60	121	195	230
70	134	200	255
80	143	205	230
90	150	210	205
100	154	215	180
110	156	220	165
120	158	230	140
130	159	240	120

VI TELEFILTER**Filter specification****TFS 285****5/5**

History

Version	Reason of Changes	Name	Date
1.0	- development specification	Steiner	03.03.2000
2.0	- complete specification (tape&reel,terminating impedances matching, soldering profile, new date code added)	Steiner	07.07.2000
	- loss corrected from 10,5 dB to 12 dB according to Nortel Specification	Steiner	07.07.2000

VI TELEFILTER
Potsdamer Straße 18
D 14 513 TELTOW / Germany
Tel: (+49) 3328 4784-52 / Fax: (+49) 3328 4784-30
E-Mail: tft@telefilter.com

Vectron International, Inc.
267 Lowell Road
Hudson, NH 03051 / USA
Tel: (603) 598-0070 Fax: (603) 598-0075
E-Mail: vti@vtinh.com

VI TELEFILTER reserves the right to make changes to the product(s) and/or information contained herein without notice. No liability is assumed as a result of their use or application. No rights under any patent accompany the sale of any such product(s) or information.