

VI TELEFILTER**Filter Specification****TFS 140E - 1/4****Measurement Condition**

Ambient Temperature: 23 °C
 Input Power Level: 0 dBm
 Terminating Impedances:
 for Input: 860 Ω || - 1,2 pF
 for Output: 860 Ω || - 1,2 pF

Characteristics**Remark:**

Reference level for the relative attenuation a_{rel} of the TFS 140 E is the minimum of the pass band attenuation a_{min} . The minimum of the pass band attenuation a_{min} is defined as the insertion loss a_e . The centre frequency f_0 is the arithmetic mean value of the upper and lower frequencies at the 3 dB filter attenuation level relative to the insertion loss a_e . The nominal frequency f_N is fixed on 140,455 MHz without tolerance. The given values for the relative attenuation a_{rel} have to be reached at the frequencies given below also if the centre frequency f_0 is shifted due to the temperature coefficient of frequency TC_f in the operating temperature range and due to a production tolerance for the centre frequency f_0 .

D a t a		typ. Value	Variation/ Limitation
Insertion Loss (Reference Level)	a_e	-	max 5 dB
Nominal Frequency	f_N	-	140,455 MHz
Relative Attenuation	a_{rel}		
$f_N \pm 25$ kHz		-	max 3 dB
$f_N \pm 75$ kHz ... $f_N \pm 125$ kHz		-	min 8 dB
$f_N \pm 125$ kHz ... $f_N \pm 455$ kHz		-	min 20 dB
@ $f_N \pm 455$ kHz		-	min 60 dB
Intermodulation (third order IM products) Intermodulation in the composit signal by $f_N \pm 60$ kHz and $f_N \pm 120$ kHz each of - 20 dBm		-	max. -88 dBm
Operating Temperature Range Storage Temperature Range		- 54 °C ... + 100 °	- 40 °C ... + 85 °C
Temperature Coefficient	TC	- 0,036 ppm/K ²	-
Frequency Inversion Temperature		+ 25 °C	-

Generated:**Checked / Approved:**

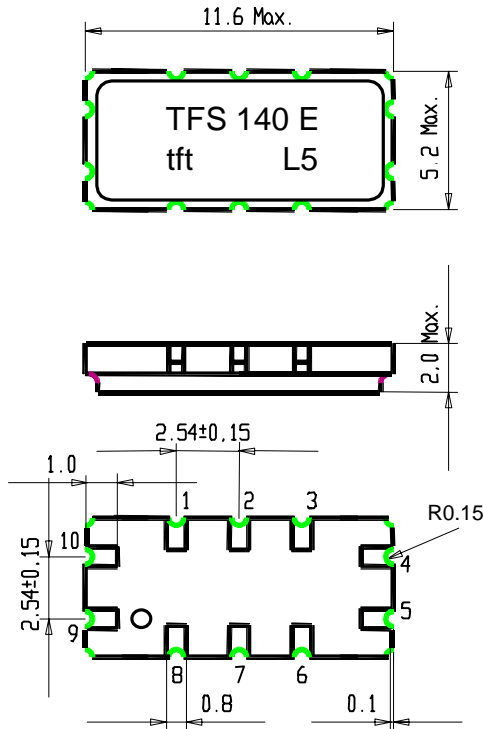
VI TELEFILTER
 Potsdamer Straße 18
 D 14 513 TELTOW / Germany
 Tel: (+49) 3328 4784-52 / Fax: (+49) 3328 4784-30
 E-Mail: tft@telefilter.com

Vectron Technologies, Inc.
 267 Lowell Road
 Hudson, NH 03051 / USA
 Tel: (603) 598-0070 Fax: (603) 598-0075
 E-Mail: vti@vtinh.com

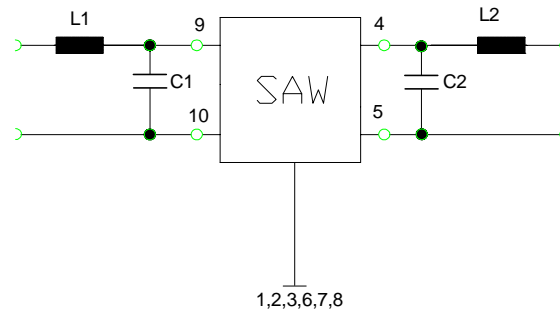
Construction and Pin Configuration

(All Dimensions in mm)

Remark: Only in the development stage the name of the filter is TFD 140 E.



- Pin 4 - Output
- Pin 5 - Output RF Return
- Pin 9 - Input
- Pin 10 - Input RF Return
- Pin 1,2,3,6,7,8 - Ground



Air reflow temperature conditions

1st and 2nd air reflow profile

Name:	pre-heating periods	main-heating periods	peak temperature
Temperature:	150 °C - 170 °C	over 200 °C	255 °C ± 5 °C
Time:	60 sec. - 90 sec.	20 sec. - 25 sec.	

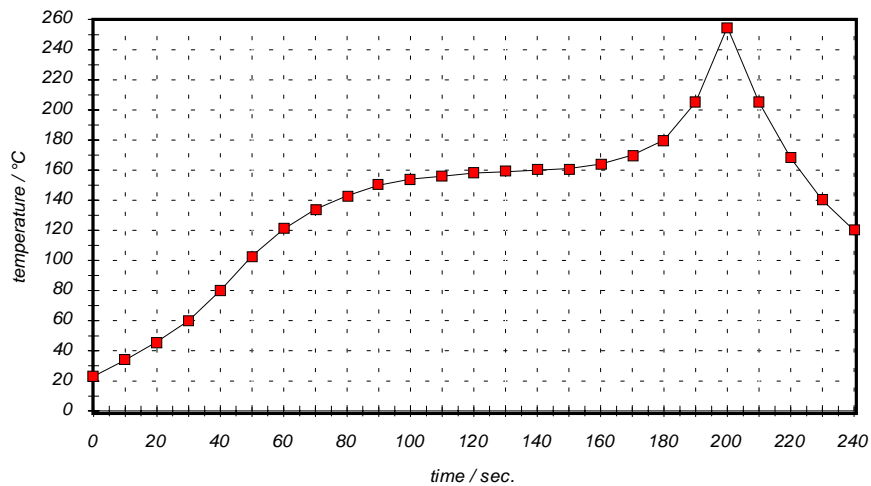
Chip-mount air reflow profile

Table for temperature vs. time during the air reflow process

Tolerance of temperatures: ± 5 °C

time / sec.	temperature / °C	time / sec.	temperature / °C
0	23	140	160
10	34	150	161
20	46	160	164
30	60	170	170
40	80	180	180
50	103	190	205
60	121	195	230
70	134	200	255
80	143	205	230
90	150	210	205
100	154	215	180
110	156	220	165
120	158	230	140
130	159	240	120