

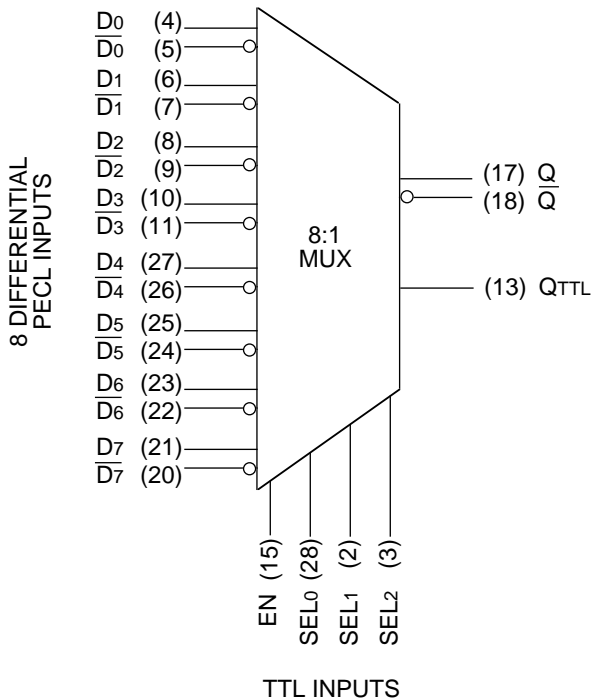
### FEATURES

- Low skew
- Differential PECL inputs
- Differential cut-off PECL outputs capable of driving 25Ω load for driving data bus
- Tri-state TTL output
- TTL select and enable input
- Internal 75KΩ PECL input pull-down resistors
- PECL I/O fully compatible with industry standard
- Available in 28-pin PLCC package

### DESCRIPTION

The SY100S863 is a PECL 8:1 multiplexer designed for use in new, high-performance PECL systems. It has differential PECL outputs and a standard TTL output. The TTL select inputs (SEL<sub>0</sub>, SEL<sub>1</sub>, SEL<sub>2</sub>) determine which one of the eight differential PECL data inputs (D<sub>0</sub>–D<sub>7</sub>) is propagated to the outputs. The enable pin, EN, is provided for expansion. When EN is at a TTL logic one level, both PECL and TTL outputs are enabled. When the enable pin is set to TTL logic zero level, both PECL outputs of the differential pair are in cut-off and the TTL output is in a three-state condition.

### BLOCK DIAGRAM

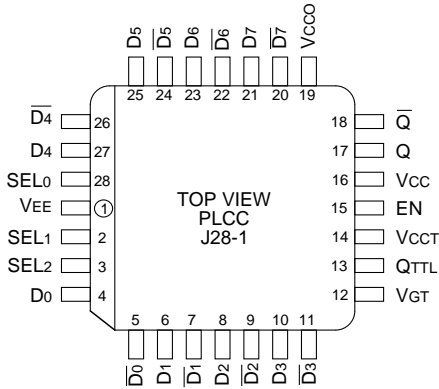


### PIN NAMES

Pin	Function
D <sub>0</sub> , /D <sub>0</sub> – D <sub>7</sub> , /D <sub>7</sub>	Differential PECL Input Pairs
Q, /Q	Differential PECL Outputs
QTTL	TTL Output
EN	Enable Input
SEL <sub>0,1,2</sub>	Select Inputs

**PACKAGE/ORDERING INFORMATION**

**Ordering Information**



**28-Pin PLCC (J28-1)**

Part Number	Package Type	Operating Range	Package Marking	Lead Finish
SY100S863JC	J28-1	Commercial	SY100S863JC	Sn-Pb
SY100S863JCTR <sup>(1)</sup>	J28-1	Commercial	SY100S863JC	Sn-Pb
SY100S863JZ <sup>(2)</sup>	J28-1	Commercial	SY100S863JZ with Pb-Free bar-line indicator	Matte-Sn
SY100S863JZTR <sup>(1, 2)</sup>	J28-1	Commercial	SY100S863JZ with Pb-Free bar-line indicator	Matte-Sn

**Notes:**

1. Tape and Reel.
2. Pb-Free package is recommended for new designs.

**TRUTH TABLE**

EN	SEL <sub>2</sub>	SEL <sub>1</sub>	SEL <sub>0</sub>	Q	QTTL
H	L	L	L	D <sub>0</sub>	D <sub>0</sub>
H	L	L	H	D <sub>1</sub>	D <sub>1</sub>
H	L	H	L	D <sub>2</sub>	D <sub>2</sub>
H	L	H	H	D <sub>3</sub>	D <sub>3</sub>
H	H	L	L	D <sub>4</sub>	D <sub>4</sub>
H	H	L	H	D <sub>5</sub>	D <sub>5</sub>
H	H	H	L	D <sub>6</sub>	D <sub>6</sub>
H	H	H	H	D <sub>7</sub>	D <sub>7</sub>
L	X	X	X	Z	Z

**PECL DC ELECTRICAL CHARACTERISTICS**

V<sub>CC</sub> = V<sub>CCO</sub> = V<sub>CC<sub>T</sub></sub> = 5.0V ± 5%; V<sub>EE</sub> = V<sub>GT</sub> = GND

Symbol	Parameter	Min.	Typ.	Max.	Unit	Condition
V <sub>OH</sub>	Output HIGH Voltage <sup>(1)</sup>	3.975	4.045	4.13	V	Loading with 25Ω to 3V (V <sub>CC</sub> -2V)
V <sub>OL</sub>	Output LOW Voltage <sup>(1)</sup>	3.17	3.295	3.38	V	Loading with 25Ω to 3V (V <sub>CC</sub> -2V)
V <sub>OZ</sub>	Cutoff Voltage <sup>(1)</sup>	—	3	3.10	V	Loading with 25Ω to 3V (V <sub>CC</sub> -2V)
V <sub>IH</sub>	Input HIGH Voltage	3.835	—	4.13	V	
V <sub>IL</sub>	Input LOW Voltage	3.17	—	3.525	V	
I <sub>IH</sub>	Input HIGH Current	—	—	350	μA	V <sub>IN</sub> = V <sub>IH</sub> (Max.)
I <sub>IL</sub>	Input LOW Current	0.50	—	—	μA	V <sub>IN</sub> = V <sub>IL</sub> (Min.)
I <sub>CC</sub>	V <sub>CC</sub> Supply Current	—	73	88	mA	

**Note:**

1. Levels shown are for V<sub>CCO</sub> = 5.0V and will vary 1:1 with powers.

**TTL DC ELECTRICAL CHARACTERISTICS**

V<sub>CC</sub> = V<sub>CCO</sub> = V<sub>CC<sub>T</sub></sub> = 5.0V ± 5%; V<sub>EE</sub> = V<sub>GT</sub> = GND

Symbol	Parameter	Min.	Typ.	Max.	Unit	Condition
V <sub>OH</sub>	Output HIGH Voltage	2.4	2.9	—	V	I <sub>OH</sub> = -3mA
V <sub>OL</sub>	Output LOW Voltage	—	0.3	0.5	V	I <sub>OL</sub> = 24mA
V <sub>IH</sub>	Input HIGH Voltage	2.0	—	V <sub>CC</sub>	V	
V <sub>IL</sub>	Input LOW Voltage	0	—	0.8	V	
I <sub>IH</sub>	Input HIGH Current	—	—	1.0	mA	V <sub>IN</sub> = 2.7V
I <sub>IL</sub>	Input LOW Current	-0.7	—	—	mA	V <sub>IN</sub> = 0.5V
V <sub>IK</sub>	Input Clamp Voltage	-1.2	—	—	V	I <sub>IN</sub> = -18mA
I <sub>OS</sub>	Output Short Circuit Current	-200	—	-60	mA	V <sub>OUT</sub> = 0V, V <sub>CC<sub>T</sub></sub> = 5.5V
I <sub>OZHT</sub>	Tri-state Current Output HIGH	—	—	70	μA	V <sub>OUT</sub> = 2.7V
I <sub>OZLT</sub>	Tri-state Current Output LOW	-700	—	—	μA	V <sub>OUT</sub> = 0.5V

## PECL AC ELECTRICAL CHARACTERISTICS

VCC = VCCO = +5.0V ± 5%; VEE = VGT = GND

Symbol	Parameter	TA = 0°C			TA = +25°C			TA = +85°C			Unit	Condition
		Min.	Typ.	Max.	Min.	Typ.	Max.	Min.	Typ.	Max.		
tPLH tPHL	Propagation Delay <sup>(1),(2)</sup> D to Q SEL0 to Q SEL1 to Q SEL2 to Q	500 300 300 300	— — — —	900 2000 1750 1500	500 300 300 300	— — — —	900 2000 1750 1500	500 300 300 300	— — — —	900 2000 1750 1500	ps	
tPZH tPHZ	EN to Q <sup>(3)</sup> (Cutoff to HIGH) EN to Q <sup>(3)</sup> 300 (HIGH to Cutoff)	300 —	— 1300	1750 300	300 —	— 1300	1750 300	300 —	— 1300	1750 —	ps	
tr tf	Output Rise/Fall Times <sup>(2)</sup> 20% to 80%	300	400	600	300	400	600	300	400	600	ps	

### Notes:

1. Part-to-part skew is defined as Max. – Min. value at the given temperature.
2. RL = 50Ω
3. Figures 1 and 2

## TTL AC ELECTRICAL CHARACTERISTICS

VCC = VCCO = 5V ± 5%; VEE = VGT = GND

Symbol	Parameter	TA = 0°C			TA = +25°C			TA = +85°C			Unit	Condition
		Min.	Typ.	Max.	Min.	Typ.	Max.	Min.	Typ.	Max.		
tPLH tPHL	Propagation Delay <sup>(1),(2)</sup> D to QTTL SEL0 to QTTL SEL1 to QTTL SEL2 to QTTL	2.5 2.5 2.5 2.5	— — — —	5.0 5.0 5.0 5.0	2.5 2.5 2.5 2.5	— — — —	5.0 5.0 5.0 5.0	2.5 2.5 2.5 2.5	— — — —	5.0 5.0 5.0 5.0	ns	
tPZH tPZL	EN to TTL Output <sup>(2)</sup> (Enable Time)	2.5 2.5	— —	5.0 5.0	2.5 2.5	— —	5.0 5.0	2.5 2.5	— —	5.0 5.0	ns	
tPHZ tPLZ	EN to TTL Output <sup>(2)</sup> (Disable Time)	2.5 2.5	— —	5.0 5.0	2.5 2.5	— —	5.0 5.0	2.5 2.5	— —	5.0 5.0	ns	
tr tf	Output Rise/Fall Time <sup>(3)</sup> 0.8V to 2.4V 0.8V to 2.0V	0.3	—	1.6	0.3	—	1.6	0.3	—	1.6	ns	

### Notes:

1. Part-to-part skew is defined as Max. – Min. value at the given temperature.
2. Figures 3 and 4
3. CL = 25pF

**PECL-TO-PECL TEST CIRCUITRY**

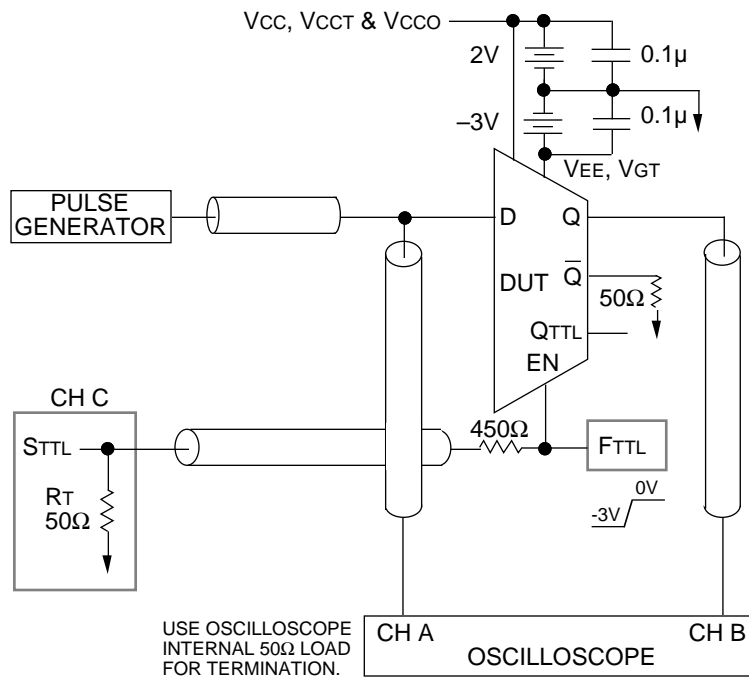


Figure 1. PECL-to-PECL AC Test Circuit

**PECL-TO-PECL SWITCHING WAVEFORMS**

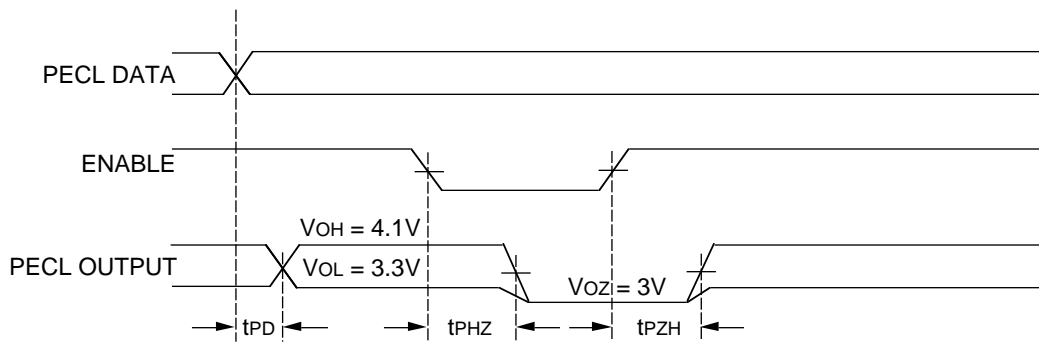


Figure 2. PECL-to-PECL Transition — Propagation Delay and Transition Times

**PECL-TO-TTL TEST CIRCUITRY**

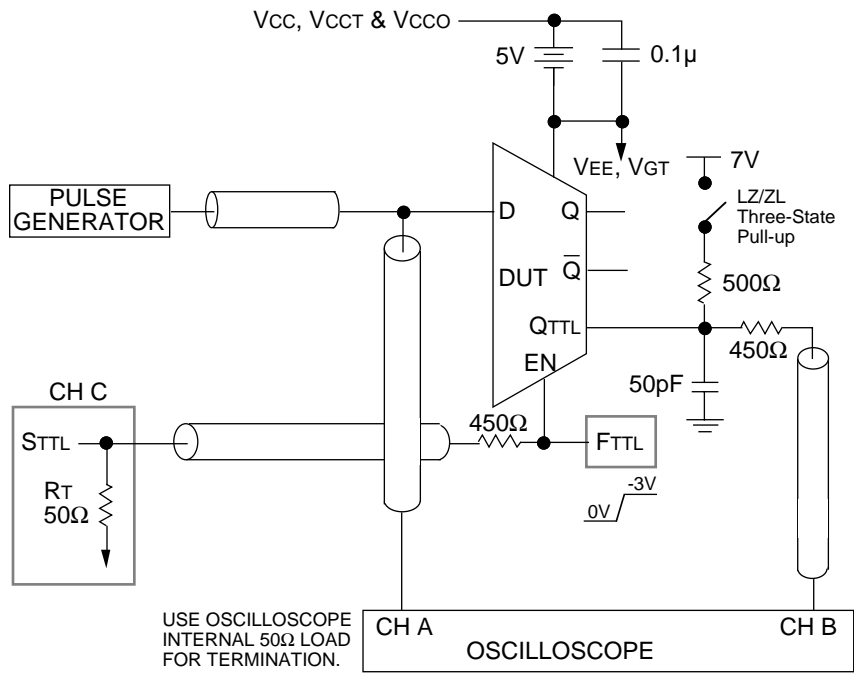
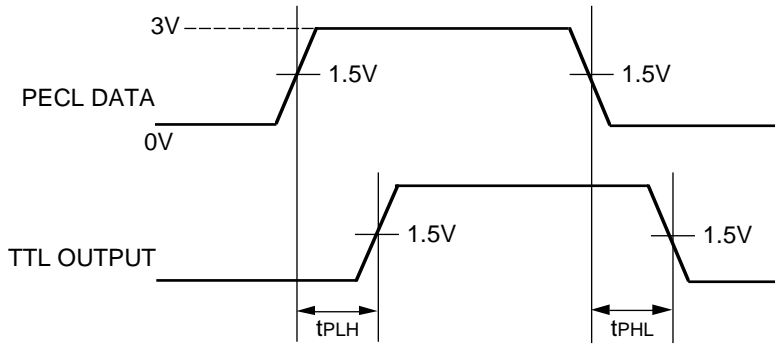
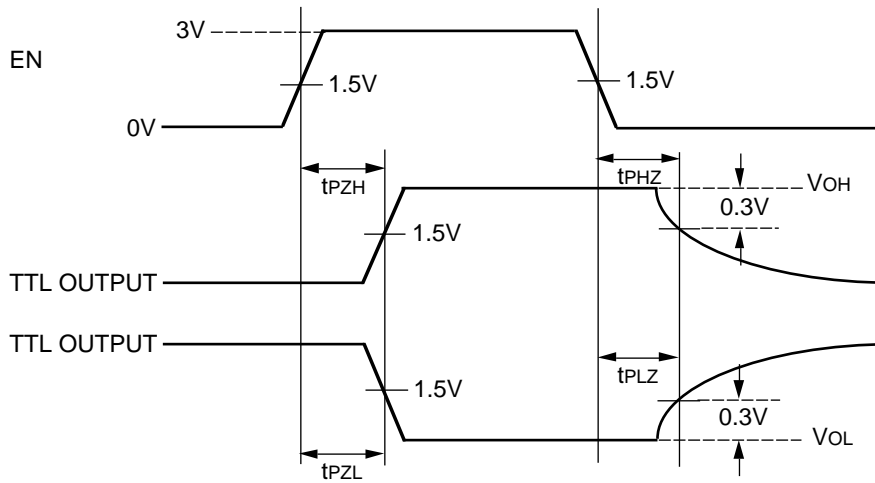


Figure 3. PECL-to-TTL AC Test Circuit

**PECL-TO-TTL SWITCHING WAVEFORMS**

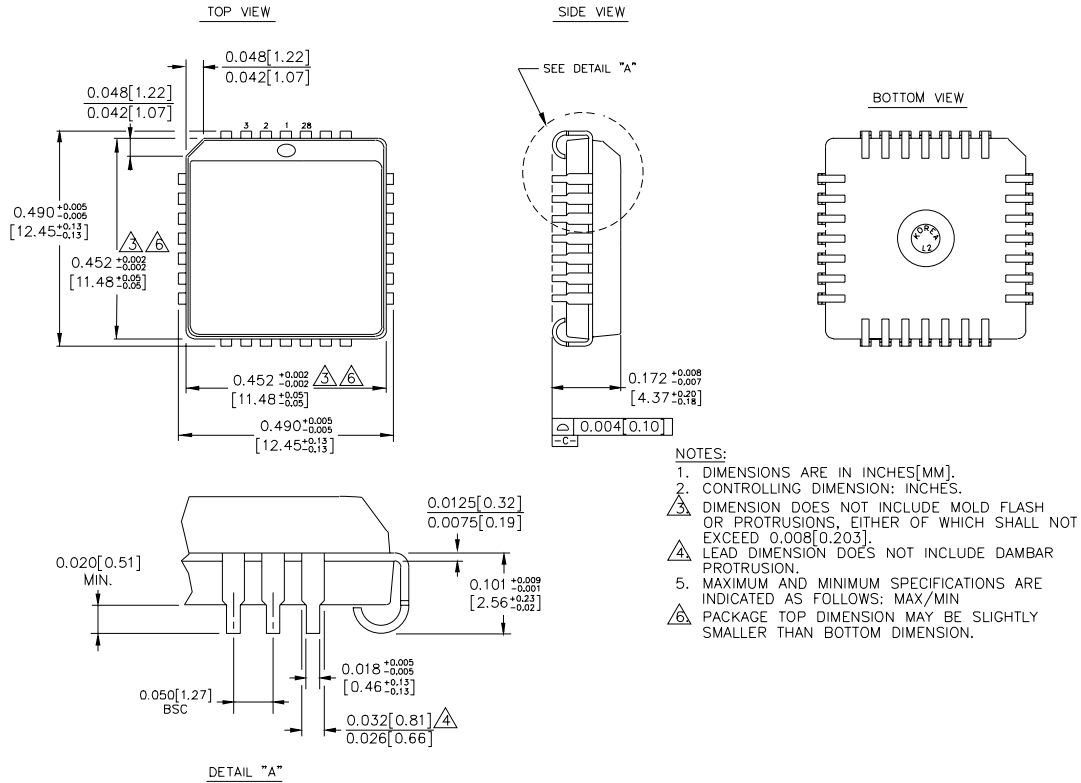


**Figure 4a. PECL-to-TTL Transition, Data to TTL Output Delay**



**Figure 4b. EN to TTL Output Enable and Disable Times**

**28-PIN PLCC (J28-1)**



Rev. 03

**MICREL, INC. 2180 FORTUNE DRIVE SAN JOSE, CA 95131 USA**

TEL + 1 (408) 944-0800 FAX + 1 (408) 474-1000 WEB <http://www.micrel.com>

The information furnished by Micrel in this datasheet is believed to be accurate and reliable. However, no responsibility is assumed by Micrel for its use. Micrel reserves the right to change circuitry and specifications at any time without notification to the customer.

Micrel Products are not designed or authorized for use as components in life support appliances, devices or systems where malfunction of a product can reasonably be expected to result in personal injury. Life support devices or systems are devices or systems that (a) are intended for surgical implant into the body or (b) support or sustain life, and whose failure to perform can be reasonably expected to result in a significant injury to the user. A Purchaser's use or sale of Micrel Products for use in life support appliances, devices or systems is at Purchaser's own risk and Purchaser agrees to fully indemnify Micrel for any damages resulting from such use or sale.

© 2006 Micrel, Incorporated.