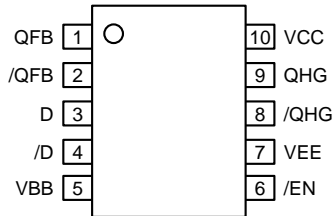


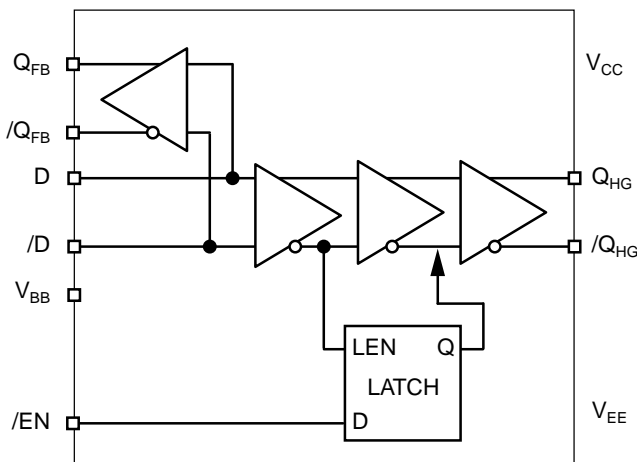
FEATURES

- 3.3V and 5V $\pm 10\%$ power supply options
- Guaranteed AC parameters over temperature:
 - $f_{MAX} = 800\text{MHz}$
 - $< 200\text{ps}$ differential propagation delay (D to Q_{FB})
 - $< 730\text{ps}$ differential propagation delay (D to Q_{HG})
 - $< 250\text{ps}$ t_r / t_f
- Low gain feedback path $Q_{FB} = +10\text{V/V}$
- Output enable
- V_{BB} reference output voltage
- Wide temperature range: -40°C to $+85^\circ\text{C}$
- Available in 10-pin (3x3mm) MSOP

PIN CONFIGURATION



BLOCK DIAGRAM



DESCRIPTION

The SY100EL16VO is a differential receiver amplifier optimized for crystal oscillator applications. The device includes an additional low gain (+10V/V) output stage (Q_{FB}) ideal for feedback applications common in crystal oscillator gain blocks. The SY100EL16VO is fully differential, with a bandwidth $> 800\text{MHz}$ over temperature and voltage. For applications that require output disable control, an Enable pin ($/EN$) will force the differential output into a fixed logic state. The SY100EL16VO also includes a V_{BB} reference voltage for single-ended or AC-coupled applications.

The SY100EL16VO PECL logic is 100k ECL compatible. Operation is guaranteed over the -40°C to $+85^\circ\text{C}$ temperature range and 3.3V to 5V nominal supply voltage range.

TRUTH TABLE

| $/EN$ | QHG Out | $/QHG$ Out |
|-------|-----------|------------|
| 0 | Data | $/Data$ |
| 1 | Logic Low | Logic High |

PIN NAMES

| Pin | Function |
|-------------------|--|
| $Q_{FB}, /Q_{FB}$ | Differential clock outputs for feedback path: Nominal DC gain +10. |
| D, $/D$ | PECL, LVPECL, ECL, LVECL differential inputs: Internal 75kΩ pull-down resistor. |
| V_{BB} | $V_{CC} - 1.32\text{V}$ reference voltage for single-ended inputs: It provides the switching reference for the input differential amplifier. When unused, it can be left open. For single-ended PECL applications connect V_{BB} to $/D$ input, and bypass with a 0.01μF capacitor to V_{CC} . |
| $/EN$ | Enable: PECL compatible input control with internal 75kΩ pull-down resistor. It controls the high-gain output (Q_{HG}). When HIGH, Q_{HG} is low and $/Q_{HG}$ is high. $/EN$ is synchronous so that the outputs will only be enabled/disabled when they are in the LOW state. |
| V_{EE} | Negative power supply: For ECL/LVECL operation, connect to negative supply. For PECL/ LVPECL operation, connect to GND. |
| $Q_{HG}, /Q_{HG}$ | Differential high-gain outputs: Nominal DC gain is greater than +200. |
| V_{CC} | Positive power supply: For ECL/LVECL operation, connect to $V_{CC} = 0\text{V}$. For PECL/ LVPECL operation, connect to either 3.3V or 5.0V. Bypass with 0.1μF//0.01μF low ESR capacitors. |

ABSOLUTE MAXIMUM RATINGS⁽¹⁾

| Symbol | Rating | Value | Unit |
|-------------------|---|---------------------|------|
| $V_{CC} - V_{EE}$ | Power Supply Voltage | +6.0 | V |
| V_{IN} | PECL Input Voltage | 0 to $V_{CC} + 0.5$ | V |
| V_{OUT} | Voltage Applied to Output at High State ($V_{EE} = 0V$) | -0.5 to +5.5 | V |
| I_{OUT} | Output Current -Continuous -Surge | 50 100 | mA |
| T_A | Operating Temperature Range | -40 to +85 | °C |
| T_{store} | Storage Temperature Range | -65 to +150 | °C |
| θ_{JA} | Package Thermal Resistance (Junction-to-Ambient) -Still-Air -500lfpm | 113 96 | °C/W |
| θ_{JC} | Package Thermal Resistance (Junction-to-Case) | 42 | °C/W |

NOTE:

- Permanent device damage may occur if ABSOLUTE MAXIMUM RATINGS are exceeded. This is a stress rating only and functional operation is not implied at conditions other than those detailed in the operational sections of this data sheet. Exposure to ABSOLUTE MAXIMUM RATING conditions for extended periods may affect device reliability.

DC ELECTRICAL CHARACTERISTICS

| Symbol | Parameter | $T_A = -40^\circ\text{C}$ | | | $T_A = +25^\circ\text{C}$ | | | $T_A = +85^\circ\text{C}$ | | | Unit | Condition |
|----------|--------------------------------|---------------------------|---------------|---------------|---------------------------|---------------|---------------|---------------------------|---------------|---------------|---------------|-------------------------------|
| | | Min. | Typ. | Max. | Min. | Typ. | Max. | Min. | Typ. | Max. | | |
| V_{CC} | Power Supply Voltage (PECL) | 4.5 | 5.0 | 5.5 | 4.5 | 5.0 | 5.5 | 4.5 | 5.0 | 5.5 | V | $V_{EE} = \text{GND}$ |
| | (LVPECL) | 3.0 | 3.3 | 3.8 | 3.0 | 3.3 | 3.8 | 3.0 | 3.3 | 3.8 | | |
| | (ECL) (LVECL) | -5.5 -3.8 | -5.0 -3.3 | -4.5 -3.0 | -5.5 -3.8 | -5.0 -3.3 | -4.5 -3.0 | -5.5 -3.8 | -5.0 -3.3 | -4.5 -3.0 | V | $V_{CC} = \text{GND}$ |
| I_{CC} | Power Supply Current | — | — | 46 | — | — | 46 | — | — | 46 | mA | $V_{CC} = 5.5V$ |
| V_{BB} | Reference Voltage | $V_{CC}-1.26$ | $V_{CC}-1.32$ | $V_{CC}-1.38$ | $V_{CC}-1.26$ | $V_{CC}-1.32$ | $V_{CC}-1.38$ | $V_{CC}-1.26$ | $V_{CC}-1.32$ | $V_{CC}-1.38$ | V | |
| I_{IH} | Input HIGH Current | — | — | 150 | — | — | 150 | — | — | 150 | μA | $V_{IN} = V_{IH}(\text{Max})$ |
| I_{IL} | Input LOW Current | 0.5 | — | — | 0.5 | — | — | 0.5 | — | — | μA | $V_{IN} = V_{IL}(\text{Min})$ |
| C_{IN} | Input Capacitance | — | — | — | — | 0.75 | — | — | — | — | pF | |

100K 5V PECL DC ELECTRICAL CHARACTERISTICS $V_{CC} = 5.0V \pm 10\%$; $V_{EE} = GND$

| Symbol | Parameter | $T_A = -40^\circ C$ | | | $T_A = +25^\circ C$ | | | $T_A = +85^\circ C$ | | | Unit | Condition |
|-------------|--|---------------------|-------|----------------|---------------------|-------|----------------|---------------------|-------|----------------|------|----------------------|
| | | Min. | Typ. | Max. | Min. | Typ. | Max. | Min. | Typ. | Max. | | |
| V_{OH} | Output High Voltage ⁽¹⁾ | 3.915 | 4.005 | 4.120 | 3.975 | 4.005 | 4.12 | 3.975 | 4.005 | 4.12 | V | 50Ω to $V_{CC} - 2V$ |
| V_{OL} | Output Low Voltage ⁽¹⁾ | 3.170 | 3.305 | 3.445 | 3.190 | 3.295 | 3.380 | 3.190 | 3.295 | 3.380 | V | 50Ω to $V_{CC} - 2V$ |
| V_{IH} | Input HIGH Voltage ⁽¹⁾ | 3.835 | — | 4.120 | 3.835 | — | 4.120 | 3.835 | — | 4.120 | V | |
| V_{IL} | Input LOW Voltage ⁽¹⁾ | 3.525 | — | 3.819 | 3.525 | — | 3.819 | 3.525 | — | 3.819 | V | |
| V_{IHCMR} | Input High Voltage ⁽²⁾ Common Mode Range | 2.0 | — | $V_{CC} - 0.8$ | 2.0 | — | $V_{CC} - 0.8$ | 2.0 | — | $V_{CC} - 0.8$ | V | |

NOTES:

1. Input and output parameters are at $V_{CC} = +5.0V$. Level specifications will vary 1:1 with V_{CC} .
2. V_{IHCMR} is referenced to the most positive side of the differential input signal.

100K 3V PECL DC ELECTRICAL CHARACTERISTICS $V_{CC} = 3.3V \pm 10\%$; $V_{EE} = GND$

| Symbol | Parameter | $T_A = -40^\circ C$ | | | $T_A = +25^\circ C$ | | | $T_A = +85^\circ C$ | | | Unit | Condition |
|-------------|--|---------------------|------|----------------|---------------------|-------|----------------|---------------------|-------|----------------|------|----------------------|
| | | Min. | Typ. | Max. | Min. | Typ. | Max. | Min. | Typ. | Max. | | |
| V_{OH} | Output High Voltage ⁽¹⁾ | 2.215 | — | 2.42 | 2.275 | 2.305 | 2.42 | 2.275 | 2.305 | 2.42 | V | 50Ω to $V_{CC} - 2V$ |
| V_{OL} | Output Low Voltage ⁽¹⁾ | 1.470 | — | 1.745 | 1.490 | 1.595 | 1.680 | 1.490 | 1.595 | 1.680 | V | 50Ω to $V_{CC} - 2V$ |
| V_{IH} | Input HIGH Voltage ⁽¹⁾ | 2.135 | — | 2.420 | 2.135 | — | 2.420 | 2.135 | — | 2.420 | V | |
| V_{IL} | Input LOW Voltage ⁽¹⁾ | 1.490 | — | 1.825 | 1.490 | — | 1.825 | 1.490 | — | 1.825 | V | |
| V_{IHCMR} | Input High Voltage ⁽²⁾ Common Mode Range | 2.0 | — | $V_{CC} - 0.8$ | 2.0 | — | $V_{CC} - 0.8$ | 2.0 | — | $V_{CC} - 0.8$ | V | |

NOTES:

1. Input and output parameters are at $V_{CC} = +3.3V$. Level specifications will vary 1:1 with V_{CC} .
2. V_{IHCMR} is referenced to the most positive side of the differential input signal.

100K ECL/LVECL DC ELECTRICAL CHARACTERISTICS $V_{EE} = -3.0V$ to $-5.5V$; $V_{CC} = GND$

| Symbol | Parameter | $T_A = -40^\circ C$ | | | $T_A = +25^\circ C$ | | | $T_A = +85^\circ C$ | | | Unit | Condition |
|-------------|--|---------------------|--------|--------|---------------------|--------|--------|---------------------|--------|--------|------|----------------------|
| | | Min. | Typ. | Max. | Min. | Typ. | Max. | Min. | Typ. | Max. | | |
| V_{OH} | Output High Voltage | -1.085 | -1.005 | -0.880 | -1.025 | -0.955 | -0.880 | -1.025 | -0.955 | -0.880 | V | 50Ω to $V_{CC} - 2V$ |
| V_{OL} | Output Low Voltage | -1.830 | -1.695 | -1.555 | -1.810 | -1.705 | -1.620 | -1.810 | -1.705 | -1.620 | V | 50Ω to $V_{CC} - 2V$ |
| V_{IH} | Input HIGH Voltage | -1.165 | — | -0.880 | -1.165 | — | -0.880 | -1.165 | — | -0.880 | V | |
| V_{IL} | Input LOW Voltage | -1.181 | — | -1.475 | -1.181 | — | -1.475 | -1.181 | — | -1.475 | V | |
| V_{IHCMR} | Input High Voltage Common Mode Range ⁽¹⁾ | $V_{EE} + 2.0$ | — | -0.8 | $V_{EE} + 2.0$ | — | -0.8 | $V_{EE} + 2.0$ | — | -0.8 | V | |

NOTE:

1. V_{IHCMR} is referenced to the most positive side of the differential input signal.

AC ELECTRICAL CHARACTERISTICS

$V_{CC} = 3.0$ to $5.5V$; $V_{EE} = GND$; $V_{EE} = -3.0$ to $-5.5V$; $V_{CC} = GND$

| Symbol | Parameter | $T_A = -40^\circ C$ | | | $T_A = +25^\circ C$ | | | $T_A = +85^\circ C$ | | | Unit | Condition |
|------------------------|--|---------------------|------|------|---------------------|------|------|---------------------|------|------|------|------------|
| | | Min. | Typ. | Max. | Min. | Typ. | Max. | Min. | Typ. | Max. | | |
| f_{MAX} | Maximum Frequency | 800 | — | — | 800 | — | — | 800 | — | — | MHz | |
| t_{PLH} t_{PHL} | Propagation Delay to $Q_{FB}, /Q_{FB}$ (Diff.) (Single) | — | — | 200 | — | — | 200 | — | — | 200 | ps | |
| | to $Q_{HG}, /Q_{HG}$ (Diff.) (Single) | — | — | 650 | — | — | 650 | — | — | 730 | ps | |
| | | — | — | 700 | — | — | 700 | — | — | 780 | ps | |
| t_S | Set-Up Time ⁽¹⁾ | 150 | — | — | 150 | — | — | 150 | — | — | ps | Enable Pin |
| t_H | Hold Time ⁽¹⁾ | 150 | — | — | 150 | — | — | 150 | — | — | ps | Enable Pin |
| t_{JITTER} | Cycle-to-Cycle Jitter | — | 0.2 | — | — | 0.2 | — | — | 0.2 | — | ps | RMS |
| t_{SKEW} | Duty Cycle Skew ⁽²⁾ | — | 5 | 20 | — | 5 | 20 | — | 5 | 20 | ps | |
| V_{PP} | Minimum Input Swing ⁽³⁾ | 150 | — | — | 150 | — | — | 150 | — | — | mV | |
| t_r t_f | Output Rise/Fall Times (20% to 80%) | — | — | 250 | — | — | 250 | — | — | 250 | ps | |

NOTES:

1. See "Timing Waveform."
2. Duty cycle skew is the difference between t_{PLH} and t_{PHL} propagation delay through the device.
3. The device has a DC gain of 10 for Q, /Q outputs, and DC gain of 200 or higher for $Q_{HG}, /Q_{HG}$. See "Timing Waveform" minimum input swing.

TIMING WAVEFORMS

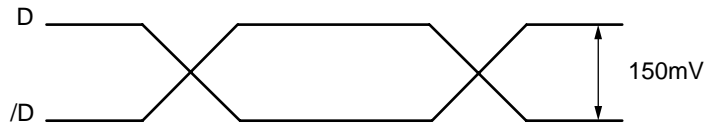


Figure 1. Minimum Input Swing

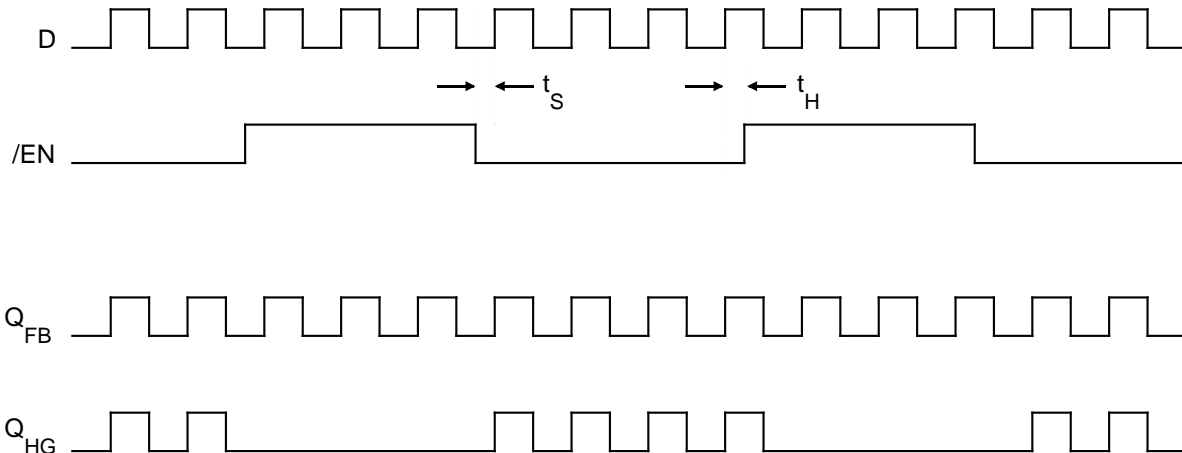


Figure 2. Set-Up and Hold Timing

TERMINATION RECOMMENDATIONS

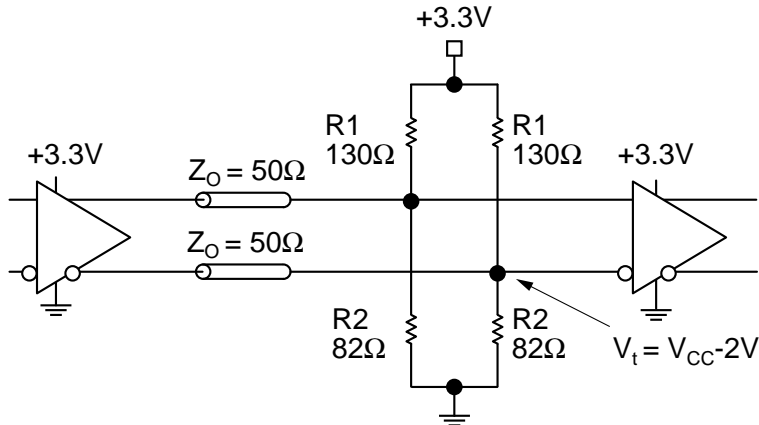


Figure 3. Parallel Termination-Thevenin Equivalent

NOTES:

- 1. For +5V systems:
 R1 = 82Ω
 R2 = 130Ω

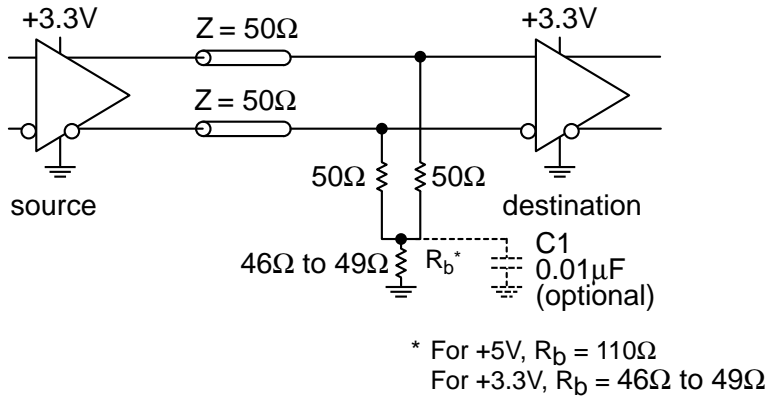


Figure 4. Three-Resistor "Y-Termination"

NOTES:

- 1. Power-saving alternative to 4-resistor, Thevenin termination.
- 2. Place termination resistors as close to destination inputs as possible.
- 3. R_b resistor sets the DC bias voltage, equal to V_t. For +5V, R_b = 100Ω

PRODUCT ORDERING CODE

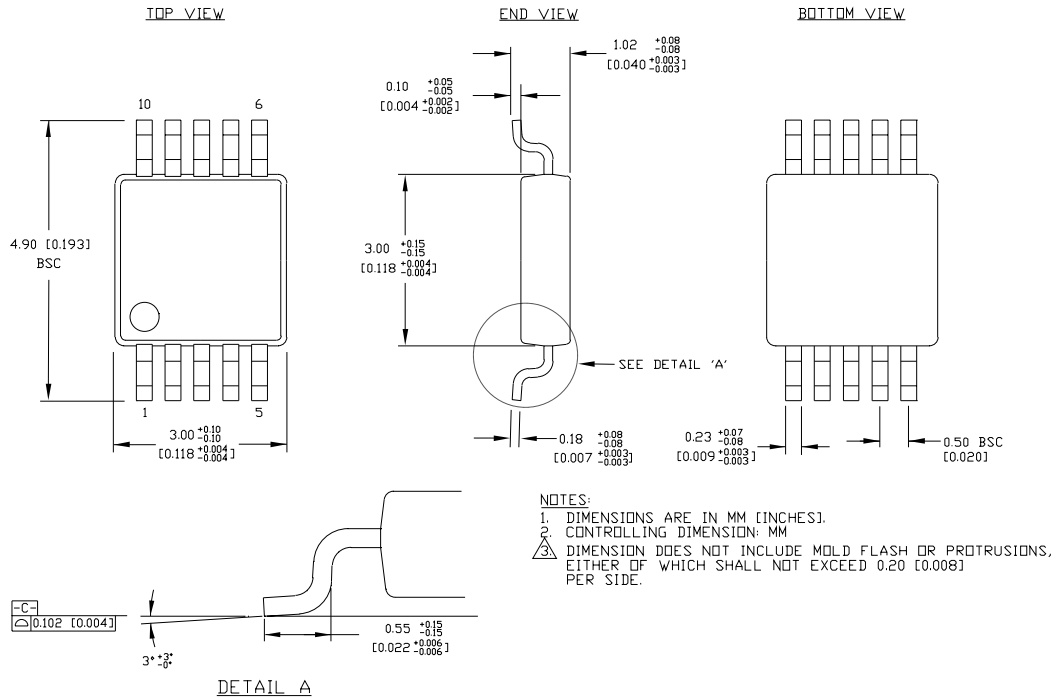
| Ordering Code | Package Type | Operating Range | Marking Code |
|------------------|--------------|-----------------|--------------|
| SY100EL16VOKC | K10-1 | Commercial | X16VO |
| SY100EL16VOKCTR* | K10-1 | Commercial | X16VO |

| Ordering Code | Package Type | Operating Range | Marking Code |
|---------------------------------|--------------|-----------------|--------------|
| SY100EL16VOKI ⁽¹⁾ | K10-1 | Industrial | X16VO |
| SY100EL16VOKITR ^{*(1)} | K10-1 | Industrial | X16VO |

*Tape and Reel

Note 1. Recommended for new designs.

10 LEAD MSOP (K10-1)



Rev. 00

MICREL, INC. 1849 FORTUNE DRIVE SAN JOSE, CA 95131 USA

TEL + 1 (408) 944-0800 FAX + 1 (408) 944-0970 WEB <http://www.micrel.com>

The information furnished by Micrel in this datasheet is believed to be accurate and reliable. However, no responsibility is assumed by Micrel for its use. Micrel reserves the right to change circuitry and specifications at any time without notification to the customer.

Micrel Products are not designed or authorized for use as components in life support appliances, devices or systems where malfunction of a product can reasonably be expected to result in personal injury. Life support devices or systems are devices or systems that (a) are intended for surgical implant into the body or (b) support or sustain life, and whose failure to perform can be reasonably expected to result in a significant injury to the user. A Purchaser's use or sale of Micrel Products for use in life support appliances, devices or systems is at Purchaser's own risk and Purchaser agrees to fully indemnify Micrel for any damages resulting from such use or sale.

© 2003 Micrel, Incorporated.