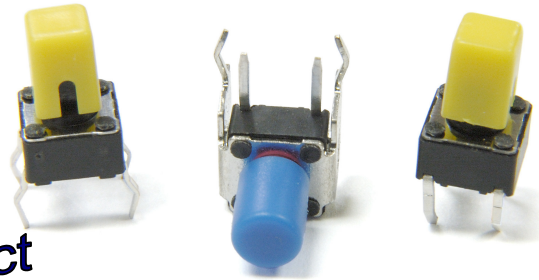


Model SWT8
Tactile Switches
6.2X6.2 mm
Square Stem
Cap available
RoHS Compliant

New Product



MODELS AVAILABLE

Side Actuation, Through Hole	SWT8-R
Top Actuation, Through Hole	SWT8-V
Top Actuation, SMD	SWT8-M
Cap for Square Stem 2.4 x 2.4 mm	SWT8-C

ELECTRICAL

Contact Resistance	100 mΩ
Current Rating	DC 12V, 50 mA
Insulation Resistance	100 MΩ min
Dielectric Strength	AC 250V

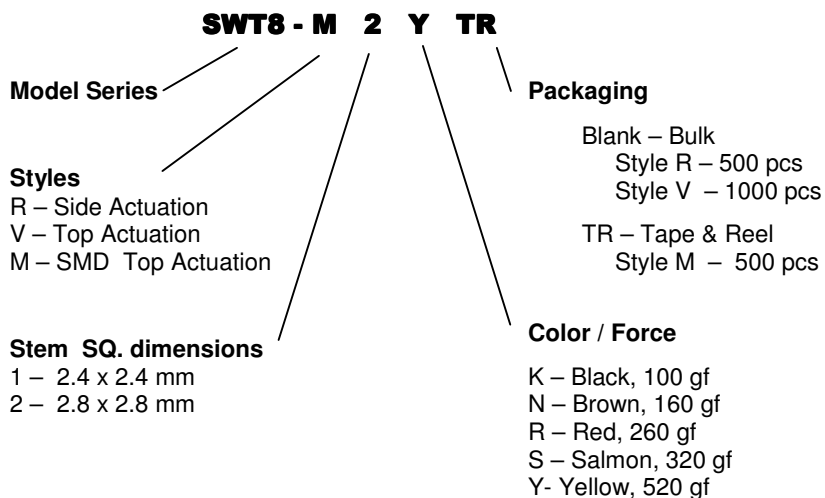
ENVIRONMENTAL

Life, Mechanical	1,000,000 cycles : 100 & 160gf 500,000 cycles : 260gf 300,000 cycles : 320 & 520gf
Operating Temperature Range	-25°C – 70°C.
Storage Temperature	-30°C – 80°C
Shock	Mil-STD-202F, Method 213B Condition A
Vibration	Mil-STD-202F, Method 201A
Operating Force Range (refer to definition table below)	100 gf – 520 gf

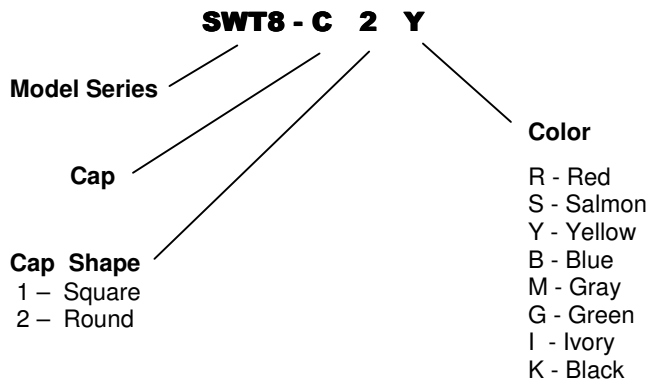
Model SWT8

ORDERING INFORMATION

Tactile Switch only



Cap for Tactile Switch



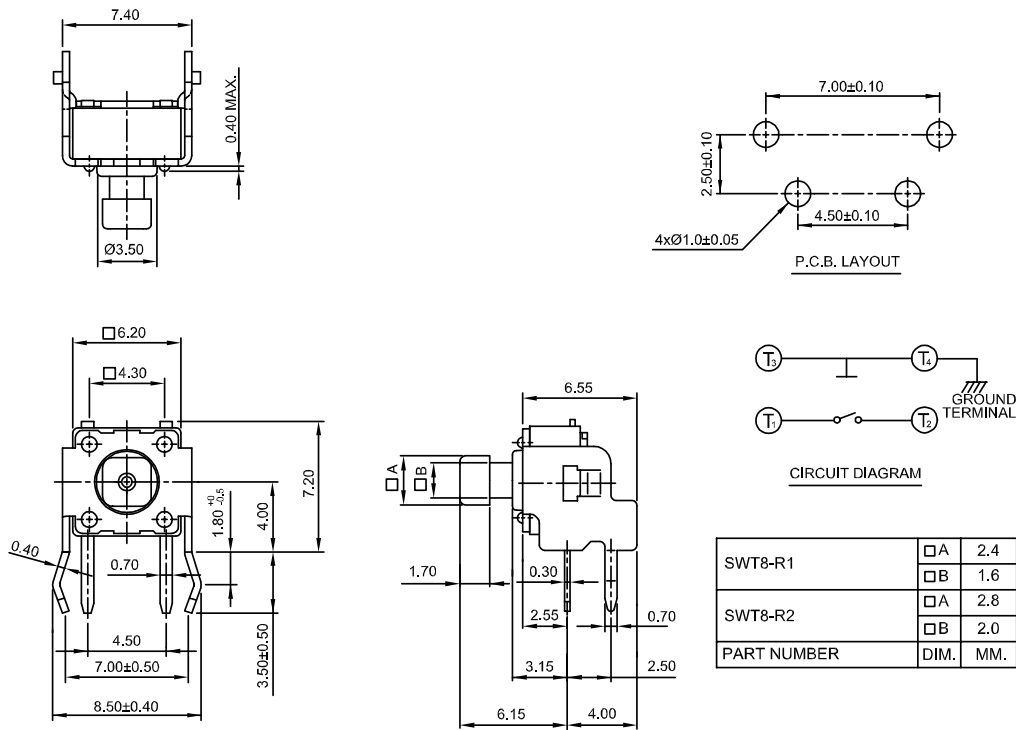
Packaging 1500 pcs / bag

NOTE: Tactile Switch and Cap are ordered separately.

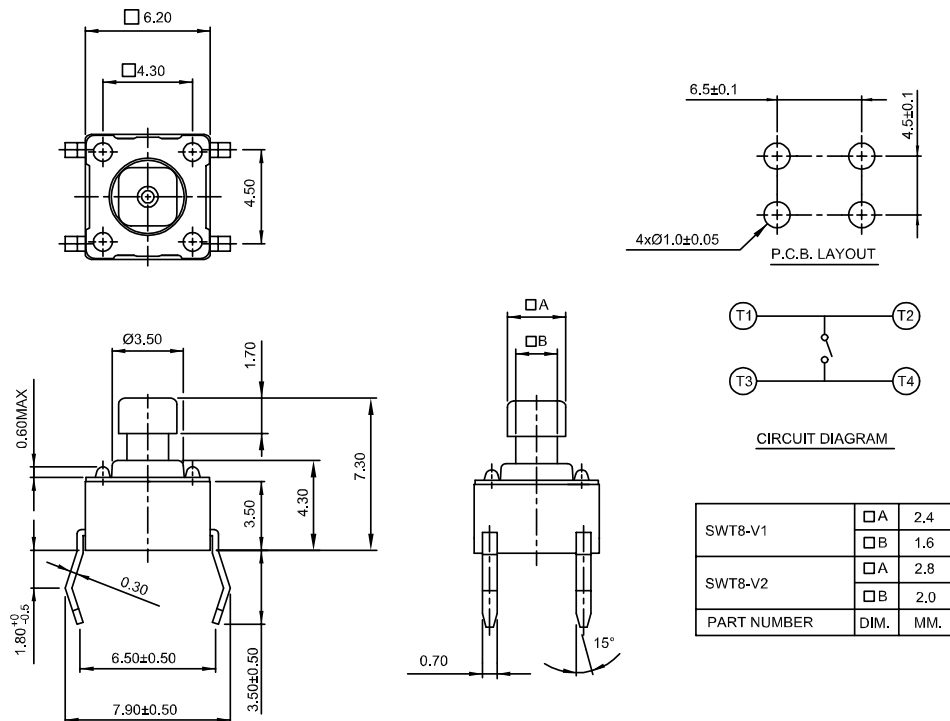
Model SWT8

OUTLINE DRAWINGS

SWT8-R (Side Actuation, Through Hole)

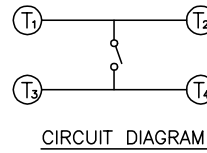
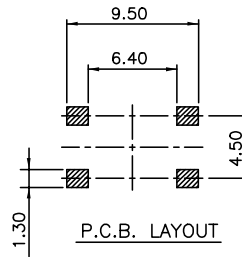
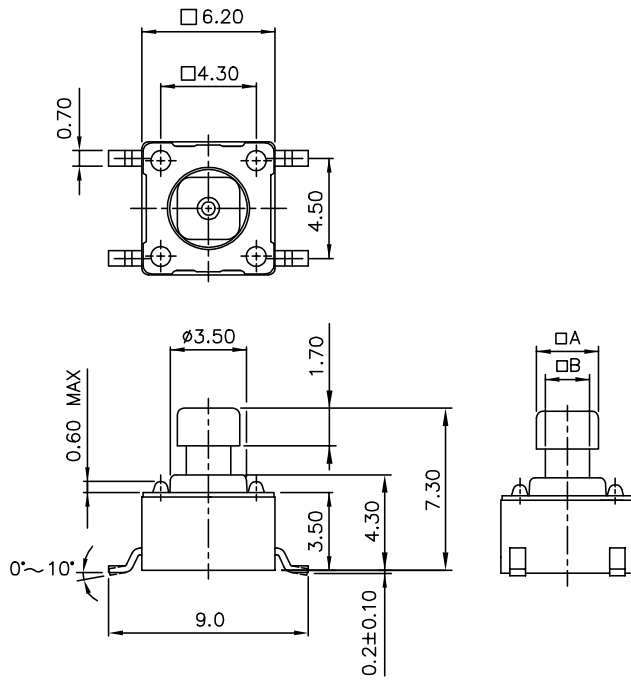


SWT8-V (Top Actuation, Through Hole)



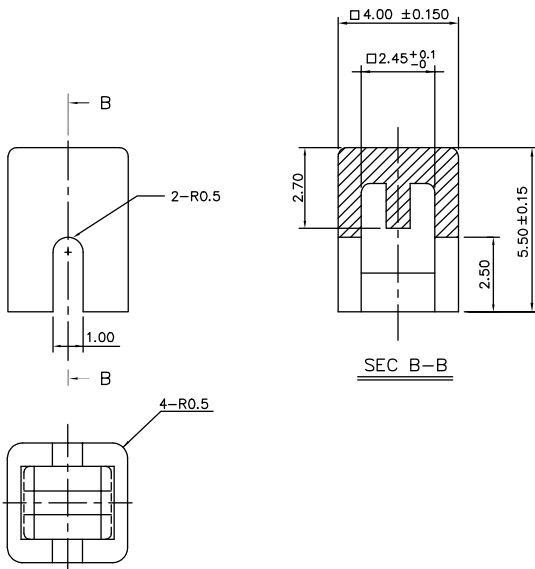
Model SWT8

SWT8-M (Top Actuation, SMD)



PART NUMBER	DIM.	MM.
SWT8-M1	□A	2.4
	□B	1.6
SWT8-M2	□A	2.8
	□B	2.0

SWT8-C1 (Square Cap)



SWT8-C2 (Round Cap)

