



# STPAC01F1

IPAD™

## RF DETECTOR FOR POWER AMPLIFIER CONTROL

### MAIN PRODUCT CHARACTERISTICS

The STPAC01F1 has two outputs, one for the signal detection and another one for the temperature compensation:

- $V_{DCout} = 0.88\text{ V}$  at 0.85 GHz at 10 dBm
- $V_{DCout} = 1.07\text{ V}$  at 1.85 GHz at 10 dBm
- $V_{supply} = 5\text{ V}$  max.

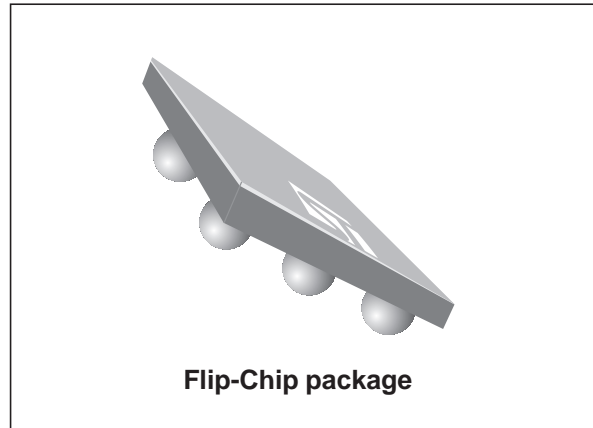
### DESCRIPTION

The STPAC01 is an integrated RF detector for the power control stage. It converts RF signal coming from the coupler into a DC signal usable by the digital stage. It is based on the use of two similar diodes, one providing the signal detection while the second one is used to provide a temperature information to thermal compensation stage. A biasing stage suppresses the detection diode drop voltage effect.

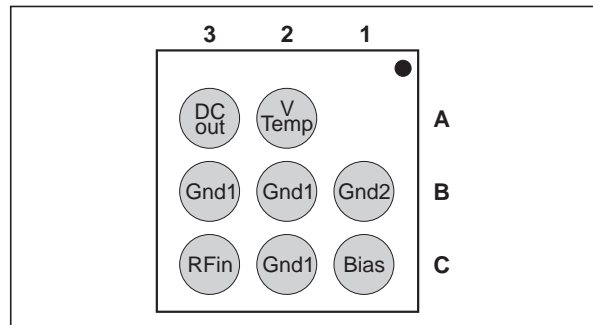
Target applications are cellular phones and PDA using GSM, DCS, PCS, AMPS, TDMA, CDMA and 800MHz to 1900MHz frequency ranges

### BENEFITS

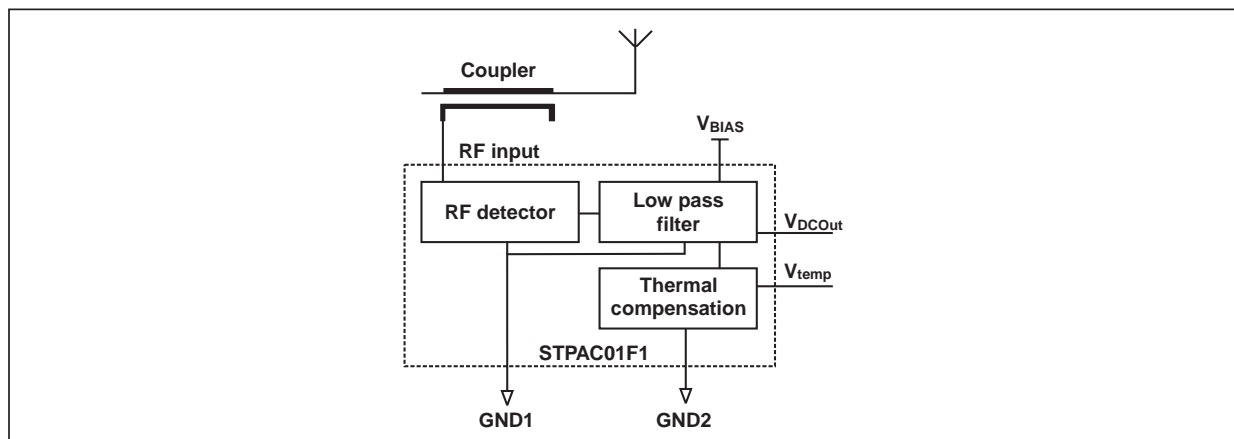
- The use of IPAD technology allows the RF front-end designer to save PCB area and to drastically suppress parasitic inductances.



### PIN CONFIGURATION (ball side)



### FUNCTIONAL DIAGRAM



™ : IPAD is a trademark of STMicroelectronics.

## STPAC01F1

### ABSOLUTE RATINGS (T<sub>amb</sub> = 25°C)

Symbol	Parameter and test conditions	Value	Unit
V <sub>BIAS</sub>	Bias voltage	5	V
P <sub>RF</sub>	RF power at the RF input	20	dBm
F <sub>OP</sub>	Operating frequency range	0.8 to 2	GHz
V <sub>PP</sub>	ESD level as per MIL-STD 883E method 3015.7 notice 8 (HBM)	100	V
T <sub>OP</sub>	Operating temperature range	-30 to +85	°C
T <sub>STG</sub>	Storage temperature range	-55 to 150	°C

### ELECTRICAL CHARACTERISTICS (T<sub>amb</sub> = 25°C)

#### PARAMETERS RELATED TO BIAS VOLTAGE

Symbol	Parameter	Test conditions	Min.	Typ.	Max.	Unit
V <sub>BIAS</sub>	Operating bias voltage		2.2		3.2	V
I <sub>BIAS</sub>	Bias current	V <sub>BIAS</sub> = 3.2 V			0.5	mA

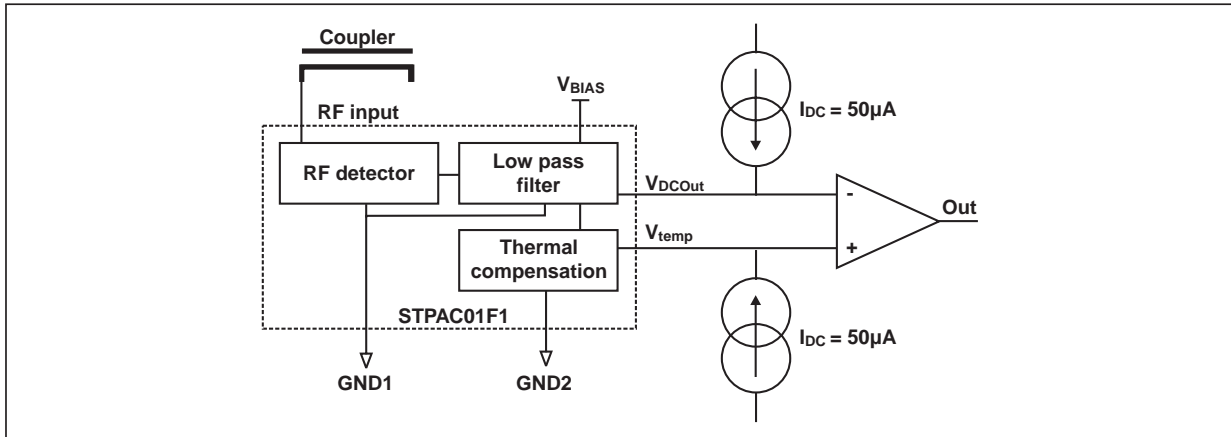
#### PARAMETERS RELATED TO DETECTION FUNCTION (V<sub>BIAS</sub> = 2.7 V, DC output load = 100 kΩ)

Symbol	Parameter	Test conditions	Min.	Typ.	Max.	Unit
V <sub>DCout</sub>	DC output voltage (see fig. 1, I <sub>DC</sub> = 50μA)	F = 1.85 GHz, P <sub>RF</sub> = 10 dBm	0.97	1.07	1.17	V
		F = 1.85 GHz, P <sub>RF</sub> = -20 dBm	1.83	1.93	2.03	
		F = 0.85 GHz, P <sub>RF</sub> = 10 dBm	0.78	0.88	0.98	
		F = 0.85 GHz, P <sub>RF</sub> = -20 dBm	1.83	1.93	2.03	
ΔV <sub>DCout</sub>	DC output voltage variation (see fig. 5, I <sub>DC</sub> = 50μA)	0 < T <sub>amb</sub> < 70°C, F = 1.85 GHz, P <sub>RF</sub> = 10 dBm		0.09		V
		2.2 < V <sub>BIAS</sub> < 3.2 V, F = 1.85 GHz, P <sub>RF</sub> = 10 dBm		0.44		

#### PARAMETERS RELATED TO TEMPERATURE FUNCTION

Symbol	Parameter	Test conditions	Min.	Typ.	Max.	Unit
V <sub>Temp</sub>	Temperature output voltage (see fig. 6)	I <sub>DC</sub> = 50μA	1.83	1.93	2.03	V
ΔV <sub>Temp</sub>	Temperature output voltage variation (see fig. 6)	I <sub>DC</sub> = 50μA, 0 < T <sub>amb</sub> < 70 °C		0.09		V
		I <sub>DC</sub> = 50μA, 2.2 < V <sub>BIAS</sub> < 3.2 V		0.44		

APPLICATION DIAGRAM



The STPAC01 is the first part of the power amplifier stage and provides both RF power and die temperature measurements. The above figure gives the basic circuit of RF detector.

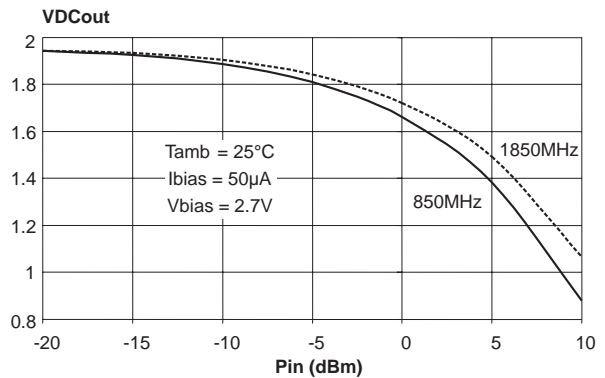
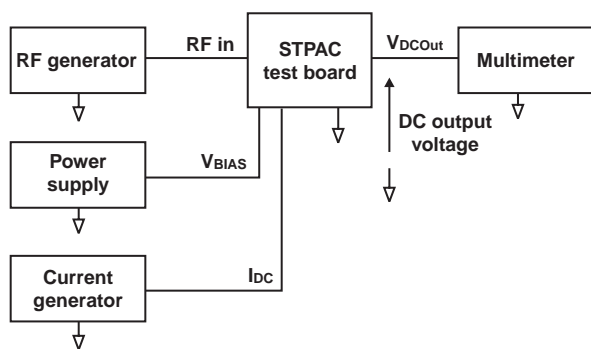
A coupler located on the line between RF amplifier output and the antenna takes a part of the available power and applies it to STPAC01 RF input.

The RF detector and the low pass filter provide a DC voltage depending on the input power. Thermal compensation provides a DC voltage depending on the ambient temperature. As the detection system and the thermal compensation are based on the same topology, VDCout will have the same temperature variation as Vtemp. Connected to a differential amplifier, the output will be a voltage directly linked to the RF input power. VDCout and Vtemp must be bias with 50µA DC current.

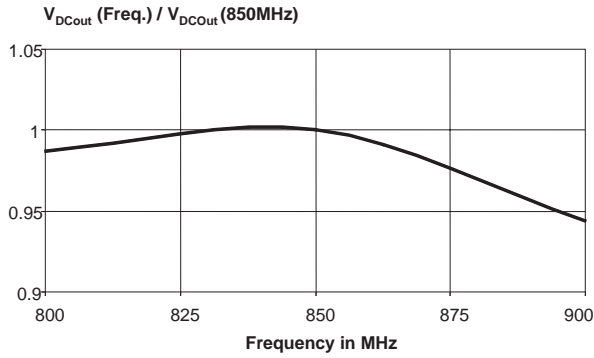
This topology offers the most accurate output value as it is 100% compensated.

Fig. 1: VDCout measurement circuit.

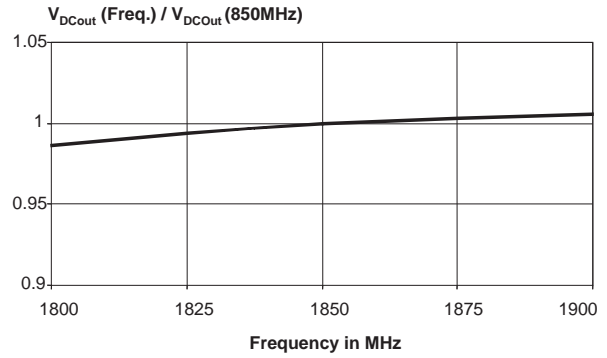
Fig. 2: VDCout versus RF input power.



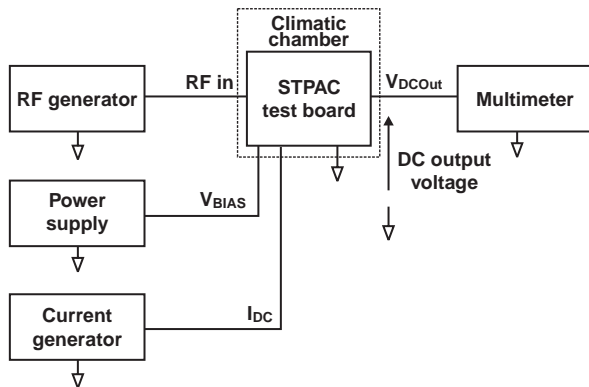
**Fig. 3:** Relative variation of  $V_{DCout}$  versus frequency (from 800 to 900 MHz).



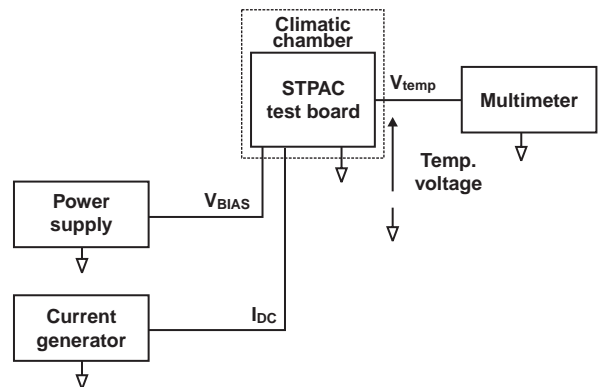
**Fig. 4:** Relative variation of  $V_{DCout}$  versus frequency (from 1800 to 1900 MHz).



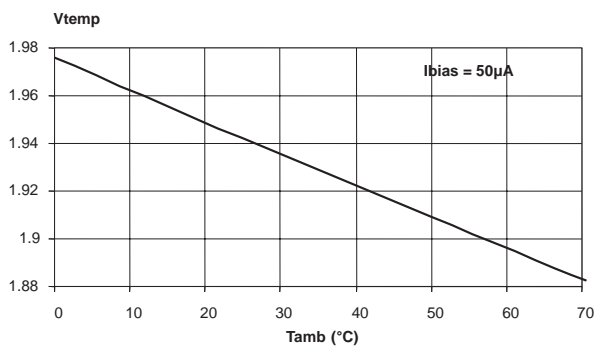
**Fig. 5:** Temperature effect measurement circuit on  $V_{DCout}$ .



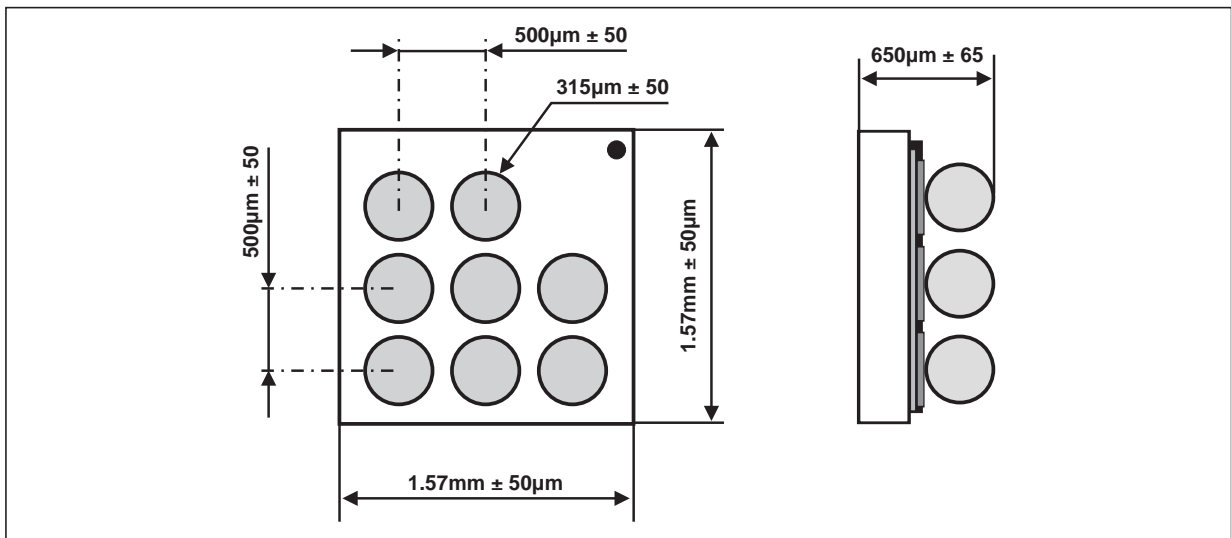
**Fig. 6:**  $V_{temp}$  measurement circuit.



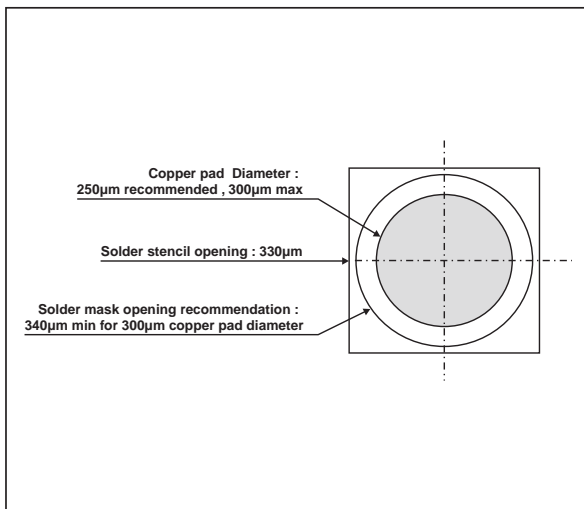
**Fig. 7:**  $V_{temp}$  output voltage versus ambient temperature.



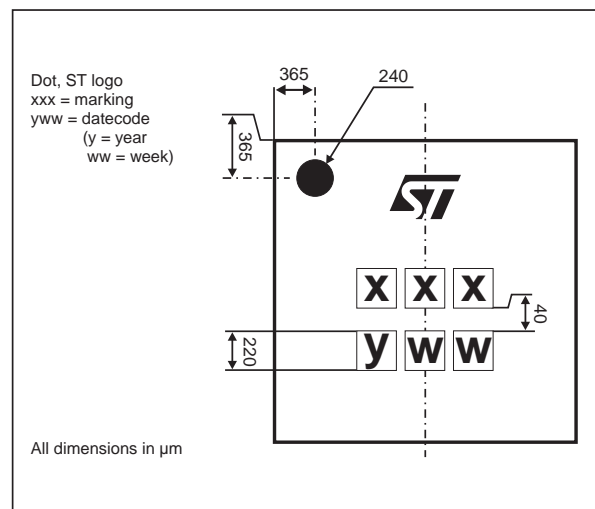
PACKAGE MECHANICAL DATA



FOOT PRINT RECOMMENDATIONS

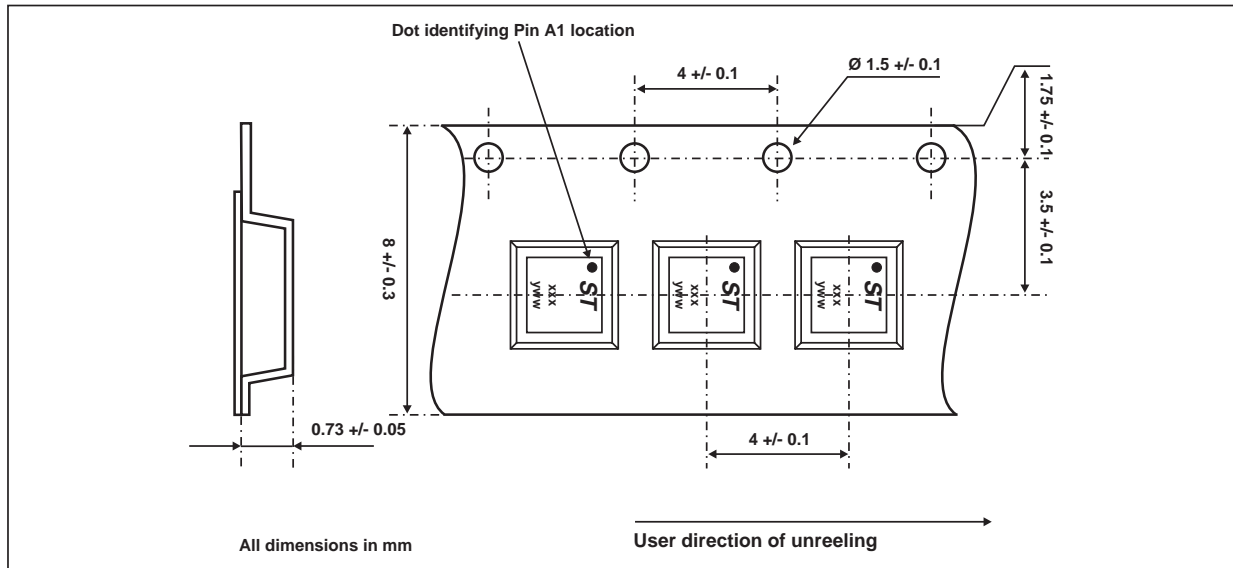


MARKING



# STPAC01F1

## FLIP-CHIP TAPE AND REEL SPECIFICATION



## OTHER INFORMATION

Ordering code	Marking	Package	Weight	Base qty	Delivery mode
STPAC01F1	RAT	Flip-Chip	3.3 mg	5000	Tape & reel

**Note:** More packing informations are available in the application note AN1235: "Flip-Chip: Package description and recommendations for use"

Information furnished is believed to be accurate and reliable. However, STMicroelectronics assumes no responsibility for the consequences of use of such information nor for any infringement of patents or other rights of third parties which may result from its use. No license is granted by implication or otherwise under any patent or patent rights of STMicroelectronics. Specifications mentioned in this publication are subject to change without notice. This publication supersedes and replaces all information previously supplied. STMicroelectronics products are not authorized for use as critical components in life support devices or systems without express written approval of STMicroelectronics.

The ST logo is a registered trademark of STMicroelectronics  
 © 2003 STMicroelectronics - Printed in Italy - All rights reserved.  
 STMicroelectronics GROUP OF COMPANIES  
 Australia - Brazil - Canada - China - Finland - France - Germany  
 Hong Kong - India - Israel - Italy - Japan - Malaysia - Malta - Morocco - Singapore  
 Spain - Sweden - Switzerland - United Kingdom - United States.

<http://www.st.com>