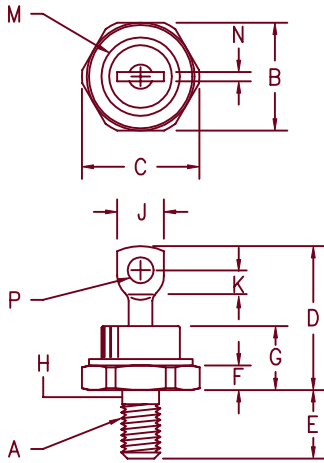


SuperSoft™ Recovery Rectifiers SSUR71



Notes:

1. Full threads within 2 1/2 threads
2. Standard Polarity: Stud is Cathode
Reverse Polarity: Stud is Anode

Dim.	Inches		Millimeter		Notes
	Minimum	Maximum	Minimum	Maximum	
A		1/4-28 UNF 3A			1
B	.667	.687	16.94	17.45	
C	---	.793	---	20.14	
D	---	1.00	---	25.40	
E	.422	.453	10.72	11.51	
F	.115	.200	2.92	5.08	
G	---	.450	---	11.43	
H	.220	.249	5.59	6.32	2
J	.250	.375	6.35	9.52	
K	.140	---	3.56	---	
M	---	.667	---	16.94	Dia
N	---	.080	---	2.03	
P	.140	.175	3.56	4.44	Dia

D0203AB (D05)

Microsemi Catalog Number	Working Peak Reverse Voltage	Peak Reverse Voltage
SSUR7140*	400V	400V
SSUR7160*	600V	600V

*Add Suffix R For Reverse Polarity

- Soft Recovery Ultra Fast Rectifier
- High Reliability
- 175°C Junction Temperature
- 70 Amps current rating
- V_{RRM} 400 to 600 Volts
- t_{RR} 70 nsec maximum
- Low Forward Voltage
- Low Loss/Low Noise

Electrical Characteristics

Average forward current	$I_F(AV)$ 70 Amps	Square wave, $R_{\theta JC} = 0.7^\circ C/W$, $T_C = 115^\circ C$
Maximum surge current	I_{FSM} 800 Amps	8.3 ms, half sine, $T_J = 175^\circ C$
Max peak forward voltage	V_{FM} 1.65 Volts	$I_{FM} = 70A$: $T_J = 25^\circ C$ *
Max reverse recovery time	t_{RR} 70 ns	$I_F = 1A$, $V_R = 30V$, $di/dt = 50A/\mu S$
Max peak reverse current	I_{RM} 3 mA	V_{RRM} , $T_J = 125^\circ C$
Max peak reverse current	I_{RM} 25 μA	V_{RRM} , $T_J = 25^\circ C$
Typical Junction Capacitance	C_J 300 pF	$V_R = 10V$, $f = 1Mhz$, $T_J = 25^\circ C$

*Pulse test: Pulse width 300 μsec , Duty cycle 2%

Thermal and Mechanical Characteristics

Storage temp range	T_{STG}	-65°C to 175°C
Operating junction temp range	T_J	-65°C to 175°C
Max thermal resistance	$R_{\theta JC}$	0.7°C/W Junction to case
Mounting torque		25-30 inch pounds
Weight		.52 ounces (14.7 grams) typical

SSUR71

Figure 1
Typical Forward Characteristics

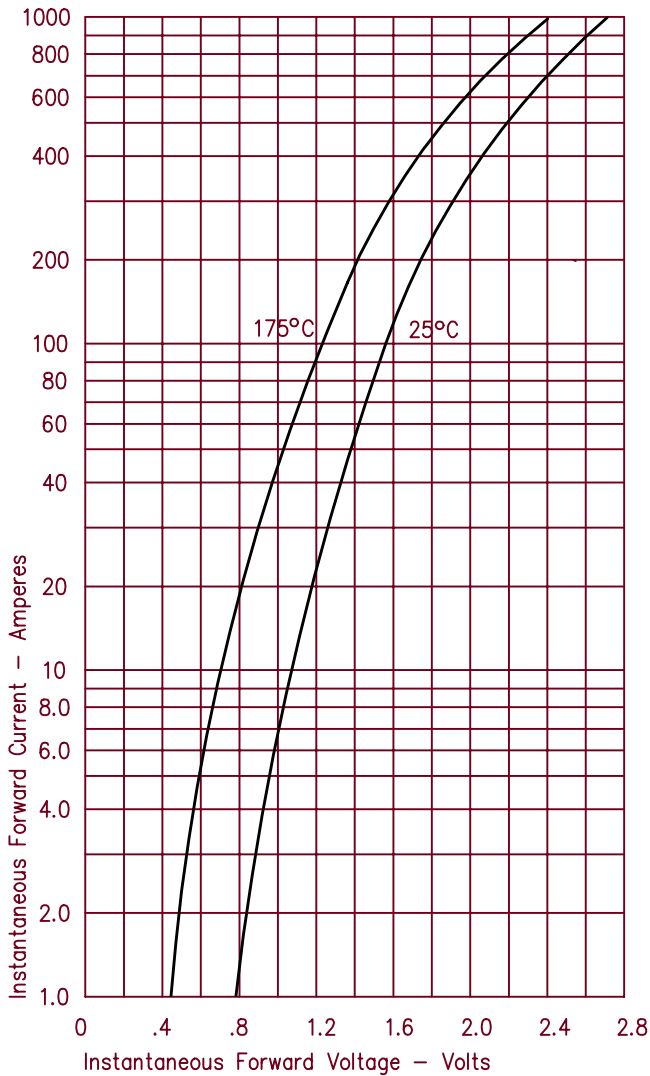


Figure 3
Typical Junction Capacitance

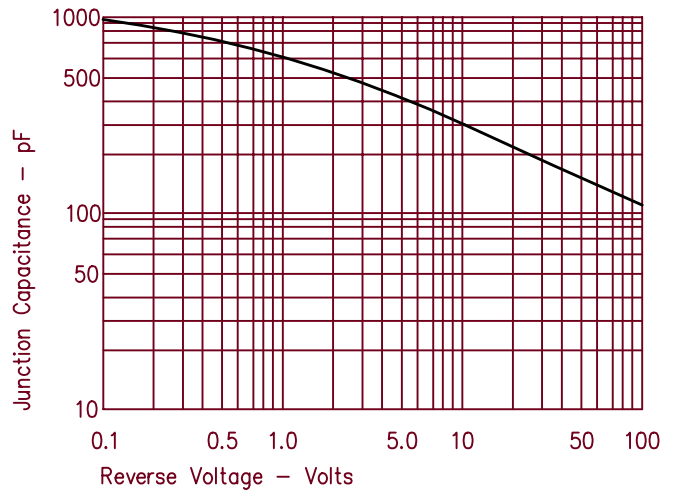


Figure 4
Forward Current Derating

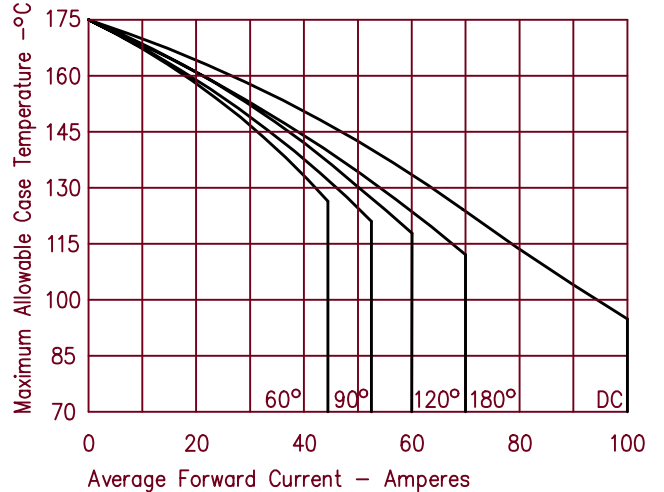


Figure 2
Typical Reverse Characteristics

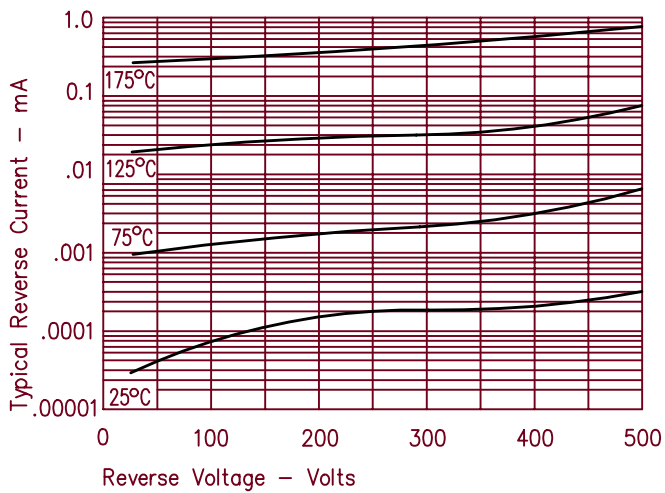


Figure 5
Maximum Forward Power Dissipation

