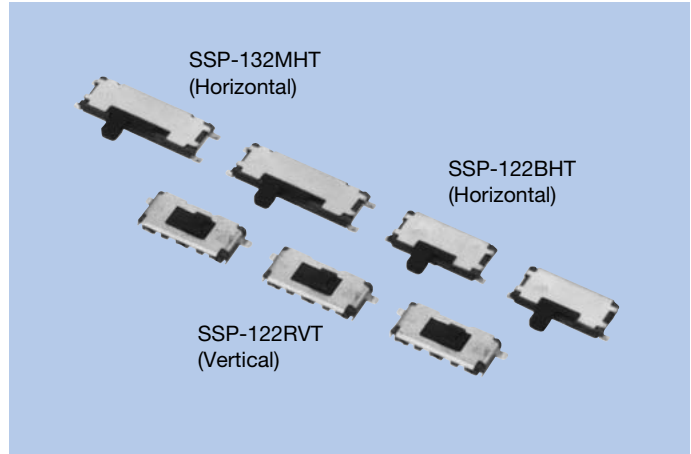


H=1mm Paper Slide Switches SSP Series

FEATURES

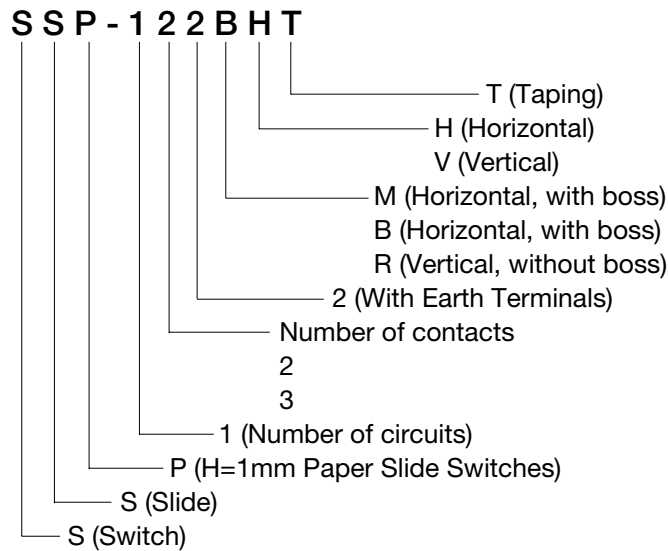
1. Super thin 1mm (horizontal), 1.08mm (vertical) in height.
2. SMT type and reflow-soldering for surface mounting.
3. Taped packaging for automatic mounting.
4. 2 types. 1-circuit, 2-contacts (SSP-122***), 1-circuit, 3-contacts (SSP-132MHT).
5. Changeover timing is not specified.



USES

1. Function selector switches for portable audios, radios, LCD TV sets, video cameras, and such.
2. Write protect switches for memory cards.

MODEL NAME CODE



SPECIFICATIONS

Electrical Characteristics	Rating	0.3A, 4V DC
	Contact Resistance	200mΩ or less
	Insulation Resistance	100MΩ or more
Mechanical Characteristics	Withstand Voltage	1 minute at 100V AC
	Operating Force	1.47 ± 1N (150 ± 100gf)
Life		Horizontal 10,000cycles
		Vertical 6,000cycles

