

COMMERCIAL SIGNAL PROCESSING RF COMPONENTS

DESCRIPTION

The SPM6-2200H is a low cost, double balanced mixer offering excellent performance to 2200 MHz in a miniature package. The performance/cost ratio of this mixer makes the application of advanced mixer technology available to equipment designers who previously were cost-restricted to compromise designs.

SPECIFICATIONS

PARAMETER	MIN.	TYP.	MAX.	UNITS
Frequency Range, L-Port	10		2200	MHz
Frequency Range, R-Port	10		2200	MHz
Frequency Range, X-Port	5		2000	MHz
LO Power Range		+17		dBm
Temperature Range	-40		+85	°C
Conversion Loss*		6.0	8.5	dB
Isolation LO - RF	20	30		dB
Isolation LO - IF	20	30		dB
Isolation RF - IF	19	25		dB
Input IP3		+26		dBm

*X = 100 MHz, LO > RF

PACKAGE

COVER MATERIAL:

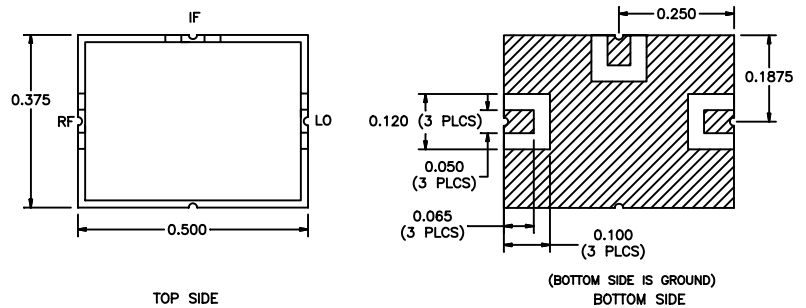
Plastic

ALL DIMENSIONS ARE IN INCHES.

BASE MATERIAL:

FR-4

Note: All half via contacts are plated through from the pad on the top side to the pad on the bottom side of the board.



Pinout Chart	
Pin	Function
1	RF Port
2	IF Port
3	LO Port

TOLERANCES:
 .XX = ±.01
 .XXX = ±.005