



Solid State Devices, Inc.

14701 Firestone Blvd * La Mirada, Ca 90638
 Phone: (562) 404-7855 * Fax: (562) 404-1773
 ssdi@ssdi-power.com * www.ssdi-power.com

SPA560 Series

**22A / 600-1000V
 THREE PHASE BRIDGE
 RECTIFIER ASSEMBLY
 ULTRA FAST – 70 ns**

DESIGNER'S DATA SHEET

Part Number / Ordering Information ^{1/}

SPA560

┌ Screening ^{2/}

├── = Not Screened

│ TX = TX Level

│ TXV = TXV Level

│ S = S Level

└── Lead Bend

 ── = Straight Leads

 UB = Up Bend

 DB = Down Bend

└── Voltage/Family

 J = 600 V

 K = 800 V

 M = 1000 V

- Features:**
- Higher Blocking Voltage Available. Contact Factory.
 - Average Output Current 22 Amps
 - Low Reverse Leakage Current
 - Constructed with Void-free, Hermetically Sealed Discretes
 - Aluminum Case for Maximum Thermal Conductivity
 - Small Package Size (0.89 x 0.89 x 0.39")
 - TX and TXV & S Level Screening Available
 - Superior Replacement for Sensitron S455DC, S455FC, & S455GC
 - Standard, Fast, & Hyper Fast Versions Available. Contact Factory.

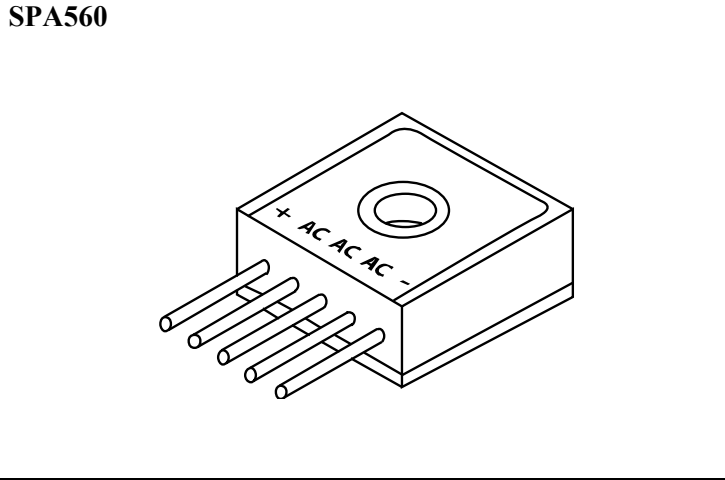
Maximum Ratings ^{3/}		Symbol	Value	Units
Peak Inverse Voltage	SPA560J	PIV	600	Volts
	SPA560K		800	
	SPA560M		1000	
Average Rectified Output Current (T _C = Case Temperature)	T _C = 55°C	I _{O1}	22	Amps
	T _C = 100°C	I _{O2}	15	
Peak Surge Current (8.3 ms Pulse, Half Sine Wave, Superimposed on Rated Load)		I _{FSM}	125	Amps
Operating & Storage Temperature		T _{op} & T _{stg}	-55 to +150	°C
Maximum Thermal Resistance, Junction to Case		R _{θJC}	1.25	°C/W

Notes:

^{1/} For Ordering Information, Price, and Availability Contact Factory.

^{2/} Screened to MIL-PRF-19500.

^{3/} Unless Otherwise Specified, All Maximum Ratings/Electrical Characteristics @25°C.





Solid State Devices, Inc.

14701 Firestone Blvd * La Mirada, Ca 90638
 Phone: (562) 404-4474 * Fax: (562) 404-1773
 ssdi@ssdi-power.com * www.ssdi-power.com

SPA560 Series

Electrical Characteristic ^{3/}		Symbol	Min	Typ	Max	Units
Maximum Forward Voltage Per Leg (T _A = 25°C, pulsed)	I _F = 3A I _F = 9A	V _{F1} V _{F2}	—	—	1.40 1.75	Volts
Reverse Leakage Current (Rated PIV, T _A = 25°C)		I _{R1}	—	—	10	μA
Reverse Leakage Current (Rated PIV, T _A = 100°C)		I _{R2}	—	—	250	μA
Isolation Resistance	1500V	R _{ISO}	—	—	10	MΩ
Reverse Recovery Time (I _F = 500 mA, I _R = 1 A, I _{RR} = 250 mA T _A = 25°C (Measured on discrete rectifiers prior to assembly)		trr	—	—	70	ns

NOTES:
 1/ For Ordering Information, Price, and Availability Contact Factory.
 2/ Screened to MIL-PRF-19500.
 3/ Unless Otherwise Specified, All Maximum Ratings/Electrical Characteristics @25°C.

